

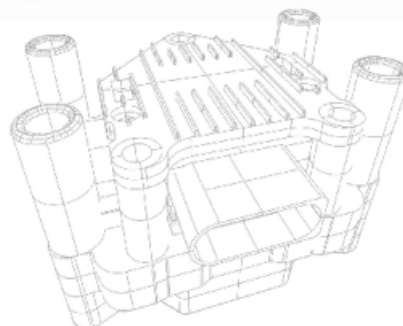
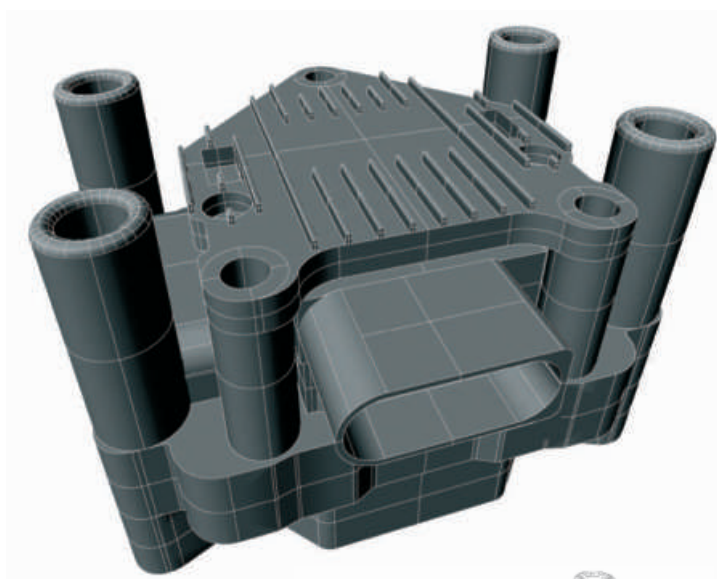
Ignition coils - finder



TESLA

Ignition coils

Катушки зажигания
Zapalovací cívky



IGNITION
technology

TESLA BLATNÁ, a.s.
Czech Republic

www.tesla-blatna.cz



Ignition coils - content

Катушки зажигания - содержание

Zapalovací cívky - obsah

A

S

R

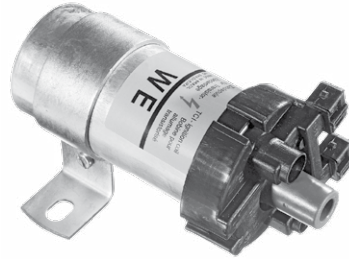
Assortment of ignition coils
Ассортимент катушек зажигания
Sortiment zapalovacích cívek

Cylindric coils
Цилиндрические катушки
Válcové cívky

TESLA marking / *example of application*
Обозначение TESLA / *пример применения*
Typové označení TESLA / *příklad použití*

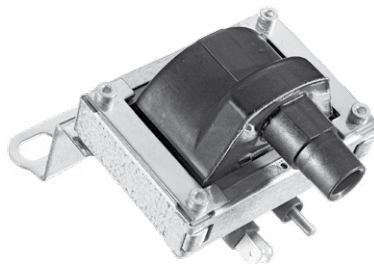


CL012
Skoda



CL 208
Saab

Single outlet coils
Одновыводные катушки
Jednovývodové cívky

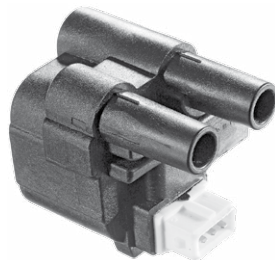


CL228
Opel

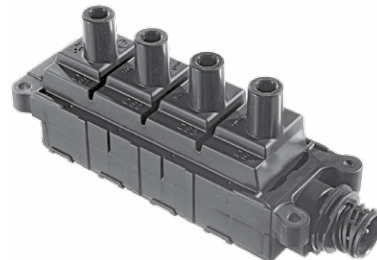


CL500
*Honda
Rover*

Multi-outlet coils
Двух-, Четырехвыводные катушки
Vícevývodové cívky



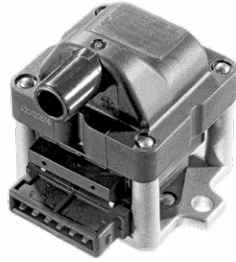
CL102
Renault



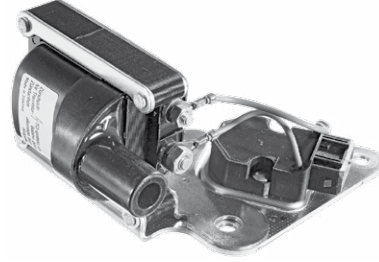
CL615
BMW

Coil & module
Катушка и модуль зажигания
Zapalovací cívka a modul zapalování

TESLA marking / *example of application*
Обозначение TESLA / *пример применения*
Typové označení TESLA / *příklad použití*



CL019
Seat
VW



CL119
Volvo

Pencil coils
Прямые (туžkové) cívky
Индивидуальные катушки

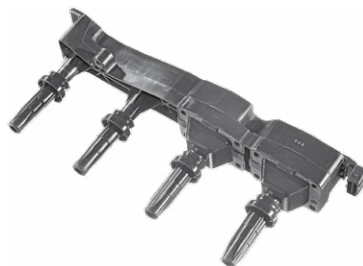


CL405
Ford



CL510
Nissan

Rail coils
Блоки индивидуальных катушек
Zapalovací lišty



CL127
Citroen
Peugeot



CL610
Mercedes



IGNITION COILS

Application of ignition coils - cars

Применение катушек зажигания - легковые автомобили

Použití zapalovacích cívek - osobní automobily

Designations and abbreviations used
Использованные термины и сокращения
Použité názvy a zkratky

Application of ignition coils - cars
 Применение катушек зажигания - легковые автомобили
 Použití zapalovacích cívek - osobní automobily

CAR	MODEL	YEAR	kW	ccm	CYL	MOTOR	COIL TYPE	PAGE
ALFA ROMEO								
145 (930)	1.4 i.e.	07.94 - 12.96	66	1351	4	AR 33501	CL300	PCL300
	1.4 i.e. 16V.T.S.	12.96 - 01.01	76	1370	4	AR 33503/AR 38501	CL305	PCL305
							CL306	PCL306
	1.6 i.e.	10.94 - 12.96	76	1596	4	AR 33201	CL319	PCL319

CAR	car / van make and model (body design) марка и модель автомобиля (тип кузова) značka a model osobního (užitkového) automobilu (typ karoserie)
MODEL	model specification (engine capacity in l) тип модели - объём двигателя в литрах specifikace modelu (objem motoru v l)
	cat catalysator Mot. No. engine No. ch.No. chassis No. carb carburettor № двигателя шасси № Kompr. Kompressor číslo motoru číslo podvozku T.S. Twin Spark
YEAR	year of production год производства rok výroby
kW	engine power (kW) мощность двигателя (kW) výkon a objem motoru (kW)
ccm	engine capacity (cm ³) объём двигателя (cm ³) objem motoru (cm ³)
CYL	number of engine cylinders к-во цилиндров двигателя počet válců motoru
MOTOR	type of engine тип двигателя typ motoru
COIL TYPE	catalogue number of TESLA ignition coil заказной номер катушки зажигания TESLA objednací číslo zapalovací cívky TESLA
PAGE	page number with description of coil номер страницы с фотографией катушки číslo stránky s obrázkem cívky

CAR	MODEL	YEAR	KW	CCM	CYL	MOTOR	COIL TYPE	PAGE	
ACURA									
Integra	1.6	01.85 - 12.90	74	1590	4		CL500	137	
	1.6i	01.85 - 12.90	88	1590	4		CL500	137	
Integra Coupe	1.6	01.85 - 12.90	74	1590	4		CL500	137	
	1.6i	01.85 - 12.90	88	1590	4		CL500	137	
Integra Sedan	1.6	01.85 - 12.90	74	1590	4		CL500	137	
	1.6i	01.85 - 12.90	88	1590	4		CL500	137	
ALFA ROMEO									
145 (930)	1.4 i.e.	07.94 - 12.96	66	1351	4	AR 33501	CL300	125	
	1.4 i.e. 16V T.S.	12.96 - 01.01	76	1370	4	AR 33503/AR 38501	CL305	128	
							CL306	128	
	1.6 i.e.	10.94 - 12.96	76	1596	4	AR 33201	CL319	132	
	1.6 i.e. 16V T.S.	12.96 - 01.01	88	1598	4	AR 67601/AR 38201	CL305	128	
							CL306	128	
	1.7 i.e. 16V	10.94 - 12.96	95	1712	4	AR 33401	CL319	132	
	1.8 i.e. 16V T.S.	12.96 - 12.98	103	1747	4	AR 38401/AR 67106	CL306	128	
	1.8 i.e. 16V	03.98 - 01.01	106	1747	4	AR 32201	CL305	128	
	2.0 16V Quadrifoglio	03.98 - 01.01	114	1970	4	AR 32301	CL305	128	
	2.0 16V T.S.	10.95 - 01.01	110	1970	4	AR 67204	CL306	128	
	146 (930)	1.4 i.e.	12.94 - 12.96	66	1351	4	AR 33501	CL300	125
		1.4 i.e. 16V T.S.	11.96 - 01.01	76	1370	4	AR 33503/AR 38501	CL305	128
								CL306	128
1.6 i.e.		12.94 - 12.96	76	1596	4	AR 33201	CL319	132	
1.6 i.e. 16V T.S.		11.96 - 01.01	88	1598	4	AR 67601/AR 38201	CL305	128	
							CL306	128	
1.7 i.e. 16V		12.94 - 12.96	95	1712	4	AR 33401	CL319	132	
1.8 i.e. 16V T.S.		11.96 - 01.01	103	1747	4	AR 38401/AR 67106	CL306	128	
1.8 i.e. 16V T.S.		03.98 - 01.01	106	1747	4	AR 32201	CL305	128	
2.0 16V Quadrifoglio		03.98 - 01.01	114	1970	4	AR 32301	CL305	128	
2.0 16V T.S.		10.95 - 01.01	110	1970	4	AR 67204	CL306	128	
147 (937)		1.6 16V T.S.	01.01 -	88	1598	4	AR 32104	CL307	128
		1.6 16V T.S. Eco	01.01 -	77	1598	4	AR 37203	CL307	128
		2.0 16V T.S.	01.01 -	110	1970	4	AR 32310	CL307	128
	3.2 GTA	02.03 -	184	3179	6	932 A.000	CL320	132	
	155 (167)	1.6 16V T.S.	05.96 - 12.97	88	1598	4	AR 67601	CL306	128
		1.7 16V T.S.	05.96 - 12.97	103	1747	4	AR 67106	CL306	128
		1.7 T.S.	04.93 - 04.96	83	1748	4	AR 67103	CL302	126
1.7 T.S.		04.93 - 04.96	85	1748	4	AR 67105	CL302	126	
1.8 T.S.		01.92 - 12.96	93	1773	4	AR 67101/AR 67102	CL302	126	
1.8 T.S.		02.92 - 06.93	95	1773	4	AR 67101	CL302	126	
2.0 16V T.S.		03.95 - 12.97	110	1970	4	AR 67204	CL306	128	
2.0 16V Turbo Q4		01.92 - 12.97	137	1995	4	AR 67203	CL300	125	
2.0 16V Turbo Q4		01.92 - 12.97	140	1995	4	AR 67203	CL300	125	
2.0 T.S.		02.92 - 02.95	104	1995	4	AR 67202	CL302	126	
2.0 T.S.	02.92 - 04.93	106	1995	4	AR 67201	CL302	126		
156 (932)	1.6 16V T.S.	09.97 - 09.05	88	1598	4	AR 32102/32103/32104/ 67601	CL306	128	
							CL307	128	
	1.8 16V T.S.	09.97 - 10.00	106	1747	4	AR 32201	CL305	128	
	1.8 16V T.S.	10.00 - 09.05	103	1747	4	AR 32205	CL307	128	
	2.0 16V T.S.	09.97 - 10.00	114	1970	4	AR 32301	CL305	128	
	2.0 16V T.S.	10.00 - 03.02	110	1970	4	AR 32310	CL307	128	
	2.0 JTS	03.02 - 09.05	122	1970	4	937 A1.000	CL321	132	
	2.5 V6 24V	09.97 - 10.00	140	2492	6	AR 32401	CL320	132	
	2.5 V6 24V	10.00 - 09.05	141	2492	6	AR 32405	CL320	132	
	3.2 GTA	03.02 - 09.05	184	3179	6	932 A.000	CL320	132	
	156 Sportwagon (932)	1.6 16V T.S.	05.00 - 05.06	88	1598	4	AR 32102/32103/32104/ 67601	CL306	128
								CL307	128
		1.8 16V T.S.	05.00 - 10.00	106	1747	4	AR 32201	CL307	128
		1.8 16V T.S.	10.00 - 05.06	103	1747	4	AR 32205	CL307	128
2.0 16V T.S.		05.00 - 10.00	114	1970	4	AR 32301	CL307	128	
2.0 16V T.S.		10.00 - 03.02	110	1970	4	AR 32310	CL307	128	

CAR	MODEL	YEAR	KW	CCM	CYL	MOTOR	COIL TYPE	PAGE
ALFA ROMEO								
156 Sportwagon (932)	2.0 JTS	03.02 - 05.06	122	1970	4	937 A1.000	CL321	132
	2.5V6 24V	05.00 - 10.00	140	2492	6	AR 32401	CL320	132
	2.5V6 24V	10.00 - 05.06	141	2492	6	AR 32405	CL320	132
	3.2 GTA	03.02 - 05.06	184	3179	6	932 A.000	CL320	132
159	1.8 MPI	03.07 -	103	1796	4	939 A4.000	CL221	123
	1.9 JTS	09.05 -	118	1859	4	939 A6.000	CL321	132
159 Sportwagon	1.8 MPI	03.07 -	103	1796	4	939 A4.000	CL221	123
164 (164)	2.0 T.S.	09.92 - 09.98	106	1995	4	AR 64103	CL302	126
	2.0 T.S.	06.87 - 12.90	109	1995	4	AR 06420	CL302	126
	3.0 24V	09.92 - 09.98	155	2959	6	AR 66301/AR 66302	CL320	132
	3.0 24V Q4	02.94 - 09.98	170	2959	6	AR 64308/AR 64307	CL320	132
	3.0 24V QV	09.92 - 09.98	171	2959	6	AR 64304	CL320	132
166 (936)	2.0 T.S.	09.98 - 10.00	114	1970	4	AR 34103	CL305	128
	2.0 T.S.	10.00 -	110	1970	4	AR 36301	CL307	128
	2.5V6 24V	09.98 - 10.00	140	2492	6	AR 34201	CL320	132
	2.5V6 24V	10.00 -	138	2492	6	AR 36201	CL320	132
	3.0V6 24V	09.98 - 10.00	166	2959	6	AR 34301	CL320	132
	3.0V6 24V	10.00 -	162	2959	6	AR 36101	CL320	132
	3.2V6 24V	10.03 -	176	3179	6	936 A.000	CL320	132
	33 (907A)	1.4 i.e.	06.91 - 09.94	65	1351	4	AR 30755/AR 30753	CL300
1.4 i.e.		06.91 - 09.94	66	1351	4	AR 30755/AR 30753	CL300	125
1.5 i.e.		01.90 - 09.94	71	1490	4	AR 30751	CL319	132
33 Sport Wagon (907B)	1.4 i.e.	06.91 - 09.94	65	1351	4	AR 30755	CL300	125
	1.4 i.e.	06.91 - 09.94	66	1351	4	AR 30755	CL300	125
	1.4 i.e. 4x4	06.91 - 09.94	66	1351	4	AR 30587/AR 30755	CL300	125
	1.5 i.e.	01.90 - 09.94	71	1490	4	AR 30751	CL319	132
GT	1.8 TS	11.03 -	103	1747	4	AR 32205	CL307	128
	2.0 JTS	11.03 -	121	1970	4	932 A2.000/937 A1.000	CL321	132
	3.2 GTA	11.03 -	176	3179	6	936 A.000	CL320	132
GTV (916C_)	1.8 16V	05.98 -	106	1747	4	AR 32201	CL305	128
	2.0 16V T.S.	06.95 -	110	1970	4	AR 16201/AR 32310	CL305	128
	2.0 JTS	04.03 -	121	1970	4	937 A1.000	CL321	132
	3.0V6 24V	10.96 - 10.00	162	2959	6	AR 16102	CL320	132
	3.0V6 24V	10.00 -	160	2959	6	AR 16105	CL320	132
	3.2V6 24V	04.03 -	176	3179	6	936 A6.000	CL320	132
Spider (916S_)	1.8 16V	05.98 - 04.05	106	1747	4	AR 32201	CL305	128
	2.0 16V T.S.	06.95 - 04.05	110	1970	4	AR 16201/AR 32310	CL305	128
							CL306	128
							CL307	128
	2.0 16V T.S.	05.98 - 08.00	114	1970	4	AR 32301	CL305	128
	2.0 JTS	04.03 - 04.05	121	1970	4	937 A1.000	CL321	132
	3.0V6	10.00 - 04.05	160	2959	6	AR 16105	CL320	132
3.2V6 24V	04.03 - 04.05	176	3179	6	936 A6.000	CL320	132	
AUDI								
100 (4A, C4)	2.0	12.90 - 06.94	74	1984	4	AAE	CL001	89
100 Combi (4A, C4)	2.0 E	09.91 - 06.94	74	1984	4	AAE	CL001	89
80 (8C, B4)	1.6	09.91 - 12.94	52	1595	4	ABM	CL001	89
	2.0	09.91 - 12.94	66	1984	4	ABT	CL001	89
	2.0 E	09.91 - 12.94	85	1984	4	ABK	CL001	89
	2.3 E	09.91 - 12.94	98	2309	5	NG	CL001	89
	80 Combi (8C, B4)	2.0	07.92 - 01.96	66	1984	4	ABT	CL001
2.0 E		07.92 - 01.96	85	1984	4	ABK	CL001	89
							CL019	98
A2 (8Z0)	1.4	02.00 - 08.05	55	1390	4	AUA	CL002	90
	1.4	02.00 - 08.05	55	1390	4	BBY	CL003	92
	1.6 FSI	05.02 - 08.05	81	1598	4	BAD	CL003	92
A3 (8L1)	1.6	09.96 - 08.00	74	1595	4	AKL/APF/AEH	CL002	90
	1.6	08.00 -	75	1595	4	AVU/BFQ	CL002	90
	1.8	09.96 -	92	1781	4	AGN/APG	CL002	90
	1.8 quattro	08.98 -	92	1781	4	AGN	CL002	90

CAR	MODEL	YEAR	kW	ccm	CYL	MOTOR	COIL TYPE	PAGE
AUDI								
A3 (8L1)	1.8 T	12.98 -	132	1781	4	AJQ/APP	CL005	93
	1.8 T	12.96 -	110	1781	4	ARZ/AQA/AGU/AUM	CL014	96
	1.8 T	12.98 -	132	1781	4	ARY/AUQ	CL014	96
	1.8 T quattro	12.96 -	110	1781	4	AGU	CL004	93
	1.8 T quattro	12.96 - 07.98	110	1781	4	ARX	CL005	93
	1.8 T quattro	08.98 - 04.01	110	1781	4	AQA	CL014	96
	1.8 T quattro	10.98 -	132	1781	4	AJQ/ARY	CL014	96
	S3 1.8 quattro	03.99 -	154	1781	4	AMK/APY	CL005	93
	S3 1.8 quattro	10.01 -	165	1781	4	BAM	CL005	93
A3 (8P1)	1.6	05.03 -	75	1595	4	BGU/CCSA/BSF/BSE	CL002	90
	1.6 FSI	08.03 -	85	1598	4	BLF/BLP/BAG	CL003	92
	2.0 TFSI	09.04 -	147	1984	4	BWA/AXX/CAWB	CL011	95
	2.0 TFSI quattro	09.04 -	147	1984	4	BWA/AXX	CL011	95
	3.2 V6 quattro	07.03 -	184	3189	6	BDB/BMJ/BUB	CL016	97
A3 Sportback (8PA)	1.6	09.04 -	75	1595	4	BGU/CCSA/BSF/BSE	CL002	90
	1.6 FSI	09.04 -	85	1598	4	BLF/BLP	CL003	92
	2.0 TFSI	09.04 -	147	1984	4	BWA/AXX/CAWB	CL011	95
	2.0 TFSI quattro	09.04 -	147	1984	4	BWA/AXX	CL011	95
	3.2 V6 quattro	09.04 -	184	3189	6	BMJ/BUB	CL016	97
A4 (8D2, B5)	1.6	01.95 - 07.00	74	1595	4	AHL/ADP/ARM/ANA	CL002	90
	1.6	07.00 - 11.00	75	1595	4	ALZ	CL002	90
	1.8	01.95 - 11.00	92	1781	4	AVV/ADR/APT/ARG	CL028	100
	1.8 quattro	01.95 - 11.00	92	1781	4	ADR/APT/ARG	CL028	100
	1.8 T	01.95 - 11.00	110	1781	4	ARK/AEB/ANB/APU	CL004	93
	1.8 T	01.95 - 11.00	110	1781	4	AWT	CL005	93
	1.8 T	12.97 - 11.00	132	1781	4	AJL	CL004	93
	1.8 T quattro	01.95 - 11.00	110	1781	4	ARK/AEB/ANB/APU	CL004	93
	1.8 T quattro	01.95 - 11.00	110	1781	4	AWT	CL005	93
	1.8 T quattro	12.97 - 11.00	132	1781	4	AJL	CL004	93
	2.4	03.97 - 11.00	121	2393	6	AML/ARJ/ALF/AGA/APS	CL006	94
	2.4 quattro	03.97 - 11.00	121	2393	6	AML/ARJ/ALF/AGA/APS	CL006	94
	2.6	01.95 - 11.00	110	2598	6	ABC	CL006	94
	2.6 quattro	01.95 - 11.00	110	2598	6	ABC	CL026	100
	2.6 quattro	01.95 - 11.00	110	2598	6	ABC	CL006	94
	2.6 quattro	01.95 - 11.00	110	2598	6	ABC	CL026	100
	2.8	09.95 - 07.97	128	2771	6	AAH	CL026	100
	2.8	10.96 - 11.00	142	2771	6	APR/ACK/ALG/AQD/AMX	CL006	94
	2.8 quattro	01.95 - 07.97	128	2771	6	AAH	CL026	100
	2.8 quattro	10.96 - 11.00	142	2771	6	APR/ACK/ALG/AQD/AMX	CL006	94
S4 2.7 quattro	09.97 - 11.00	195	2671	6	AGB/AZB	CL004	93	
A4 (8E2, B6)	1.6	11.00 - 12.04	75	1595	4	ALZ	CL002	90
	1.8 T	11.00 - 07.02	110	1781	4	AVJ	CL005	93
	1.8 T	07.02 - 12.04	120	1781	4	BFB/BKB	CL005	93
	1.8 T	11.02 - 12.04	140	1781	4	BEX	CL005	93
	1.8 T quattro	11.00 - 07.02	110	1781	4	AVJ	CL005	93
	1.8 T quattro	07.02 - 12.04	120	1781	4	BFB	CL005	93
	1.8 T quattro	11.02 - 12.04	140	1781	4	BEX	CL005	93
	2.0	11.00 - 12.04	96	1984	4	ALT	CL015	97
	3.0	11.00 - 12.04	162	2976	6	ASN/AVK	CL015	97
	3.0 quattro	11.00 - 12.04	162	2976	6	ASN/AVK	CL015	97
	A4 (8EC)	1.6	11.04 -	75	1595	4	ALZ	CL002
1.8 T		11.04 -	120	1781	4	BFB	CL005	93
1.8 T quattro		11.04 -	120	1781	4	BFB	CL005	93
2.0		11.04 -	96	1984	4	ALT	CL005	93
2.0 TFSI		11.04 -	147	1984	4	BGB/BWE	CL011	95
2.0 TFSI		06.05 -	162	1984	4	BUL	CL011	95
2.0 TFSI quattro		11.04 -	147	1984	4	BGB/BWE	CL011	95
2.0 TFSI quattro		06.05 -	162	1984	4	BUL	CL011	95
3.2 FSI		01.05 -	188	3123	6	AUK	CL015	97
3.2 FSI quattro		01.05 -	188	3123	6	AUK/BKH	CL015	97

CAR	MODEL	YEAR	kW	ccm	CYL	MOTOR	COIL TYPE	PAGE
AUDI								
A4 Avant (8D5, B5)	1.6	03.96 - 07.00	74	1595	4	AHL/ADP/ARM/ANA	CL002	90
	1.6	07.00 - 09.01	75	1595	4	ALZ	CL002	90
	1.8	02.96 - 09.01	92	1781	4	AVV/ADR/APT/ARG	CL028	100
	1.8 quattro	01.96 - 09.01	92	1781	4	ADR/APT/ARG	CL028	100
	1.8T	03.96 - 09.01	110	1781	4	ARK/AEB/ANB/APU	CL004	93
	1.8T	03.96 - 09.01	110	1781	4	AWT	CL005	93
	1.8T	12.97 - 09.01	132	1781	4	AJL	CL004	93
	1.8T quattro	01.96 - 09.01	110	1781	4	ARK/AEB/ANB/APU	CL004	93
	1.8T quattro	01.96 - 09.01	110	1781	4	AWT	CL005	93
	1.8T quattro	12.97 - 09.01	132	1781	4	AJL	CL004	93
	2.4	03.97 - 09.01	121	2393	6	AML/ARJ/ALF/AGA/APS	CL006	94
	2.4 quattro	03.97 - 09.01	121	2393	6	AML/ARJ/ALF/AGA/APS	CL006	94
	2.6	02.96 - 09.01	110	2598	6	ABC	CL006	94
							CL026	100
	2.6 quattro	01.96 - 09.01	110	2598	6	ABC	CL006	94
							CL026	100
	2.8	03.96 - 09.96	128	2771	6	AAH	CL026	100
	2.8	10.96 - 09.01	142	2771	6	APR/ACK/ALG/AQD/AMX	CL006	94
	2.8 quattro	01.96 - 09.96	128	2771	6	AAH	CL026	100
	2.8 quattro	10.96 - 09.01	142	2771	6	APR/ACK/ALG/AQD/AMX	CL006	94
	RS4 2.7 quattro	05.00 - 09.01	280	2671	6	AZR/ASJ	CL004	93
	S4 2.7 quattro	09.97 - 09.01	195	2671	6	AGB/AZB	CL004	93
	A4 Avant (8E5, B6)	1.6	09.01 - 12.04	75	1595	4	ALZ	CL002
1.8T		09.01 - 07.02	110	1781	4	AVJ	CL005	93
1.8T		07.02 - 12.04	120	1781	4	BFB	CL005	93
1.8T		11.02 - 12.04	140	1781	4	BEX	CL005	93
1.8T quattro		09.01 - 07.02	110	1781	4	AVJ	CL005	93
1.8T quattro		07.02 - 12.04	120	1781	4	BFB	CL005	93
1.8T quattro		11.02 - 12.04	140	1781	4	BEX	CL005	93
2.0		09.01 - 12.04	96	1984	4	ALT	CL015	97
3.0		09.01 - 12.04	162	2976	6	ASN	CL015	97
3.0 quattro		09.01 - 12.04	162	2976	6	ASN/AVK	CL015	97
A4 Avant (8ED)	1.6	11.04 -	75	1595	4	ALZ	CL002	90
	1.8T	11.04 -	120	1781	4	BFB	CL005	93
	1.8T quattro	11.04 -	120	1781	4	BFB	CL005	93
	2.0	11.04 -	96	1984	4	ALT	CL005	93
	2.0 TFSI	11.04 -	147	1984	4	BGB/BWE	CL011	95
	2.0 TFSI	06.05 -	162	1984	4	BUL	CL011	95
	2.0 TFSI quattro	11.04 -	147	1984	4	BGB/BWE	CL011	95
	2.0 TFSI quattro	06.05 -	162	1984	4	BUL	CL011	95
	3.2 FSI	01.05 -	188	3123	6	AUK	CL015	97
	3.2 FSI quattro	01.05 -	188	3123	6	AUK	CL015	97
A4 Cabrio (8H7, 8HE)	1.8T	07.02 -	120	1781	4	BFB	CL005	93
	1.8T quattro	05.03 -	120	1781	4	BFB	CL005	93
	2.0 TFSI 16V	01.06 -	147	1984	4	BWE	CL011	95
	3.0	04.02 - 12.05	162	2976	6	ASN	CL015	97
	3.0 quattro	05.03 - 12.05	162	2976	6	ASN	CL015	97
A6 (4A, C4)	1.8	12.95 - 10.97	92	1781	4	ADR	CL028	100
	1.8 quattro	12.95 - 10.97	92	1781	4	ADR	CL028	100
	2.0	06.94 - 10.97	85	1984	4	ABK	CL001	89
	2.8	12.95 - 10.97	142	2771	6	ACK	CL006	94
	2.8	06.94 - 10.97	128	2771	6	AEJ/AAH/AFC	CL026	100
	2.8 quattro	12.95 - 10.97	142	2771	6	ACK	CL006	94
	2.8 quattro	06.94 - 10.97	128	2771	6	AEJ/AAH	CL026	100
	S6 Plus 4.2 quattro	04.96 - 10.97	240	4172	8	AHK	CL004	93
A6 (4B, C5)	1.8	07.97 - 01.05	92	1781	4	ANQ/ARH/AJP/AQE	CL014	96
	1.8T	01.97 - 01.05	110	1781	4	ARK/AEB/ANB/APU	CL004	93
	1.8T	01.97 - 01.05	110	1781	4	AWT	CL005	93
	1.8T	12.97 - 01.05	132	1781	4	AJL	CL004	93
	1.8T quattro	02.97 - 01.05	110	1781	4	ARK/AEB/ANB/APU	CL004	93

CAR	MODEL	YEAR	kW	ccm	CYL	MOTOR	COIL TYPE	PAGE	
AUDI									
A6 (4B, C5)	1.8 T quattro	02.97 - 01.05	110	1781	4	AWT	CL005	93	
	1.8 T quattro	12.97 - 01.05	132	1781	4	AJL	CL004	93	
	2.0	08.01 - 01.05	96	1984	4	ALT	CL015	97	
	2.4	02.97 - 01.05	120	2393	6	AMM/APZ/AJG	CL006	94	
	2.4	02.97 - 01.05	121	2393	6	AML/ARJ/ALF/AGA/APS	CL006	94	
	2.4	07.98 - 01.05	100	2393	6	ARN/ASM/ALW	CL006	94	
	2.4	08.01 - 01.05	125	2393	6	BDV	CL006	94	
	2.4 quattro	02.97 - 01.05	120	2393	6	APZ/AJG	CL006	94	
	2.4 quattro	02.97 - 01.05	121	2393	6	AML/ARJ/ALF/AGA/APS	CL006	94	
	2.4 quattro	08.01 - 01.05	125	2393	6	BDV	CL006	94	
	2.7 T	02.99 - 01.05	169	2671	6	AJK	CL004	93	
	2.7 T quattro	12.97 - 01.05	169	2671	6	AJK	CL004	93	
	2.7 T quattro	08.01 - 01.05	184	2671	6	ARE	CL004	93	
	2.7 T quattro	08.01 - 01.05	184	2671	6	BES	CL005	93	
	2.7 T quattro	08.01 - 01.05	184	2671	6	BES/ARE	CL006	94	
	2.8	02.97 - 01.05	142	2771	6	APR/ACK/ALG/AQD/AMX	CL006	94	
	2.8	10.97 - 07.98	132	2771	6	AGE	CL006	94	
	2.8 quattro	02.97 - 01.05	142	2771	6	APR/ACK/ALG/AQD/AMX	CL006	94	
	2.8 quattro	01.98 - 04.00	132	2771	6	AGE	CL006	94	
	3.0	08.01 - 01.05	162	2976	6	ASN	CL015	97	
	3.0 quattro	08.01 - 01.05	162	2976	6	ASN	CL015	97	
	3.7	03.99 - 01.05	191	3697	8	AQG	CL014	96	
	3.7 quattro	03.99 - 01.05	191	3697	8	AQG	CL014	96	
	4.2 quattro	11.98 - 01.05	220	4172	8	AWN/ARS/ASG	CL014	96	
	S6 4.2 quattro	09.99 - 01.05	250	4172	8	AQJ/ANK	CL014	96	
	A6 (4F2)	2.0 TFSI	06.05 -	125	1984	4	BPJ	CL011	95
		2.4	05.04 - 10.08	130	2393	6	BDW	CL015	97
		2.4 quattro	01.05 - 10.08	130	2393	6	BDW	CL015	97
		3.2 FSI	05.04 - 10.08	188	3123	6	AUK/BKH	CL015	97
		3.2 FSI quattro	05.04 - 10.08	188	3123	6	AUK/BKH	CL015	97
	A6 Avant (4A, C4)	1.8	12.95 - 12.97	92	1781	4	ADR	CL028	100
		1.8 quattro	12.95 - 12.97	92	1781	4	ADR	CL028	100
		2.8	06.94 - 12.97	128	2771	6	AEJ/AAH	CL026	100
2.8		12.95 - 12.97	142	2771	6	ACK	CL006	94	
2.8 quattro		06.94 - 12.97	128	2771	6	AEJ/AAH	CL026	100	
2.8 quattro		12.95 - 12.97	142	2771	6	ACK	CL006	94	
S6 Plus 4.2 quattro		04.96 - 12.97	240	4172	8	AHK	CL004	93	
A6 Avant (4B, C5)	1.8	12.97 - 01.05	92	1781	4	ARH/AJP/AQE	CL014	96	
	1.8 T	12.97 - 01.05	110	1781	4	ARK/AEB/ANB/APU	CL004	93	
	1.8 T	12.97 - 01.05	110	1781	4	AWT	CL005	93	
	1.8 T	04.99 - 01.05	132	1781	4	AJL	CL004	93	
	1.8 T quattro	12.97 - 01.05	110	1781	4	ARK/AEB/ANB/APU	CL004	93	
	1.8 T quattro	12.97 - 01.05	110	1781	4	AWT	CL005	93	
	1.8 T quattro	12.97 - 01.05	110	1781	4	ARK/AEB/ANB/APU/AWT	CL028	100	
	1.8 T quattro	12.97 - 01.05	132	1781	4	AJL	CL004	93	
	2.0	08.01 - 01.05	96	1984	4	ALT	CL015	97	
	2.4	12.97 - 01.05	120	2393	6	AMM/APZ/AJG	CL006	94	
	2.4	12.97 - 01.05	121	2393	6	AML/ARJ/ALF/AGA/APS	CL006	94	
	2.4	07.98 - 01.05	100	2393	6	ARN/ASM/ALW	CL006	94	
	2.4	08.01 - 01.05	125	2393	6	BDV	CL006	94	
	2.4 quattro	12.97 - 01.05	120	2393	6	APZ/AJG	CL006	94	
	2.4 quattro	12.97 - 01.05	121	2393	6	AML/ARJ/ALF/AGA/APS	CL006	94	
	2.4 quattro	08.01 - 01.05	125	2393	6	BDV	CL006	94	
	2.7 T	02.99 - 01.05	169	2671	6	AJK	CL004	93	
	2.7 T quattro	08.01 - 01.05	184	2671	6	ARE	CL004	93	
	2.7 T quattro	08.01 - 01.05	184	2671	6	BES	CL005	93	
	2.8	12.97 - 07.98	132	2771	6	AGE	CL006	94	
	2.8	12.97 - 01.05	142	2771	6	APR/ACK/ALG/AQD/AMX	CL006	94	
	2.8 quattro	12.97 - 01.05	142	2771	6	APR/ACK/ALG/AQD/AMX	CL006	94	
	3.0	08.01 - 01.05	162	2976	6	ASN	CL015	97	

CAR	MODEL	YEAR	kW	ccm	CYL	MOTOR	COIL TYPE	PAGE
AUDI								
A6 Avant (4B, C5)	3.0 quattro	08.01 - 01.05	162	2976	6	ASN	CL015	97
	4.2 quattro	11.98 - 01.05	220	4172	8	AWN/ARS/ASG	CL014	96
	S6 4.2 quattro	09.99 - 01.05	250	4172	8	AQJ/ANK	CL014	96
A6 Avant (4F5)	2.0 TFSI	06.05 -	125	1984	4	BPJ	CL011	95
	2.4	03.05 - 10.08	130	2393	6	BDW	CL015	97
	2.4 quattro	03.05 - 10.08	130	2393	6	BDW	CL015	97
	3.2 FSI	03.05 - 10.08	188	3123	6	AUK	CL015	97
	3.2 FSI quattro	03.05 - 10.08	188	3123	6	AUK	CL015	97
A8 (4D2, 4D8)	2.8	03.94 - 03.96	128	2771	6	AAH	CL026	100
	2.8	07.95 - 03.96	120	2771	6	AEJ	CL026	100
	2.8	04.96 - 09.02	142	2771	6	APR/ACK/ALG/AQD/AMX	CL006	94
	2.8 quattro	03.94 - 03.96	128	2771	6	AAH	CL026	100
	2.8 quattro	07.95 - 03.96	120	2771	6	AEJ	CL026	100
	2.8 quattro	04.96 - 09.02	142	2771	6	APR/ACK/AQD/AMX	CL006	94
	3.7	11.98 - 09.02	191	3697	8	AKC/AQG	CL014	96
	3.7 quattro	11.98 - 09.02	191	3697	8	AKC/AQG	CL014	96
	4.2 quattro	02.99 - 04.00	175	4172	8	ARU	CL014	96
	4.2 quattro	11.98 - 09.02	228	4172	8	AUW/AQF/AUX	CL014	96
	S 8 4.2 quattro	07.96 - 06.99	250	4172	8	AHC/AKH	CL004	93
	S 8 4.2 quattro	06.99 - 09.02	265	4172	8	AQH/AVP	CL014	96
	A8 (4E_)	3.0	08.03 -	162	2976	6	ASN	CL015
Allroad (4BH)	2.7 T quattro	05.00 - 08.05	184	2671	6	ARE	CL004	93
	4.2 V8 quattro	07.02 - 08.05	220	4163	8	BAS	CL017	97
Cabrio (8G7, B4)	1.8	01.97 - 08.00	92	1781	4	ADR	CL028	100
	2.0 E	01.93 - 07.98	85	1984	4	ABK	CL001	89
	2.6	06.93 - 08.00	110	2598	6	ABC	CL006	94
	2.8	11.92 - 08.00	128	2771	6	AAH	CL006	94
Coupe (89, 8B)	2.0	05.89 - 12.96	85	1984	4	ABK/AAD	CL001	89
	2.6	08.92 - 12.96	110	2598	6	ABC	CL006	94
	2.6 quattro	08.92 - 12.96	110	2598	6	ABC	CL006	94
	2.8	09.91 - 12.96	128	2771	6	AAH	CL006	94
	2.8 quattro	08.91 - 12.96	128	2771	6	AAH	CL006	94
Q7 (4L)	4.2 FSI	03.06 -	257	4163	8	BAR	CL015	97
TT (8N3)	1.8 T	10.98 - 06.06	132	1781	4	AJQ/APP	CL014	96
	1.8 T	08.00 - 06.06	132	1781	4	ARY/AUQ	CL005	93
	1.8 T	09.02 - 06.06	110	1781	4	AUM (ch.No. 8N1-1-010001)	CL005	93
	1.8 T	09.02 - 06.06	110	1781	4	AUM	CL014	96
	1.8 T quattro	10.98 - 06.06	132	1781	4	ARY	CL005	93
	1.8 T quattro	10.98 - 06.06	132	1781	4	AJQ	CL014	96
	1.8 T quattro	10.98 - 06.06	165	1781	4	BAM	CL005	93
	1.8 T quattro	10.98 - 06.06	165	1781	4	BAM/APX	CL014	96
	3.2 VR6 quattro	07.03 - 06.06	184	3189	6	BPF/BHE	CL016	97
TT Roadster (8N9)	1.8 T	10.99 - 06.06	132	1781	4	AJQ/APP	CL014	96
	1.8 T	08.00 - 06.06	132	1781	4	APP/AUQ	CL005	93
	1.8 T	01.01 - 06.06	110	1781	4	AUM	CL005	93
	1.8 T quattro	10.99 - 06.06	165	1781	4	BAM/APX	CL005	93
	1.8 T quattro	02.00 - 06.06	132	1781	4	ARY	CL005	93
	3.2 VR6 quattro	07.03 - 06.06	184	3189	6	BPF/BHE	CL016	97
BMW								
116i (E81, E87)	1.6	09.04 -	85	1596	4	N45B 16, -A/ N45B 16 TU2	CL602	154
118i (E81, E87)	2.0	09.04 -	95	1995	4	N42B 20B/ N46B 20	CL602	154
120i (E81, E87)	2.0	09.04 -	110	1995	4	N42B 20A/ N46B 20	CL602	154
125i Cabrio (E88)	3.0	03.08 -	160	2996	6	N53B 30A	CL603	154
125i Coupe (E82)	3.0	10.07 -	160	2996	6	N53B 30A	CL603	154
130i (E81, E87)	3.0	09.05 -	195	2996	6	N52B 30A/ N52B 30	CL603	154
135i Cabrio (E88)	3.0	03.08 -	225	2979	6	N54B 30A	CL603	154
135i Coupe (E82)	3.0	10.07 -	225	2979	6	N54B 30A	CL603	154
316 Ci Coupe (E46)	1.6	04.00 -	77	1596	4	M43B 16 (16 4 E3)	CL615	161
	1.6	06.02 -	85	1596	4	N45B 16A	CL602	154
316 g Compact (E36)	1.6	12.95 - 08.00	75	1596	4		CL615	161

CAR	MODEL	YEAR	kW	ccm	CYL	MOTOR	COIL TYPE	PAGE
BMW								
316 i (E36)	1.6	07.93 - 02.98	75	1596	4	M43B 16	CL615	161
316 i (E46)	1.6	04.00 - 02.05	77	1596	4	M43B 16 (16 4 E3)/ M43B 16	CL615	161
	1.6	06.02 - 02.05	85	1596	4	N45B 16A/ N45B 16	CL602	154
	1.8	02.02 - 02.05	85	1796	4	N42B 18/ N46B 18/ N46B 18A	CL602	154
	1.9	09.98 - 02.05	77	1895	4	M4316 4E3/ M 43B 19TU	CL615	161
316 i Compact (E36)	1.6	03.94 - 08.00	75	1596	4	M43 B16	CL615	161
	1.9	12.98 - 08.00	77	1895	4	M4316 4E3/ M43B 19TU	CL615	161
316 i Coupe (E36)	1.6	09.93 - 04.99	75	1596	4	M43B 16	CL615	161
316 i Touring (E36)	1.6	01.96 - 10.99	75	1596	4	M43B 16	CL615	161
316 i Touring (E46)	1.8	03.02 - 02.05	85	1796	4	N42B 18/ N46B 18/ N46B 18A	CL602	154
316 ti Compact (E46)	1.8	06.01 - 02.05	85	1796	4	N42B 18/ N46B 18A	CL602	154
316i (E90)	1.6	02.06 -	85	1596	4	N45B 16, -A/ N45B 16 TU2	CL602	154
318 Ci Cabrio (E46)	2.0	09.01 -	105	1995	4	N42B 20/ N4 B 20	CL602	154
	2.0	02.05 -	110	1995	4	N46B 20B	CL602	154
318 Ci Coupe (E46)	1.9	11.99 - 09.01	87	1895	4	M43B 19	CL615	161
	2.0	09.01 -	105	1995	4	N42B 20/ N46B 20	CL602	154
	2.0	03.05 -	110	1995	4	N46B 20A	CL602	154
318 i (E36)	1.8	10.93 - 02.98	85	1796	4	M43B 18	CL615	161
318 i (E46)	1.9	02.98 - 09.01	87	1895	4	M43B 19/ M43B 19TU	CL615	161
	2.0	09.01 - 02.05	105	1995	4	N42B 20/ N46B 20/ N46B 20A	CL602	154
318 i Cabrio (E36)	1.8	01.94 - 04.99	85	1796	4	M43B 18	CL615	161
318 i Touring (E36)	1.8	07.95 - 10.99	85	1796	4	M43B 18	CL615	161
	1.9	10.99 - 09.01	87	1895	4	M43B 19/ M43B 19TU	CL615	161
	2.0	09.01 - 02.05	105	1995	4	N42B 20/ N46B 20/ N46B 20A	CL602	154
318 is (E30)	1.8	09.89 - 08.91	100	1796	4	M 42 B 18	CL601	153
318 is (E36)	1.8	03.93 - 09.93	103	1796	4	M 42 B 18	CL601	153
	1.8	03.93 - 09.97	103	1796	4	M 42 B 18	CL615	161
	1.9	09.95 - 02.98	103	1895	4	M 44 B 19	CL615	161
318 is Coupe (E36)	1.8	03.92 - 10.95	103	1796	4	M 42 B 18	CL615	161
	1.9	09.95 - 04.99	103	1895	4	M 44 B 19	CL615	161
318 ti Compact (E36)	1.8	11.94 - 08.95	103	1796	4	M 42 B 18	CL615	161
	1.9	07.95 - 08.00	103	1895	4	M 44 B 19	CL615	161
318 ti Compact (E46)	2.0	09.01 - 02.05	105	1995	4	N42B 20/ N46B 20A	CL602	154
318i (E90)	2.0	09.05 - 03.07	95	1995	4	N46B 20B/ N46B 20	CL602	154
318i Touring (E91)	2.0	01.06 -	95	1995	4	N46B 20B/ N46B 20	CL602	154
320 Ci Cabrio (E46)	2.2	09.00 - 09.02	125	2171	6	M5422 6S1/ M54B 22	CL600	152
	2.2	10.02 -	125	2171	6	M5422 6S1/ M54B 22	CL602	154
320 Ci Coupe (E46)	2.0	08.99 - 09.00	110	1991	6	M52B 20/ M52B (20 6 S4)	CL600	152
	2.2	09.00 - 09.02	125	2171	6	M5422 6S1/ M54B 22	CL600	152
	2.2	10.02 -	125	2171	6	M5422 6S1/ M54B 22	CL602	154
320 i (E30)	2.0	09.90 - 02.98	110	1991	6	M52B 20/ M50B 20TU	CL601	153
320 i (E46)	2.0	03.98 - 09.00	110	1991	6	M52B 20/ M52B (20 6 S3) Vanos	CL600	152
	2.2	09.00 - 09.02	125	2171	6	M5422 6S1/ M54B 22	CL600	152
	2.2	10.02 - 02.05	125	2171	6	M5422 6S1/ M54B 22	CL602	154
320 i Cabrio (E36)	2.0	12.93 - 04.99	110	1991	6	M52B 20/ M50B 20TU	CL601	153
320 i Coupe (E36)	2.0	03.92 - 04.99	110	1991	6	M52B 20/ M50B 20TU	CL600	152
320 i Touring (E36)	2.0	01.95 - 10.99	110	1991	6	M52B 20/ M50B 20TU	CL600	152
320 i Touring (E46)	2.0	10.99 - 09.00	110	1991	6	M52B 20/ M52B (20 6 S3) Vanos	CL600	152
	2.2	09.00 - 09.02	125	2171	6	M5422 6S1/ M54B 22	CL600	152
	2.2	10.02 - 02.05	125	2171	6	M5422 6S1/ M54B 22	CL602	154
320 si (E90)	2.0	05.06 -	127	1997	4	N45B 20A	CL602	154
320i (E90)	2.0	01.05 - 03.07	110	1995	4	N46B 20C/ N46B 20/ N46B 20A	CL602	154
320i Coupe (E92)	2.0	11.06 - 06.07	110	1995	4	N46NB 20B/ N46B 20A	CL602	154
320i Touring (E91)	2.0	09.05 -	110	1995	4	N46B 20C/ N46B 20/ N46B 20A	CL602	154
323 Ci Cabrio (E46)	2.5	04.00 - 09.00	125	2494	6	M 52 B 25 (Vanos)	CL600	152
323 Ci Coupe (E46)	2.5	04.99 - 09.00	125	2494	6	M 52 B 25 (Vanos)	CL600	152
323 i (E36)	2.5	03.95 - 02.98	125	2494	6	M 52 B 25 (Vanos)	CL600	152
323 i Cabrio (E36)	2.5	06.95 - 04.99	125	2494	6	M 52 B 25 (Vanos)	CL600	152
323 i Coupe (E36)	2.5	03.95 - 04.99	125	2494	6	M 52 B 25 (Vanos)	CL600	152
323 i (E46)	2.5	03.98 - 09.00	125	2494	6	M 52 B 25 TU/ M52B 25 (Vanos)	CL600	152

CAR	MODEL	YEAR	KW	CCM	CYL	MOTOR	COIL TYPE	PAGE
BMW								
323 i Touring (E36)	2.5	09.95 - 10.99	125	2494	6	M 52 B 25 (Vanos)	CL600	152
323 ti Compact (E36)	2.5	08.97 - 08.00	125	2494	6	M 52 B 25 (Vanos)	CL600	152
325 Ci Cabrio (E46)	2.5	09.00 - 09.02	141	2494	6	M5425 6S5	CL600	152
	2.5	10.02 -	141	2494	6	M5425 6S5	CL602	154
325 Ci Coupe (E46)	2.5	09.00 - 09.02	141	2494	6	M5425 6S5	CL600	152
	2.5	10.02 -	141	2494	6	M5425 6S5	CL602	154
325 i (E30)	2.5	09.90 - 09.95	141	2494	6	M50B 25 (TU)/ M50B 25 (Vanos)	CL601	153
325 i (E46)	2.5	09.00 - 09.02	141	2494	6	M5425 6S5/ M54B 25	CL600	152
	2.5	10.02 - 02.05	141	2494	6	M5425 6S5/ M54B 25	CL602	154
325 i Cabrio (E36)	2.5	03.93 - 03.95	141	2494	6	M 50 B 25/M 50 B 25 TU	CL601	153
325 i Coupe (E36)	2.5	03.92 - 04.99	141	2494	6	M50B 25 (TU)/ M50B 25 (Vanos)	CL601	153
325 i Touring (E46)	2.5	09.00 - 09.02	141	2494	6	M5425 6S5/ M54B 25	CL600	152
	2.5	10.02 - 02.05	141	2494	6	M5425 6S5/ M54B 25	CL602	154
325 ti Compact (E46)	2.5	06.01 - 09.02	141	2494	6	M5425 6S5/ M54B 25	CL600	152
	2.5	10.02 - 12.04	141	2494	6	M5425 6S5/ M54B 25	CL602	154
325 xi (E46)	2.5	09.00 - 09.02	141	2494	6	M5425 6S5	CL600	152
	2.5	10.02 - 02.05	141	2494	6	M5425 6S5	CL602	154
325 xi Touring (E46)	2.5	09.00 - 09.02	141	2494	6	M5425 6S5	CL600	152
	2.5	10.02 - 02.05	141	2494	6	M5425 6S5	CL602	154
325i (E90)	2.5	01.05 -	160	2497	6	N52B 25A/ N52B 25	CL603	154
325i Cabrio (E93)	2.5	03.07 -	160	2497	6	N52B 25A/ N52B 25	CL603	154
325i Coupe (E92)	2.5	09.06 -	160	2497	6	N52B 25,-25C,-25A	CL603	154
325i Touring (E91)	2.5	09.05 -	160	2497	6	N52B 25,-25C,-25A	CL603	154
325xi (E90)	2.5	01.05 -	160	2497	6	N52B 25A	CL603	154
325xi Coupe (E92)	2.5	09.06 -	160	2497	6	N52B 25C/ N52B 25A	CL603	154
325xi Touring (E91)	2.5	09.05 -	160	2497	6	N52B 25C	CL603	154
328 Ci Coupe (E46)	2.8	04.99 - 06.00	142	2793	6	M 52 B 28	CL600	152
328 i (E36)	2.8	01.95 - 02.98	142	2793	6	M 52 B 28/ M 52 B 28 TU	CL600	152
328 i (E46)	2.8	02.98 - 06.00	142	2793	6	M 52 B 28	CL600	152
328 i Cabrio (E36)	2.8	03.95 - 04.99	142	2793	6	M 52 B 28/ M 52 B 28 TU	CL600	152
328 i Coupe (E36)	2.8	01.95 - 04.99	142	2793	6	M 52 B 28/ M 52 B 28 TU	CL600	152
328 i Touring (E36)	2.8	01.95 - 10.99	142	2793	6	M 52 B 28/ M 52 B 28 TU	CL600	152
328 i Touring (E46)	2.8	10.99 - 06.00	142	2793	6	M 52 B 28	CL600	152
330 Ci Cabrio (E46)	3.0	06.00 - 09.02	170	2979	6	M5430 6S3	CL600	152
	3.0	10.02 -	170	2979	6	M5430 6S3	CL602	154
330 i (E46)	3.0	06.00 - 09.02	170	2979	6	M5430 6S3/ M54B 30	CL600	152
	3.0	10.02 - 02.05	170	2979	6	M5430 6S3/ M54B 30	CL602	154
	3.0	06.00 - 09.02	170	2979	6	M5430 6S3/ M54B 30	CL600	152
330 i Touring (E46)	3.0	06.00 - 09.02	170	2979	6	M5430 6S3/ M54B 30	CL600	152
	3.0	10.02 - 02.05	170	2979	6	M5430 6S3/ M54B 30	CL602	154
330 xi (E46)	3.0	06.00 - 09.02	170	2979	6	M5430 6S3	CL600	152
	3.0	10.02 - 02.05	170	2979	6	M5430 6S3	CL602	154
330 xi Coupe (E46)	3.0	06.00 - 09.02	170	2979	6	M5430 6S3	CL600	152
	3.0	10.02 -	170	2979	6	M5430 6S3	CL602	154
330 xi Touring (E46)	3.0	06.00 - 09.02	170	2979	6	M5430 6S3	CL600	152
	3.0	10.02 - 02.05	170	2979	6	M5430 6S3	CL602	154
330i (E90)	3.0	01.05 -	190	2996	6	N52B30 A/ N52B 30	CL603	154
330i Coupe (E92)	3.0	09.06 -	200	2996	6	N52B 30A/ N53B 30A/ N53B 30	CL603	154
330i Touring (E91)	3.0	09.05 -	190	2996	6	N52B 30A/ N52B 30	CL603	154
335i (E90)	3.0	09.06 -	225	2979	6	N54B 30A	CL603	154
335i Cabrio (E93)	3.0	03.07 -	225	2979	6	N54B 30A/ N54B 30B	CL603	154
335i Coupe (E92)	3.0	09.06 -	225	2979	6	N54B 30A	CL603	154
335i Touring (E91)	3.0	09.06 -	225	2979	6	N54B 30A	CL603	154
335xi (E90)	3.0	09.07 -	225	2979	6	N54B 30A	CL603	154
335xi Coupe (E92)	3.0	09.06 -	225	2979	6	N54B 30A	CL603	154
335xi Touring (E91)	3.0	09.07 -	225	2979	6	N54B 30A	CL603	154
518 g Combi (E34)	1.8	11.95 - 06.96	85	1796	4	M 43 B 18	CL615	161
518 i (E34)	1.8	08.89 - 09.95	85	1796	4	M 43 B 18	CL615	161
518 i Combi (E34)	1.8	09.94 - 01.97	85	1796	4	M 43 B 18	CL615	161
520 i (E39)	2.0	04.99 - 06.03	100	1991	6	M52B (20 6 S3) Vanos	CL600	152
	2.0	01.96 - 09.00	110	1991	6	M52B 20/ M52B (20 6 S4), Vanos	CL600	152

CAR	MODEL	YEAR	KW	CCM	CYL	MOTOR	COIL TYPE	PAGE
BMW								
520i (E39)	2.2	09.00 - 09.02	125	2171	6	M 54 B 22	CL600	152
	2.2	10.02 - 06.03	125	2171	6	M 54 B 22	CL602	154
520i 24V (E34)	2.0	09.89 - 09.95	110	1991	6	M50B 20TU/ M50B (20 6S2) Vanos	CL601	153
520i Combi (E34)	2.0	11.91 - 01.97	110	1991	6	M50B 20TU/ M50B (20 6S2) Vanos	CL601	153
520i Touring (E39)	2.0	01.97 - 09.00	110	1991	6	M52B 20/ M52B (20 6 S4), Vanos	CL600	152
	2.0	04.99 - 05.04	100	1991	6	M 52 B (20 6 S3) Vanos	CL600	152
	2.2	09.00 - 09.02	125	2171	6	M 54 B 22	CL600	152
	2.2	10.02 - 05.04	125	2171	6	M 54 B 22	CL602	154
520i (E60)	2.2	07.03 -	125	2171	6	M54226S1/M 54 B 22	CL602	154
523i (E39)	2.5	11.95 - 09.00	125	2494	6	M52B 25 TU/ M52B 25 (Vanos)	CL600	152
523i Touring (E39)	2.5	01.97 - 09.00	125	2494	6	M52B 25 TU/ M52B 25 (Vanos)	CL600	152
523i Touring (E61)	2.5	07.05 -	130	2497	6	N52B25A/ N 52 B 25	CL603	154
523i (E60)	2.5	07.05 -	130	2497	6	N52B 25A/ N 52 B 25	CL603	154
525i (E39)	2.5	09.00 - 09.02	141	2494	6	M5425 6S5/ M 54 B 25	CL600	152
	2.5	10.02 - 06.03	141	2494	6	M5425 6S5/ M 54 B 25	CL602	154
525i 24V (E34)	2.5	09.89 - 09.95	141	2494	6	M50B 25/ M 52 B 25 (Vanos)	CL601	153
525i Combi (E34)	2.5	11.91 - 01.97	141	2494	6	M50B 25/ M50B 25 TU	CL601	153
525i Touring (E39)	2.5	09.00 - 09.02	141	2494	6	M5425 6S5/ M54B 25	CL600	152
	2.5	10.02 - 05.04	141	2494	6	M5425 6S5/ M54B 25	CL602	154
525i X 24V (E34)	2.5	10.91 - 09.95	141	2494	6	M 52 B 25 (Vanos)	CL601	153
525i X Combi (E34)	2.5	02.92 - 01.97	141	2494	6	M 50 B 25/ M 52 B 25 (Vanos)	CL601	153
525i (E60)	2.5	09.03 -	141	2494	6	M5425 6S5/ M 54 B 25	CL602	154
	2.5	07.05 -	160	2497	6	N52B 25A/ N 52 B 25	CL603	154
525i Touring (E61)	2.5	06.04 -	141	2494	6	M5425 6S5/ M 54 B 25	CL602	154
	2.5	07.05 -	160	2497	6	N52B 25A/ N 52 B 25	CL603	154
528i (E39)	2.8	11.95 - 09.00	142	2793	6	M 52 B 28/ M 52 B 28 TU	CL600	152
528i Touring (E39)	2.8	01.97 - 09.00	142	2793	6	M 52 B 28/ M 52 B 28 TU	CL600	152
530i V8 (E34)	3.0	09.92 - 09.95	160	2997	8	M 60 B 30	CL601	153
530i V8 Combi (E34)	3.0	09.92 - 01.97	160	2997	8	M 60 B 30	CL601	153
530i (E39)	3.0	09.00 - 09.02	170	2979	6	M5430 6S3/ M 54 B 30	CL600	152
	3.0	10.02 - 06.03	170	2979	6	M5430 6S3/ M 54 B 30	CL602	154
530i Touring (E39)	3.0	09.00 - 09.02	170	2979	6	M5430 6S3/ M 54 B 30	CL600	152
	3.0	10.02 - 05.04	170	2979	6	M5430 6S3/ M 54 B 30	CL602	154
530i (E60)	3.0	07.03 -	170	2979	6	M5430 6S3/ M 54 B 30	CL602	154
	3.0	07.05 -	190	2996	6	N52B 30A/ N 52 B 30	CL603	154
530i Touring (E61)	3.0	07.05 -	190	2996	6	N52B 30A/ N 52 B 30	CL603	154
530xi (E60)	3.0	07.05 -	190	2996	6	N52B 30A	CL603	154
530xi Touring (E61)	3.0	07.05 -	190	2996	6	N52B 30A	CL603	154
535i (E39)	3.5	04.96 - 03.99	173	3498	8	M62B (35 8 S1)/ M62B 35	CL600	152
	3.5	04.99 - 06.03	180	3498	8	M62B (35 8 S2) M62B 35 TU	CL600	152
540i V8 (E34)	4.0	09.92 - 09.95	210	3982	8	M 60 B 40	CL601	153
540i Combi (E34)	4.0	09.93 - 01.97	210	3982	8	M 60 B 40	CL601	153
540i (E39)	4.4	04.96 - 06.03	210	4398	8	M62B 44TU/ M62 B 44/ M62448S2	CL600	152
540i Touring (E39)	4.4	01.97 - 05.04	210	4398	8	M62B 44TU/ M62 B 44/ M62448S2	CL600	152
540i (E60)	4.0	07.05 -	225	4000	8	N 62 B 40A	CL602	154
545i (E60)	4.4	09.03 -	245	4398	8	N 62 B 44	CL602	154
545i Touring (E61)	4.4	06.04 -	245	4398	8	N 62 B 44	CL602	154
550i (E60)	4.8	07.05 -	270	4799	8	N62B 48B	CL602	154
550i Touring (E61)	4.8	07.05 -	270	4799	8	N62B 48B/ N62B 48A	CL602	154
630i (E63)	3.0	09.04 -	190	2996	6	N52B 30A/ N 52 B 30	CL603	154
630i Cabrio (E64)	3.0	09.04 -	190	2996	6	N52B 30A/ N 52 B 30	CL603	154
645Ci (E63)	4.4	01.04 -	245	4398	8	N62B 44A/ N 62 B 44	CL602	154
645Ci Cabrio (E64)	4.4	04.04 -	245	4398	8	N62B 44A/ N 62 B 44	CL602	154
650i (E63)	4.8	07.05 -	270	4799	8	N62B 48B	CL602	154
650i Cabrio (E64)	4.8	07.05 -	270	4799	8	N62B 48B	CL602	154
728 i,iL (E38)	2.8	08.95 - 11.01	142	2793	6	M52 B28/ M52B 28 TU	CL600	152
730 i,iL V8 (E32)	3.0	04.92 - 09.94	160	2997	8	M 60 B 30	CL601	153
730 i,iL (E38)	3.0	10.94 - 11.01	155	2997	8	M 60 B 30	CL601	153
730 i,iL (E38)	3.0	10.94 - 11.01	160	2997	8	M 60 B 30	CL601	153
730 i,Li (E65, E66)	3.0	03.03 -	170	2979	6	M5430 6S3/ M54B 30	CL602	154

CAR	MODEL	YEAR	KW	CCM	CYL	MOTOR	COIL TYPE	PAGE
BMW								
730 i,Li (E65, E66)	3.0	03.05 -	190	2996	6	N52B 30A/ N52B 30	CL603	154
735 i,iL (E38)	3.5	01.96 - 11.01	173	3498	8	M62B (35 8 S1)/ M62B 35	CL600	152
735 i,Li (E65, E66)	3.6	11.01 -	200	3600	8	N 62 B 36	CL602	154
740 i,iL V8 (E32)	4.0	04.92 - 09.94	210	3982	8	M 60 B 40	CL601	153
740 i,iL (E38)	4.0	10.94 - 11.01	210	3982	8	M 60 B 40	CL601	153
740 i,iL (E38)	4.4	01.96 - 11.01	210	4398	8	M62B 44TU /M62B44/ M62448S2	CL600	152
740 i,Li (E65, E66)	4.0	07.05 -	225	4000	8	N62B 40A	CL602	154
740i (F01, F02)	3.0	10.08 -	240	2979	6		CL603	154
745 i,Li (E65, E66)	4.4	11.01 -	245	4398	8	N62B 44A/ N62B 44	CL602	154
750 i,Li (E65, E66)	4.8	07.05 -	270	4799	8	N62B 48B	CL602	154
750i (F01, F02)	4.4	10.08 -	300	4395	8		CL603	154
760 i,Li (E65, E66)	6.0	01.03 -	327	5972	12	N 73 B 60	CL602	154
840 i (E31)	4.0	02.93 - 02.96	210	3982	8	M 60 B 40	CL601	153
840 Ci (E31)	4.4	01.96 - 12.99	210	4398	8	M62B44 TU/ M62B 44	CL600	152
Alpina B7 (E65)	4.4	01.04 -	368	4398	8	N62B44 A19	CL602	154
Alpina Roadster (Z8)	4.8 V8	06.02 -	280	4837	8		CL600	152
M3 (E30)	3.0	08.94 - 09.95	210	2990	6	S 50 B 30	CL601	153
M3 (E36)	3.2	09.95 - 02.98	236	3201	6	S 50 B 32	CL600	152
M3 Cabrio (E36)	3.0	01.94 - 10.95	210	2990	6	S 50 B 30	CL601	153
	3.2	10.95 - 04.99	236	3201	6	S 50 B 32	CL600	152
M3 Coupe (E36)	3.0	10.92 - 01.95	210	2990	6	S 50 B 30	CL601	153
	3.0	01.95 - 10.95	217	2990	6	S 50 B 30	CL601	153
	3.2	10.95 - 04.99	236	3201	6	S 50 B 32	CL600	152
M3 Coupe (E46)	3.2	06.00 -	252	3246	6	S5432 6S4/ S54 B32	CL602	154
M3 Cabrio (E46)	3.2	04.01 -	252	3246	6	S5432 6S4/ S54 B32	CL602	154
M3 CSL Coupe (E46)	3.2	06.03 -	265	3246	6	S54B 32/ S54N32 6S4	CL602	154
M5 (E39)	5.0	10.98 - 06.03	294	4941	8	S38B 49/ S62B 50	CL600	152
X3 (E83)	2.0 i	07.05 -	110	1995	4	N46B 20/ N46B 20A	CL602	154
	2.5 i	01.04 -	141	2494	6	M5425 6S5/ M54B 25	CL602	154
	2.5 si	09.06 -	160	2497	6	N52B 25A	CL603	154
	3.0 i	01.04 -	170	2979	6	M5430 6S3/ M54 B30	CL602	154
	3.0 si	09.06 -	200	2996	6	N52B 30A	CL603	154
X5 (E53)	3.0 i	05.00 - 10.02	163	2979	6	M5430 6S3	CL600	152
	3.0 i	11.02 -	163	2979	6	M5430 6S3	CL602	154
	3.0 i	05.00 -	170	2979	6	M5430 6S3/ M54B 30	CL600	152
	4.4 i	05.00 -	210	4398	8	M62 B44 TU/ M62B 44	CL600	152
	4.4 i	12.03 -	235	4398	8	N62B 44A/ N62B 44	CL602	154
	4.6 is	02.02 -	255	4619	8	M6746 8S1/ M62B 46	CL600	152
	4.8 is	04.04 -	265	4799	8	N62B 48A	CL602	154
X5 (E70)	3.0 si	02.07 -	200	2996	6	N52B 30A/ N52B 30	CL603	154
	4.8 i	02.07 -	261	4799	8	N62B 48B	CL602	154
X6 (E71) 35i	3.0	05.08 -	225	2979	6	N54B 30A	CL603	154
X6 (E71) 50i	4.4	05.08 -	300	4395	8		CL603	154
Z3	1.8	10.95 - 10.98	85	1796	4	M43B 18	CL615	161
	1.9	10.95 - 03.99	103	1895	4	M44B 19	CL615	161
	1.9	07.98 - 01.03	87	1895	4	M43B 19/ M43194E1 /M43B19TU	CL615	161
	2.0	04.99 - 01.03	110	1991	6	M52B 20/ M52B (20 6 S4)	CL600	152
	2.2	08.00 - 01.03	125	2171	6	M5422 6S1/ M54B 22	CL600	152
	2.8	04.97 - 06.00	141	2793	6	M52B 28/ M52B 28 TU	CL600	152
	3.0	06.00 - 01.03	170	2979	6	M5430 6S3/ M54B 30	CL600	152
	3.2 M	03.97 - 06.01	236	3201	6	S50B32	CL600	152
	3.2 M	06.01 - 01.03	239	3246	6	S54B32 (32 6 S4)/ S54B32	CL602	154
Z3 Coupe	2.8	07.97 - 06.00	141	2793	6	M52B28	CL600	152
	3.0	06.00 - 06.03	170	2979	6	M54306S3	CL600	152
	3.2 M	02.98 - 06.01	236	3201	6	S50B32	CL600	152
	3.2 M	06.01 - 06.03	239	3246	6	S54326S4/ S54B32	CL602	154
Z4 (E85)	2.0 i	04.05 -	110	1995	4	N46B20/ N46B20A	CL602	154
	2.2 i	10.03 -	125	2171	6	M54226S1/ M54B22	CL602	154
	2.5 i	02.03 -	141	2494	6	M54256S5/ M54B25	CL602	154
	2.5 i	01.06 -	130	2497	6	N52B25A	CL603	154

CAR	MODEL	YEAR	KW	ccm	CYL	MOTOR	COIL TYPE	PAGE	
BMW									
Z4 (E85)	2.5 si	01.06 -	160	2497	6	N52B25A	CL603	154	
	3.0 i	02.03 -	170	2979	6	M54306S3/ M54B30	CL602	154	
	3.0 si	01.06 -	195	2996	6	N52B30A/ N52B 0	CL603	154	
	3.2 M	03.06 -	252	3246	6	S54326S4/ S54B32	CL602	154	
Z4 Coupe	3.0 si	03.06 -	195	2996	6	N52B30A/ N52B30	CL603	154	
	3.2 M	03.06 -	252	3246	6	S54326S4/ S54B32	CL602	154	
Z8	4.9	06.00 - 06.03	294	4941	8	S38B49/ S62B50	CL600	152	
CHEVROLET									
Aveo Sedan	1.4	03.06 -	69	1399	4	F14D3	CL220	123	
	1.5	05.05 -	62	1498	4	F15S3	CL220	123	
Evanda	2.0	03.05 -	96	1998	4	X 20 SED	CL220	123	
Kalos	1.2	03.05 -	53	1150	4	B12S1	CL220	123	
	1.4	03.05 -	61	1399	4	F14S3	CL220	123	
	1.4 16V	03.05 -	69	1399	4	F14D3	CL220	123	
Kalos Sedan	1.2	03.05 -	53	1150	4	F12S3	CL220	123	
	1.4	03.05 -	61	1399	4	F14S3	CL220	123	
	1.4 16V	03.05 -	69	1399	4	F14D3	CL220	123	
Lacetti	1.4 16V	03.05 -	70	1399	4	F14D3	CL225	124	
	1.6	03.05 -	80	1598	4	F16D3	CL225	124	
Matiz	0.8	03.05 -	38	796	3	F8CV	CL216	122	
Nubira Combi	1.6	03.05 -	80	1598	4	F16D3	CL225	124	
Tacuma	1.6	03.05 -	77	1598	4	A16DMS	CL220	123	
	1.6	08.05 -	79	1598	4	A16DMS	CL220	123	
CITROEN									
AX (ZA-_)	1.0	07.86 - 12.90	33	954	4	CDY (TU9M)	CL108	104	
	1.0	01.91 - 12.98	33	954	4	CDY (TU9M)	CL109	104	
	1.0	01.92 - 12.98	33	954	4	CDY (TU9M)	CL106	102	
	1.0	02.87 - 12.98	37	954	4	CDZ (TU9M)	CL106	102	
	1.0 E	12.86 - 12.88	30	954	4	C3A	CL108	104	
	1.1	12.86 - 04.94	40	1124	4	H1A/H1B	CL108	104	
	1.1	01.91 - 12.97	44	1124	4	HDZ (TU1M)/H1B, Mot. No. -5656 HDZ (TU1M)/H1B, Mot. No. 5657-	CL109 CL106	104 102	
	1.1 cat	09.88 - 12.89	40	1124	4	HAZ (TU1CP)	CL108	104	
	1.3 Sport	04.87 - 12.88	70	1294	4	M4A	CL108	104	
	1.4	12.86 - 12.88	44	1360	4	KAY (TU3CP)	CL108	104	
	1.4	07.89 - 07.96	55	1360	4	KDY (TU3M, -FM)/KDX, KDZ (TU3M/Z)	CL106	102	
	1.4	05.91 - 04.97	55	1360	4	KDY (TU3M, -FM)/KDX, KDZ (TU3M/Z)	CL108	104	
	1.4	01.88 - 12.92	62	1360	4	K2B/K2A	CL108	104	
	1.4 4x4	08.91 - 12.96	55	1360	4	KDY (TU3M, -FM)/KDX, KDZ (TU3M/Z)	CL108	104	
	1.4 GTi	08.91 - 12.96	66	1360	4	KFY (TU3FJ2)	CL106	102	
	1.4 GTi	06.91 - 12.96	69	1360	4	KFZ (TU3FJ2)	CL106	102	
	1.4 GTi	06.91 - 12.92	74	1360	4	KFZ (TU3FJ2)	CL106	102	
	Berlingo (MF)	1.1 i	07.96 -	44	1124	4	HDZ (TU1M)/HFX (TU1JP)	CL107	103
		1.4 i	07.96 -	55	1360	4	KFX (TU3JP)/KFW (TU3JP)	CL120 CL107	109 103
1.4 i		09.00 -	55	1360	4	KFX (TU3JP)/KFW (TU3JP)	CL111	105	
1.4 i		09.05 -	55	1360	4	KFX (TU3JP)/KFW (TU3JP)	CL110	105	
1.6 16V		10.00 -	80	1587	4	NFU (TU5JP4)	CL104	102	
1.8 i		05.97 -	66	1761	4	LFX (XU7JB)	CL107	103	
Berlingo Van (M_)	1.1 i	07.96 -	44	1124	4	HDZ (TU1M)	CL107	103	
	1.4 i	07.96 -	55	1360	4	KFX (TU3JP)/KFW (TU3JP)	CL120 CL107	109 103	
	1.4 i	09.00 -	55	1360	4	KFX (TU3JP)/KFW (TU3JP)	CL111	105	
	1.4 i	09.05 -	55	1360	4	KFX (TU3JP)/KFW (TU3JP)	CL110	105	
BX 11 (XB-_)	1.1	10.88 - 06.92	40	1124	4	HDZ (TU1M)	CL108	104	
BX 14 (XB-_)	1.4	01.89 - 12.89	47	1360	4	K1H (TU3A)	CL108	104	
BX 15 (XB-_)	1.5	10.87 - 05.92	59	1580	4	B1E (XU51C)	CL114	106	
BX 15 Break (XB-_)	1.5	10.87 - 05.92	59	1580	4	B1E (XU51C)	CL114	106	
BX 16 (XB-_)	1.6	01.87 - 02.93	53	1580	4	B1E (XU51C)	CL114	106	
	1.6	09.88 - 02.93	55	1580	4	BAZ (XU5CP)/BAY (XU5CP)	CL114	106	

CAR	MODEL	YEAR	KW	CCM	CYL	MOTOR	COIL TYPE	PAGE
CITROEN								
BX 16 (XB-)	1.6 E	09.89 - 03.91	65	1580	4	BDY (XU5M)/BDZ (XU5M)	CL114	106
BX 16 Break (XB-)	1.6	09.88 - 12.94	53	1580	4	B1E (XU51C)	CL114	106
	1.6	05.89 - 12.94	65	1580	4	BDY (XU5M)/BDZ (XU5M)	CL114	106
BX 19 (XB-)	1.6 E	03.91 - 02.93	65	1580	4	BDY (XU5M)/BDZ (XU5M)	CL107	103
	1.9	09.86 - 11.89	70	1905	4	D2C (XU92C)	CL114	106
	1.9	07.86 - 05.89	75	1905	4	159A	CL114	106
	1.9 E	06.88 - 02.93	80	1905	4	DDZ (XU9M)	CL114	106
	1.9 E 4x4	04.89 - 02.93	80	1905	4	D2F	CL114	106
	1.9 Gi	06.88 - 02.93	88	1905	4	DKZ (XU9JA)	CL114	106
	1.9 Gi	07.86 - 02.93	90	1905	4	D6A (XU9J2)	CL114	106
	1.9 Gi 16V	09.87 - 12.88	116	1905	4	D6C (XU9J4)	CL114	106
	1.9 Gi 16V	03.88 - 02.93	108	1905	4	DFW (XU9J4)	CL114	106
	1.9 Gi 4x4	06.88 - 02.93	88	1905	4	DKZ (XU9JA)	CL114	106
BX 19 Break (XB-)	1.9	12.87 - 12.89	70	1905	4	D2C (XU92C)	CL114	106
	1.9	06.88 - 12.94	80	1905	4	DDZ (XU9M)	CL107	103
	1.9	06.88 - 12.94	88	1905	4	DKZ (XU9JA)	CL114	106
	1.9 4x4	10.90 - 05.91	80	1905	4	DDZ (XU9M)	CL107	103
C1 (PM_, PN_)	1.0	06.05 -	50	998	3	1KR-FE	CL555	149
C2 (JM_)	1.1	09.03 -	44	1124	4	HFX (TU1JP)	CL111	105
	1.4	09.03 -	54	1360	4	KFV (TU3JP)	CL111	105
							CL120	109
	1.6	09.03 -	80	1587	4	NFU (TU5JP4)	CL104	102
	1.6 VTS	01.05 -	90	1587	4	NFS (TU5JP4S)	CL104	102
C3 (FC_)	1.1 i	02.02 -	44	1124	4	HFX (TU1JP)	CL111	105
	1.4 16V	12.03 -	65	1360	4	KFV (ET3J4)	CL111	105
	1.4 i Bivalent	02.02 -	54	1360	4	KFV (TU3JP)	CL111	105
	1.6 16V	02.02 -	80	1587	4	NFU (TU5JP4)	CL104	102
C3 Pluriel (HB_)	1.4	05.03 -	54	1360	4	KFV (TU3JP)	CL111	105
							CL120	109
	1.6	05.03 -	80	1587	4	NFU (TU5JP4)	CL104	102
C4 (LC_)	1.6 16V	11.04 -	80	1587	4	NFU (TU5JP4)	CL104	102
	2.0 16V	11.04 -	100	1997	4	RFN (EW10J4)	CL112	105
	2.0 16V	11.04 -	103	1997	4	RFJ-EW10A/EW10A	CL138	114
C4 Coupe (LA_)	1.6 16V	11.04 -	80	1587	4	NFU (TU5JP4)	CL104	102
	2.0 16V	11.04 -	100	1997	4	RFN (EW10J4)	CL112	105
	2.0 16V	11.04 -	130	1997	4	EW10J4S/RFK (EW10J4S)	CL133	113
C5 (DC_)	1.8 16V	03.01 - 08.04	85	1749	4	6FZ (EW7J4)	CL112	105
	2.0 16V	03.01 - 08.04	100	1997	4	RFN (EW10J4)	CL112	105
							CL138	114
	3.0 V6	03.01 - 08.04	152	2946	6	XFX (ES9J4S)	CL135	113
C5 (RC_)	1.8 16V	09.04 -	85	1749	4	6FZ (EW7J4)	CL112	105
	2.0 16V	09.04 -	103	1997	4	RFJ-EW10A/EW10A	CL138	114
	3.0 V6	09.04 -	152	2946	6	XFV (ES9A)/XFX (ES9J4S)	CL135	113
C5 Break (DE_)	1.8 16V	06.01 - 08.04	85	1749	4	6FZ (EW7J4)	CL112	105
	2.0 16V	06.01 - 08.04	100	1997	4	RFN (EW10J4)	CL112	105
							CL138	114
	3.0 V6	06.01 - 08.04	152	2946	6	XFX (ES9J4S)	CL135	113
C5 Break (RE_)	1.8 16V	09.04 -	85	1749	4	6FZ (EW7J4)	CL112	105
	2.0 16V	09.04 -	103	1997	4	RFJ-EW10A	CL138	114
	3.0 V6	09.04 -	152	2946	6	XFV (ES9A)	CL135	113
C8 (EA_, EB_)	2.0	07.02 -	100	1997	4	RFN (EW10J4)	CL112	105
	2.2	07.02 -	116	2230	4	3FZ (EW12J4)	CL133	113
							CL139	114
	3.0 V6	07.02 -	150	2946	6	XFX (ES9J4S)	CL135	113
C15 (VD-)	1.0	10.84 - 12.97	33	954	4	XV8/TU9	CL108	104
	1.1	10.84 - 12.96	35	1124	4	109K/E1A	CL114	106
	1.1 i	07.88 - 12.96	44	1124	4	HDZ (TU1M)	CL108	104
	1.3	07.87 - 05.88	47	1294	4	G1A	CL114	106
	1.4	07.87 - 12.96	49	1360	4	K1H (TU3A)	CL108	104
	1.4 E	05.87 - 12.96	44	1360	4	150D (XY7)	CL108	104

CAR	MODEL	YEAR	KW	CCM	CYL	MOTOR	COIL TYPE	PAGE
CITROEN								
C15 (VD-)	1.4 i	05.91 - 12.96	55	1360	4	KDY (TU3FM)/KDY (TU3M)	CL108	104
Evasion (22, U6)	1.8	05.97 - 07.02	73	1761	4	LFZ (XU7JP)	CL107	103
	2.0	06.94 - 07.02	89	1998	4	RFU (XU10J2/C)	CL107	103
	2.0 16V	05.98 - 04.00	97	1998	4	RFV (XU10J4R)	CL115	107
	2.0 16V	05.00 - 07.02	100	1997	4	RFN (EW10J4)	CL112	105
	2.0 Turbo C.T.	06.94 - 07.02	108	1998	4	RGX (XU10J2TE)	CL107	103
Jumper Bus (230P)	2.0	02.94 - 04.02	80	1998	4	RFW (XU10J2U)	CL107	103
							CL129	112
	2.0 4x4	08.96 - 04.02	80	1998	4	RFW (XU10J2U)	CL107	103
						CL129	112	
Jumper Flatbed (230)	2.0	03.94 - 04.02	80	1998	4	RFW (XU10J2U)	CL107	103
							CL129	112
Jumper Van (230L)	2.0	03.94 - 04.02	80	1998	4	RFW (XU10J2U)	CL107	103
							CL129	112
Jumpy (U6U)	1.6	10.95 -	58	1581	4	220A2.000	CL302	126
	2.0	04.00 - 12.06	100	1997	4	RFN (EW10J4)	CL112	105
	2.0 i 16V	03.00 -	102	1997	4		CL112	105
Jumpy Van (BS, BT, BY, BZ_)	1.6	10.95 -	58	1581	4	220A2.000	CL302	126
	2.0 i 16V	03.00 -	102	1997	4		CL112	105
Saxo (S0, S1)	1.0 X	05.96 - 11.98	33	954	4	CDZ (TU9M)	CL107	103
	1.0 X	05.98 - 06.03	37	954	4	CDZ (TU9M)	CL107	103
	1.1 X,SX	05.96 - 09.03	40	1124	4	HDZ (TU1M)	CL107	103
							CL111	105
	1.1 X,SX	05.96 - 09.03	44	1124	4	HDZ (TU1M)/HFX (TU1JP)	CL107	103
	1.1 X,SX	09.00 - 09.03	44	1124	4	HDZ (TU1M)/HFX (TU1JP)	CL111	105
	1.4 VTS	02.98 - 06.03	55	1360	4	KFX (TU3JP)/KFW (TU3JP)	CL110	105
	1.4 VTS	06.00 - 06.03	55	1360	4	KFX (TU3JP)/KFW (TU3JP)	CL111	105
	1.6	02.96 - 04.04	88	1587	4	NFX (TU5JP4)	CL141	115
	1.6 VTL,VTR	05.96 - 06.03	65	1587	4	NFZ (TU5JP)	CL110	105
	1.6 VTS	06.96 - 09.03	87	1587	4	NFX (TU5JP4)	CL111	105
							CL127	111
							CL141	115
Xantia (X1)	1.6 i	03.93 - 01.98	65	1580	4	BFZ (XU5JP)	CL107	103
	1.8 i	04.97 - 01.98	66	1761	4	LFX (XU7JB)	CL107	103
	1.8 i	03.93 - 01.98	74	1761	4	LFZ (XU7JP)	CL107	103
	1.8 i 16V	06.95 - 01.98	81	1761	4	LFY (XU7JP4)	CL107	103
	1.8 i 16V	08.97 - 12.97	81	1761	4	LFY (XU7JP4)	CL115	107
	2.0 i	03.93 - 01.98	89	1998	4	RFX (XU10J2C)	CL107	103
	2.0 i 16V	06.95 - 09.97	97	1998	4	RFV (XU10J4R)	CL113	106
	2.0 i 16V	08.97 - 12.97	97	1998	4	RFV (XU10J4R)	CL115	107
	2.0 i 16V	06.94 - 01.98	110	1998	4	RFT (XU10J4/Z)	CL105	102
	2.0 i 16V	03.93 - 01.98	112	1998	4	RFY (XU10J4/Z)	CL105	102
	2.0 Turbo	06.95 - 01.98	108	1998	4	RGX (XU10J2TE)	CL107	103
	3.0 i 24V	01.97 - 01.98	140	2946	6	XFZ (ES9J4)	CL140	115
	Xantia (X2)	1.8 i	01.98 - 04.03	66	1761	4	LFX (XU7JB)	CL107
1.8 i 16V		01.98 - 04.03	81	1761	4	LFY (XU7JP4)	CL115	107
2.0 i		01.98 - 04.03	89	1998	4	RFX (XU10J2C)	CL107	103
2.0 i 16V		01.98 - 04.03	97	1998	4	RFV (XU10J4R)	CL115	107
2.0 Turbo		01.98 - 04.03	108	1998	4	RGX (XU10J2TE)	CL107	103
3.0 V6		01.98 - 04.03	140	2946	6	XFZ (ES9J4)	CL140	115
Xantia Break (X1)		1.8 i	06.95 - 01.98	74	1761	4	LFZ (XU7JP)	CL107
	1.8 i	04.97 - 01.98	66	1761	4	LFX (XU7JB)	CL107	103
	1.8 i 16V	06.95 - 01.98	81	1761	4	LFY (XU7JP4)	CL107	103
	1.8 i 16V	08.97 - 12.97	81	1761	4	LFY (XU7JP4)	CL115	107
	2.0 i	06.95 - 01.98	89	1998	4	RFX (XU10J2C)	CL107	103
	2.0 i 16V	06.95 - 09.97	97	1998	4	RFV (XU10J4R)	CL113	106
	2.0 i 16V	08.97 - 12.97	97	1998	4	RFV (XU10J4R)	CL115	107
	2.0 Turbo	06.95 - 01.98	108	1998	4	RGX (XU10J2TE)	CL107	103
							CL107	103

CAR	MODEL	YEAR	kW	ccm	CYL	MOTOR	COIL TYPE	PAGE
CITROEN								
Xantia Break (X2)	1.8 i	01.98 - 04.03	66	1761	4	LFX (XU7JB)	CL107	103
	1.8 i 16V	01.98 - 04.03	81	1761	4	LFY (XU7JP4)	CL115	107
	2.0 i	01.98 - 04.03	89	1998	4	RFX (XU10J2C)	CL107	103
	2.0 i 16V	01.98 - 04.03	97	1998	4	RFV (XU10J4R)	CL115	107
	2.0 Turbo	01.98 - 04.03	108	1998	4	RGX (XU10J2TE)	CL107	103
	3.0 V6	01.98 - 04.03	140	2946	6	XFZ (ES9J4)	CL140	115
XM (Y3)	2.0 i	05.89 - 04.94	79	1998	4	RDZ (XU10MZ)	CL129	112
	2.0 i	05.89 - 06.94	89	1998	4	RFZ (XU10J2)	CL107	103
	2.0 i Turbo	09.92 - 06.94	104	1998	4	RGY (XU10J2TE/Z)	CL107	103
	3.0 V6	05.89 - 06.94	123	2963	6	UFZ (ZPJ/Z)/SFZ (ZPJ/Z)	CL129	112
	3.0 V6 24V	07.90 - 06.94	147	2963	6	UKZ (ZPJ4/Z)/SKZ (ZPJ4/Z)	CL129	112
XM (Y4)	2.0 i 16V	05.94 - 10.00	97	1998	4	RFV (XU10J4R)	CL107	103
	2.0 i 16V	07.94 - 10.00	97	1998	4	RFV (XU10J4R)	CL113	106
	2.0 i 16V	09.97 - 10.00	97	1998	4	RFV (XU10J4R)	CL115	107
	2.0 Turbo	05.94 - 10.00	108	1998	4	RGX (XU10J2TE)	CL107	103
	3.0 V6	05.94 - 10.00	123	2963	6	UFZ (ZPJ/Z)/SFZ (ZPJ/Z)	CL129	112
	3.0 V6	04.97 - 10.00	140	2946	6	XFZ (ES9J4)	CL140	115
XM Break (Y3)	3.0 V6 24V	05.94 - 10.00	147	2963	6	UKZ (ZPJ4/Z)/SKZ (ZPJ4/Z)	CL129	112
	2.0 i	11.91 - 04.94	79	1998	4	RDZ (XU10MZ)/XU102C	CL129	112
	2.0 i	11.91 - 04.94	89	1998	4	RFZ (XU10J2)	CL107	103
	2.0 Turbo	09.92 - 04.94	104	1998	4	RGY (XU10J2TE/Z)	CL107	103
XM Break (Y4)	3.0 V6	11.91 - 04.94	123	2963	6	UFZ (ZPJ/Z)/SFZ (ZPJ/Z)	CL129	112
	2.0 i 16V	05.94 - 10.00	97	1998	4	RFV (XU10J4R)	CL107	103
	2.0 i 16V	07.94 - 10.00	97	1998	4	RFV (XU10J4R)	CL113	106
	2.0 i 16V	09.97 - 10.00	97	1998	4	RFV (XU10J4R)	CL115	107
Xsara (N1)	2.0 Turbo	05.94 - 10.00	108	1998	4	RGX, RGY (XU10J2TE)	CL107	103
	3.0 V6	05.94 - 10.00	123	2963	6	UFZ (ZPJ/Z)/SFZ (ZPJ/Z)	CL129	112
	3.0 V6	04.97 - 10.00	140	2946	6	XFZ (ES9J4)	CL140	115
	1.4 i	04.97 - 03.05	55	1360	4	KFX (TU3JP)/KFW (TU3JP)	CL107	103
							CL110	105
							CL111	105
	1.6 16V	09.00 - 03.05	80	1587	4	NFU (TU5JP4)	CL104	102
Xsara Break (N2)	1.6 i	04.97 - 09.00	65	1587	4	NFZ (TU5JP)	CL107	103
							CL110	105
	1.8 i	04.97 - 09.00	66	1761	4	LFX (XU7JB)	CL107	103
	1.8 i 16V	04.97 - 09.00	81	1761	4	LFY (XU7JP4)	CL115	107
	1.8 i Aut.	04.97 - 09.00	74	1761	4	LFZ (XU7JP)	CL107	103
	2.0 16V	07.98 - 09.00	97	1998	4	RFV (XU10J4R)	CL115	107
	2.0 16V	09.00 - 03.05	100	1997	4	RFN (EW10J4)	CL112	105
	1.4 i	10.97 - 08.05	55	1360	4	KFX (TU3JP)/KFW (TU3JP)	CL107	103
							CL110	105
							CL111	105
Xsara Coupe (N0)	1.6 16V	09.00 - 08.05	80	1587	4	NFU (TU5JP4)	CL104	102
	1.6 i	10.97 - 09.00	65	1587	4	NFZ (TU5JP)	CL107	103
							CL110	105
	1.8 i	10.97 - 09.00	66	1761	4	LFX (XU7JB)	CL107	103
	1.8 i 16V	10.97 - 09.00	81	1761	4	LFY (XU7JP4)	CL115	107
	1.8 i Aut.	10.97 - 09.00	74	1761	4	LFZ (XU7JP)	CL107	103
	2.0 16V	09.00 - 08.05	100	1997	4	RFN (EW10J4)	CL112	105
	2.0 16V	07.98 - 09.00	97	1998	4	RFV (XU10J4R)	CL115	107
	1.4 i	03.98 - 03.05	55	1360	4	KFX (TU3JP)/KFW (TU3JP)	CL107	103
							CL110	105
							CL111	105
	1.6 16V	09.00 - 03.05	80	1587	4	NFU (TU5JP4)	CL104	102
	1.6 i	02.98 - 09.00	65	1587	4	NFZ (TU5JP)	CL107	103
1.8 i	02.98 - 09.00	66	1761	4	LFX (XU7JB)	CL107	103	
1.8 i	02.98 - 09.00	74	1761	4	LFZ (XU7JP)	CL107	103	
1.8 i 16V	02.98 - 09.00	81	1761	4	LFY (XU7JP4)	CL115	107	
2.0 16V	09.00 - 03.05	100	1997	4	RFN (EW10J4)	CL112	105	
2.0 i 16V	02.98 - 03.05	120	1998	4	RFS (XU10J4RS)	CL132	113	

CAR	MODEL	YEAR	KW	ccm	CYL	MOTOR	COIL TYPE	PAGE	
CITROEN									
Xsara Picasso (N68)	1.8 16V	02.00 -	85	1749	4	LFY (XU7JP4)/6FZ (EW7J4)	CL112	105	
	2.0 16V	01.03 -	100	1997	4	RFN (EW10J4)	CL112	105	
ZX (N2)	1.1	03.91 - 06.97	44	1124	4	HDZ (TU1M)	CL109	104	
	1.4	03.91 - 06.97	55	1360	4	KDZ (TU3M/Z)	CL109	104	
	1.4 i	03.91 - 06.97	55	1360	4	KDX,KDZ (TU3M/Z)/KFX (TU3JP)	CL109	104	
	1.6 i	03.91 - 06.97	65	1580	4	BFZ (XU5JP)/BDY (XU5M)	CL107	103	
	1.8 i	07.92 - 06.97	74	1761	4	LFZ (XU7JP)	CL107	103	
	1.8 i 16V	01.96 - 06.97	81	1761	4	LFY (XU7JP4)	CL107	103	
	1.9 i		03.91 - 06.97	88	1905	4	DKZ (XU9JA)	CL107	103
								CL109	104
	2.0 i	07.92 - 06.97	89	1998	4	RFX (XU10J2C)	CL107	103	
	2.0 i 16V	07.92 - 10.94	112	1998	4	RFT (XU10J4/Z)/RFY (XU10J4/Z)	CL105	102	
	2.0 i 16V	06.94 - 06.97	110	1998	4	RFT (XU10J4/Z)	CL105	102	
	2.0 i 16V	07.95 - 06.97	110	1998	4	RFT (XU10J4/Z)	CL132	113	
2.0 i 16V		05.96 - 06.97	120	1998	4	RF5 (XU10J4RS)	CL105	102	
		05.96 - 06.97	120	1998	4	RF5 (XU10J4RS)	CL132	113	
ZX Break (N2)	1.4 i	10.93 - 10.97	55	1360	4	KFX (TU3JP)/KDX/KDY (TU3M)	CL109	104	
	1.6 i	10.93 - 10.97	65	1580	4	BFZ (XU5JP)/BDY (XU5M)	CL107	103	
	1.8 i	10.93 - 10.97	74	1761	4	LFZ (XU7JP)	CL107	103	
	1.8 i 16V	01.96 - 02.98	81	1761	4	LFY (XU7JP4)	CL107	103	
DACIA									
Logan	1.4	09.04 -	55	1390	4	K7J 710	CL117	107	
	1.6	09.04 -	64	1598	4	K7M 710	CL116	107	
	1.6 16V	02.06 -	77	1598	4	K4M 690	CL100	100	
DAEWOO									
Cielo (KLETN)	1.5	08.96 - 08.97	44	1498	4	G15MF	CL211	121	
	1.5	02.95 - 08.97	52	1498	4	G15MF	CL211	121	
	1.5	02.95 - 08.97	55	1498	4	G15MF	CL211	121	
	1.5 16V	02.95 - 08.97	66	1498	4	A15MF	CL211	121	
Cielo sedan (KLETN)	1.5	08.96 - 08.97	44	1498	4	G15MF	CL211	121	
	1.5	02.95 - 08.97	52	1498	4	G15MF	CL211	121	
	1.5	02.95 - 08.97	55	1498	4	G15MF	CL211	121	
	1.5 16V	02.95 - 08.97	66	1498	4	A15MF	CL211	121	
Espero (KLEJ)	1.5	10.97 - 09.99	55	1498	4		CL211	121	
	1.5 16V	02.95 - 06.99	66	1498	4	A15MF	CL211	121	
	1.8	02.95 - 09.99	66	1796	4	C18LE	CL211	121	
2.0		02.95 - 06.99	77	1998	4	C20LE	CL211	121	
Kalos (KLAS)	1.2	04.03 -	53	1150	4		CL220	123	
	1.4	09.02 -	61	1399	4		CL220	123	
	1.4 16V	04.03 -	69	1399	4	F14D3	CL220	123	
Korando (KJ)	2.3	01.99 -	105	2295	4		CL604	155	
							CL606	157	
	3.2	01.99 -	156	3199	6	M 104.995	CL604	155	
						CL606	157		
Lacetti (KLAN)	1.8	02.04 -	90	1799	4	T18SED	CL220	123	
Lanos (KLAT)	1.4	05.97 -	55	1349	4	A14SMS	CL201	117	
	1.5	05.97 -	63	1498	4	A15SMS	CL201	117	
							CL220	123	
1.6 16V	05.97 -	78	1598	4	A16DMS	CL201	117		
Lanos Sedan (KLAT)	1.4	05.97 -	55	1349	4	A14SMS	CL201	117	
	1.5	05.97 -	63	1498	4	A15SMS/Y15L	CL201	117	
	1.6 16V	05.97 -	78	1598	4	A16DMS	CL201	117	
Leganza (KLAV)	2.0 16V	06.97 - 12.02	98	1998	4	X 20 SED	CL201	117	
Matiz (KLYA)	0.8	09.98 -	38	796	3	F8CV	CL204	118	
	1.0	01.03 -	47	995	4		CL220	123	
Musso (FJ)	2.3	01.99 -	103	2295	4	M 111.970	CL604	155	
							CL606	157	
	3.2	01.99 -	162	3199	6	M 104.992	CL604	155	
						CL606	157		
Nubira (KLAJ)	1.6 16V	05.97 -	78	1598	4	A16DMS	CL201	117	

CAR	MODEL	YEAR	KW	CCM	CYL	MOTOR	COIL TYPE	PAGE
DAEWOO								
Nubira (KLAJ)	2.0 16V	05.97 -	98	1998	4	X 20 SED/Z20L	CL201	117
Nubira Sedan (KLAJ)	1.6 16V	05.97 -	78	1598	4	A16DMS	CL201	117
	2.0 16V	05.97 -	98	1998	4	X 20 SED	CL201	117
Nubira Sedan (KLAN)	1.6	07.03 -	80	1598	4	F16D3	CL225	124
Nubira Wagon (KLAJ)	1.6 16V	05.97 -	78	1598	4	A16DMS	CL201	117
	2.0 16V	05.97 -	98	1998	4	X 20 SED	CL201	117
Nubira Wagon (KLAN)	1.6	07.03 -	80	1598	4	F16D3	CL225	124
Tacuma (KLAU)	1.8	09.00 -	67	1761	4	F18D2	CL220	123
	1.8	09.00 -	74	1761	4		CL220	123
	2.0	09.00 -	94	1998	4		CL220	123
	2.0	09.01 -	89	1998	4	X 20 SED	CL220	123
DAIHATSU								
Cuore II (L80, L81)	0.8	09.85 - 06.90	32	847	3	ED 10	CL563	151
	0.8	11.89 - 12.90	29	847	3	ED 10	CL563	151
	0.8 4WD	09.86 - 10.88	32	847	3	ED 10	CL563	151
Feroza Hard Top (F300)	1.6 16V	10.88 -	63	1590	4	HDC	CL563	151
	1.6i 16V	10.88 -	70	1590	4	HD-E	CL563	151
Feroza Soft Top (F300)	1.6 16V	10.88 -	63	1590	4	HDC	CL563	151
	1.6i 16V	10.88 -	70	1590	4	HD-E	CL563	151
Charade III (G100, G101, G102)	1.0	03.87 - 12.92	38	993	3	CB 23	CL563	151
	1.0	04.89 - 12.92	41	993	3	CB 90	CL563	151
	1.0	11.90 - 12.92	40	993	3	CB 90	CL563	151
	1.0 Gti	03.87 - 12.92	74	993	3	CB 80T	CL563	151
	1.3 i	06.88 - 12.92	66	1296	4	HCE	CL563	151
	1.3 i 4WD	06.88 - 01.93	66	1296	4	HCE	CL563	151
Charade III Sedan (G102)	1.3	11.90 - 02.93	66	1296	4	HCE	CL563	151
FIAT								
126	0.65	07.77 - 09.87	17	652	2	126 A1.000/126 A1.048	CL316	131
	0.7	09.87 - 06.96	19	704	2	126 A2.000/126 A2.048	CL316	131
500	1.2	10.07 -	51	1242	4	169 A4.000	CL309	129
	1.4	10.07 -	74	1368	4	169 A3.000	CL310	129
Barchetta (183)	1.8 16V	04.95 - 07.99	96	1747	4	183 A1.000/188 A6.000	CL314	130
	1.8 16V	07.99 -	96	1747	4	183 A1.000/188 A6.000	CL315	131
Brava (182)	1.2 16V 80	12.98 - 10.00	60	1242	4	182 B2.000	CL302	126
	1.2 16V 80	10.00 - 10.01	59	1242	4	188 A5.000	CL302	126
	1.4	10.95 - 10.01	55	1370	4	182 A5.000	CL302	126
	1.4 12V	10.95 - 08.98	59	1370	4	182 A3.000	CL302	126
	1.6 16V	10.95 - 10.01	66	1581	4	182 A6.000	CL312	130
	1.6 16V	02.96 - 10.01	76	1581	4	182 A4.000	CL312	130
	1.8 GT 16V	10.95 - 06.98	83	1747	4	182 A2.000	CL314	130
	1.8 GT 16V	06.98 - 10.01	83	1747	4	182 A2.000	CL315	131
Bravo (182)	1.2 16V 80	12.98 - 10.00	60	1242	4	182 B2.000	CL302	126
	1.2 16V 80	10.00 - 10.01	59	1242	4	188 A5.000	CL302	126
	1.4	10.95 - 10.01	55	1370	4	182 A5.000	CL302	126
	1.4 12V	10.95 - 10.01	59	1370	4	182 A3.000	CL302	126
	1.6 16V	10.95 - 10.01	66	1581	4	182 A6.000	CL312	130
	1.6 16V	03.96 - 10.01	76	1581	4	182 A4.000	CL312	130
	1.8 GT	10.95 - 06.98	83	1747	4	182 A2.000	CL314	130
	1.8 GT	06.98 - 10.01	83	1747	4	182 A2.000	CL315	131
	2.0 HGT 20V	10.95 - 07.98	108	1998	5	182 A1.000	CL317	131
	2.0 HGT 20V	07.98 - 10.01	113	1998	5	182 B7.000	CL318	131
Bravo	1.4	04.07 -	66	1368	4	192 B2.000	CL310	129
Cinquecento (170)	0.7	12.91 - 01.96	23	704	2	170 A.000	CL300	125
	0.7 i	07.94 - 01.98	22	704	2	170 A.046	CL300	125
	0.9	07.91 - 12.93	30	903	4	170 A1.000	CL300	125
	0.9 i.e.	07.91 - 12.93	30	903	4	170 A1.046	CL300	125
	0.9 i.e. S	07.91 - 07.99	29	899	4	1170 A1.000/1170 A1.046	CL300	125
	1.1 Sporting	10.94 - 01.98	40	1108	4	176 B2.000	CL300	125
Coupe (FA/175)	1.8 16V	03.96 - 08.00	96	1747	4	183 A1.000	CL314	130
							CL315	131

CAR	MODEL	YEAR	kW	ccm	CYL	MOTOR	COIL TYPE	PAGE
FIAT								
Coupe (FA/175)	2.0 16V Turbo	11.93 - 08.96	140	1995	4	175 A1.000	CL300	125
	2.0 20V	08.96 - 04.98	108	1998	5	182 A1.000	CL317	131
	2.0 20V	04.98 - 08.00	113	1998	5	182 B3.000	CL318	131
	2.0 20V Turbo	08.96 - 08.00	162	1998	5	175 A3.000	CL317	131
Croma (154)	2.0 CHT	12.85 - 02.89	66	1995	4	154 A1.000	CL303	127
	2.0 CHT	07.88 - 02.89	66	1995	4	154 A1.000	CL313	130
	2.0 i.e.	03.86 - 09.90	83	1995	4	834 B.048	CL303	127
	2.0 i.e.	10.87 - 08.96	85	1995	4	154 C3.046/834 B.146	CL313	130
	2.0 i.e.	03.87 - 09.92	88	1995	4	834 B.000/154 C3.000	CL313	130
	2.0 16V	08.92 - 08.96	101	1995	4	154 E1.000	CL302	126
Croma (194)	1.8 16V	12.05 -	103	1796	4	939 A4.000	CL221	123
	2.2 16V	06.05 -	108	2198	4	194 A1.000	CL224	124
Doblo (119)	1.2	03.01 -	48	1242	4	223 A5.000	CL300	125
	1.4	10.05 -	57	1368	4	350 A1.000	CL309	129
	1.6 16V	10.01 -	76	1596	4	182 B6.000	CL301	126
Doblo Cargo (223)	1.2	03.01 -	48	1242	4	223 A5.000	CL300	125
	1.4	10.05 -	57	1368	4	350 A1.000	CL309	129
	1.6 16V	10.01 -	76	1596	4	182 B6.000	CL301	126
Ducato Bus (230)	2.0 Panorama	03.94 - 04.02	80	1998	4	RFW	CL107	103
							CL129	112
Ducato Bus (244, Z_)	2.0	04.02 -	81	1998	4	RFL	CL107	103
	2.0 Bipower	11.02 -	81	1998	4		CL107	103
Ducato Van (230L)	2.0	03.94 - 04.02	80	1998	4	RFW	CL107	103
							CL129	112
Ducato Van (244)	2.0	04.02 -	81	1998	4	RFL	CL107	103
	2.0 Bipower	11.02 -	81	1998	4		CL107	103
Duna 60 (146 B)	1.1	01.87 - 12.91	43	1116	4	146 A6.000	CL308	128
Duna 60 Weekend (146 B)	1.1	01.87 - 12.91	43	1116	4	146 A6.000	CL308	128
Duna 70 (146 B)	1.3	01.87 - 12.91	49	1301	4	146 A5.000	CL308	128
Duna 70 Weekend (146 B)	1.3	01.87 - 12.91	49	1301	4	146 A5.000	CL308	128
Elba (146_)	1.5	01.92 - 12.96	55	1499	4	149 C1.000	CL308	128
Fiorino (127)	1.05	01.80 - 12.87	37	1049	4	127 A.000	CL308	128
Fiorino (147)	1.0	01.80 - 12.87	37	1049	4	127 A.000	CL308	128
	1.3	12.87 - 08.93	49	1288	4	146 A5.000	CL308	128
Fiorino 60 Van (146 Uno)	1.1	05.88 - 12.93	40	1116	4	146 A9.000	CL308	128
Fiorino 70 Van (146 Uno)	1.3	01.88 - 12.94	49	1301	4	146 A5.000	CL308	128
	1.4 i.e.	05.94 - 10.96	49	1372	4	146 C5.000/146 D5.000	CL313	130
	1.4 i.e.	11.96 - 05.01	49	1372	4	146 C5.000/146 D5.000	CL302	126
Fiorino 75 Van (146 Uno)	1.5 i.e.	05.88 - 12.93	55	1499	4	149 C1.000	CL313	130
	1.6 i.e.	10.93 - 05.01	55	1581	4	146 D6.000/146 C6.000	CL302	126
							CL313	130
Fiorino Pick up (146)	1.4	05.94 - 05.01	49	1372	4	146 D5.000	CL302	126
	1.4	05.94 - 09.00	49	1372	4	146 D5.000	CL313	130
	1.6	01.94 - 05.01	55	1581	4	146 D6.000/146 C6.000	CL313	130
Grande Punto (199)	1.2	10.05 -	48	1242	4	199 A4.000	CL309	129
	1.4	10.05 -	57	1368	4	350 A1.000	CL309	129
	1.4 16V	10.05 -	70	1368	4	199 A6.000	CL310	129
Idea	1.2 16V	01.04 -	59	1242	4	188 A5.000	CL310	129
	1.4	10.05 -	57	1368	4	350 A1.000	CL309	129
	1.4 16V	01.04 -	70	1368	4	843 A1.000	CL310	129
Linea	1.4	06.07 -	57	1368	4	350 A1.000	CL309	129
Marea (185)	1.2 16V	10.98 -	60	1242	4	182 B2.000	CL302	126
	1.4 80 12V	09.96 -	59	1370	4	182 A3.000	CL302	126
	1.6 16V 100	09.96 -	76	1581	4	182 A4.000	CL312	130
	1.6 16V 100 Bipower	04.99 -	76	1581	4	186 A4.000/185 A3.000	CL312	130
	1.8 16V 115	09.96 - 06.99	83	1747	4	182 A2.000	CL314	130
	1.8 16V 115	06.99 -	83	1747	4	182 A2.000	CL315	131
	2.0 20V 150	09.96 - 04.99	108	1998	5	182 A1.000	CL317	131
	2.0 20V 150	01.01 -	110	1998	5	185 A8.000	CL318	131
	2.0 20V 155	04.99 - 01.01	113	1998	5	182 B7.000	CL318	131

CAR	MODEL	YEAR	KW	CCM	CYL	MOTOR	COIL TYPE	PAGE
FIAT								
Marea Weekend (185)	1.2 16V	10.98 -	60	1242	4	182 B2.000	CL302	126
	1.4 80 12V	09.96 -	59	1370	4	182 A3.000	CL302	126
	1.6 16V 100	09.96 -	76	1581	4	182 A4.000	CL312	130
	1.8 16V 115	09.96 - 06.99	83	1747	4	182 A2.000	CL314	130
	1.8 16V 115	06.99 -	83	1747	4	182 A2.000	CL315	131
	2.0 20V 150	09.96 - 04.99	108	1998	5	182 A1.000	CL317	131
	2.0 20V 150	01.01 -	110	1998	5	185 A8.000	CL318	131
	2.0 20V 155	04.99 - 01.01	113	1998	5	182 B7.000	CL318	131
Multipla (186)	1.6 16V 100	04.99 -	76	1581	4	182 A4.000	CL312	130
	1.6 16V Bipower	04.99 -	76	1581	4	186 A4.000	CL312	130
	1.6 16V Bipower	10.01 -	76	1596	4	182 B6.000	CL312	130
	1.6 16V Blupower	04.99 -	70	1581	4	186 A3.000	CL312	130
	1.6 16V Blupower	04.02 -	70	1596	4	182 B6.000	CL312	130
Palio (178BX)	1.2	06.98 -	54	1242	4	178 E2.000/176 A8.000	CL300	125
	1.4	04.96 -	51	1372	4	178 B2.000	CL300	125
	1.4 cat	04.96 -	51	1372	4	178 B2.016	CL300	125
	1.6 16V	04.96 -	74	1581	4	178 B3.000	CL312	130
Palio Weekend (178DX)	1.2	04.96 - 02.01	54	1242	4	178 B5.000	CL300	125
	1.6 16V	04.96 - 02.01	74	1581	4	178 B3.000	CL312	130
	1.6 16V	02.01 -	76	1596	4	182 B6.000	CL301	126
							CL312	130
Panda (141A _)	0.65	01.82 - 07.04	22	652	2	141 A.000	CL316	131
	0.75	01.86 - 01.95	25	770	4	156 A4.000	CL308	128
	0.75	01.86 - 01.95	25	770	4	141 B.000	CL308	128
	0.9	04.92 - 12.96	29	899	4	1170 A1.046	CL300	125
	1.0	01.85 - 12.92	37	999	4	156 A3.000	CL304	127
	1.0 4x4	01.86 - 12.92	37	999	4	156 A3.000	CL304	127
	1.0 i.e. cat	10.87 - 08.98	33	999	4	141 C2.000/156 A2.246	CL300	125
	1.1	05.91 - 12.99	37	1108	4	156 C.046	CL300	125
							CL304	127
	1.1	02.95 - 09.03	40	1108	4	187 A1.000/176 B2.000	CL300	125
	1.1 4x4	02.95 - 07.04	40	1108	4	176 B2.000	CL300	125
	1.1 Trekking 4x4	10.91 - 07.04	37	1108	4	156 C.046	CL300	125
							CL304	127
Panda (169)	1.1	09.03 -	40	1108	4	187 A1.000	CL300	125
	1.2 4x4	10.04 -	44	1242	4	188 A4.000	CL300	125
	1.2 Bi-Power	01.07 -	44	1242	4	188 A4.000	CL300	125
	1.4	10.06 -	74	1368	4	169 A3.000	CL310	129
Panda Van (141 _)	0.75	01.86 - 07.92	25	764	4	141 B.000	CL308	128
	1.0 i.e	08.92 - 02.04	33	999	4	156 A2.246	CL300	125
Panda Van (169)	1.2	09.04 -	44	1242	4	188 A4.000	CL300	125
Punto (176)	1.4 GT Turbo	01.94 - 09.96	98	1372	4	176 A4.000	CL302	126
	1.4 GT Turbo	09.96 - 09.99	96	1372	4	176 B6.000	CL302	126
Punto (188)	1.2 16V 80	09.99 -	59	1242	4	188 A5.000	CL302	126
	1.2 Natural Power	09.03 -	44	1242	4	188 A4.000	CL300	125
	1.4	09.03 -	70	1368	4	843 A1.000	CL310	129
Punto 55 (176)	1.1	09.93 - 09.99	40	1108	4	176 A6.000/176 B2.000	CL300	125
Punto 60 (176)	1.2	01.94 - 09.99	43	1242	4	176 A7.000	CL300	125
	1.2	03.94 - 09.99	44	1242	4	176 B1.000/176 B4.000	CL300	125
Punto 60 (188)	1.2	09.99 -	44	1242	4	188 A4.000	CL300	125
Punto 60 Cabrio (176C)	1.2	04.94 - 06.00	43	1242	4	176 A7.000	CL300	125
	1.2	05.95 - 06.00	44	1242	4	176 B1.000/176 B4.000	CL300	125
Punto 75 (176)	1.2	10.93 - 09.99	54	1242	4	176 A8.000	CL300	125
Punto 85 (176)	1.2 16V	04.97 - 09.99	63	1242	4	176 B9.000	CL300	125
Punto 85 Cabrio (176C)	1.2 16V	04.97 - 06.00	63	1242	4	176 B9.000	CL300	125
Punto Van (176L)	1.1	04.96 - 02.00	40	1108	4	176 B2.000	CL300	125
Regata 75 (138)	1.5 i.e.	10.85 - 07.89	55	1498	4	149 C1.000/138 C2.048	CL303	127
	1.5 i.e.	07.86 - 07.89	55	1498	4	149 C1.000/138 C2.048	CL313	130
Regata 75 Weekend	1.5 i.e. cat	12.86 - 07.89	55	1498	4	138 C2.048	CL303	127
Ritmo 70 I (138A)	1.3	11.83 - 08.85	48	1301	4	149 A3.000/149 A7.000	CL308	128

CAR	MODEL	YEAR	KW	CCM	CYL	MOTOR	COIL TYPE	PAGE
FIAT								
Ritmo 75 I (138A)	1.5 i.e.	10.85 - 05.87	55	1498	4	149 C1.000/138 C2.048	CL308	128
Ritmo 75 II (138A)	1.5	09.85 - 12.88	55	1498	4	138 A2.000	CL308	128
	1.5 cat	09.85 - 12.88	55	1498	4	149 C1.000/138 C2.048	CL308	128
Scudo Combinato (220P)	1.6	02.96 -	58	1581	4	220 A 2.000	CL302	126
Scudo Van (220L)	1.6	02.96 -	58	1581	4	220 A 2.000	CL302	126
Seicento (187)	0.9	01.98 -	29	899	4	1170 A1.046	CL300	125
	1.1	01.98 -	40	1108	4	187 A1.000/176 B2.000	CL300	125
Siena (178_)	1.4	04.96 -	51	1372	4	178 B2.000	CL300	125
	1.4 cat	04.96 -	51	1372	4	178 B2.016	CL300	125
	1.6 16V	09.98 -	78	1581	4	178 B3.000	CL312	130
Stilo (192)	1.2 16V	02.02 -	59	1242	4	188 A5.000	CL310	129
	1.4 16V	01.04 -	70	1368	4	843 A1.000	CL310	129
	1.4 16V	03.05 -	66	1368	4	192 B2.000	CL310	129
	1.6 16V	10.01 -	76	1596	4	182 B6.000	CL301	126
	2.4 20V	10.01 -	125	2446	5	192 A2.000	CL311	129
Stilo Multi Wagon (192)	1.4 16V	01.04 -	70	1368	4	843 A1.000	CL310	129
	1.4 16V	03.05 -	66	1368	4	192 B2.000	CL310	129
	1.6 16V	01.03 -	76	1596	4	182 B6.000	CL301	126
Strada (178E)	1.2	06.99 -	54	1242	4	178 B5.000	CL300	125
	1.2	04.03 -	44	1242	4	188 A4.000	CL300	125
Tempra (159)	1.4 i.e.	03.92 - 02.95	51	1372	4	836 A4.000/160 A1.046	CL313	130
	1.4 i.e.	03.95 - 08.96	51	1372	4	836 A4.000/160 A1.046	CL302	126
	1.6	03.90 - 04.93	63	1581	4	159 A3.000	CL313	130
	1.6 i.e.	06.90 - 07.92	57	1581	4	159 A3.046	CL313	130
	1.6 i.e.	06.92 - 08.96	55	1581	4	835 C1.000	CL302	126
	1.6 i.e.	06.92 - 08.96	55	1581	4	159 A3.048	CL313	130
	1.8 i.e.	09.93 - 08.96	66	1756	4	835 C4.000	CL300	125
	1.8 i.e.	09.93 - 08.96	76	1756	4	835 C2.000	CL300	125
	1.8 i.e.	10.94 - 08.96	74	1756	4	836 A5.000	CL300	125
Tempra S.W. (159)	1.4 i.e.	10.92 - 08.96	51	1372	4	836 A4.000	CL302	126
	1.4 i.e.	10.92 - 08.96	51	1372	4	160 A1.046	CL313	130
	1.6	12.90 - 04.93	63	1581	4	159 A3.000	CL313	130
	1.6 i.e.	10.92 - 08.96	55	1581	4	835 C1.000	CL302	126
	1.6 i.e.	10.92 - 08.96	55	1581	4	159 A3.048	CL313	130
	1.6 i.e.	10.90 - 08.96	57	1581	4	159 A3.046/835 C1.000	CL313	130
	1.8 i.e.	09.93 - 08.96	66	1756	4	835 C4.000	CL300	125
	1.8 i.e.	09.93 - 08.96	76	1756	4	835 C2.000	CL300	125
	1.8 i.e.	10.94 - 08.96	74	1756	4	836 A5.000	CL300	125
Tipo (160)	1.1	01.88 - 10.91	41	1108	4	160 A3.000	CL304	127
	1.4	07.87 - 12.89	52	1372	4	160 A1.000	CL304	127
	1.4	07.87 - 12.89	52	1372	4	160 A1.048	CL313	130
	1.4 i.e.	05.89 - 04.95	51	1372	4	836 A4.000	CL302	126
	1.4 i.e.	05.89 - 04.95	51	1372	4	836 A4.000/160 A1.046	CL304	127
	1.4 i.e.	05.89 - 04.95	51	1372	4	160 A1.046	CL313	130
	1.6	01.88 - 10.91	61	1581	4	160 A2.000	CL313	130
	1.6 i.e.	07.90 - 01.93	57	1581	4	159 A3.046	CL313	130
	1.6 i.e.	10.92 - 04.95	55	1581	4	835 C1.000	CL302	126
	1.6 i.e.	10.92 - 04.95	55	1581	4	159 A3.048	CL313	130
	1.8 i.e.	09.93 - 04.95	66	1756	4	835 C4.000	CL300	125
	1.8 i.e.	10.94 - 04.95	74	1756	4	159 A4.000	CL300	125
	1.8 i.e.	04.93 - 04.95	76	1756	4	835 C2.000	CL300	125
Ulysse (220)	1.8	05.97 - 08.02	73	1761	4	LFW	CL107	103
	2.0	06.94 - 08.02	89	1998	4	RFU (XU10J2C)	CL107	103
	2.0 Turbo	06.94 - 08.02	108	1998	4	RGX (XU10J2CTE)	CL107	103
Ulysse (179AX)	3.0 V6	08.02 -	150	2946	6	XFW	CL135	113
Uno 45 (146A/E)	1.0	06.86 - 12.87	32	999	4	156 A2.048/156 A2.100	CL308	128
	1.0	01.88 - 12.93	32	999	4	156 A2.048/156 A2.100	CL304	127
	1.0 i.e.	04.84 - 12.87	33	999	4	156 A2.246	CL308	128
	1.0 i.e.	01.88 - 10.95	33	999	4	156 A2.246	CL304	127
Uno 50 (146A/E)	1.1 i.e.	06.92 - 12.93	36	1116	4	146 C3.000	CL304	127

CAR	MODEL	YEAR	KW	CCM	CYL	MOTOR	COIL TYPE	PAGE
FIAT								
Uno 60 (146A/E)	1.1	05.85 - 12.87	43	1116	4	146 A4.048	CL308	128
	1.1	01.88 - 08.89	43	1116	4	146 A4.048	CL304	127
	1.1	04.89 - 12.92	42	1108	4	160 A3.000	CL304	127
Uno 70 (146A/E)	1.4 i.e.	09.89 - 12.93	51	1372	4	160 A1.046	CL313	130
	1.4 S	09.89 - 10.92	52	1372	4	160 A1.048	CL313	130
Uno 75 (146A/E)	1.5 i.e.	10.85 - 12.93	55	1499	4	138 C2.048	CL303	127
	1.5 i.e.	01.86 - 12.89	55	1499	4	138 C2.048	CL308	128
	1.5 i.e.	10.85 - 12.93	55	1499	4	149 C1.000	CL313	130
	1.5 i.e.	10.89 - 12.93	55	1499	4	149 C1.000	CL304	127
FORD								
Cougar (EC_)	2.0 16V	08.98 - 12.01	96	1988	4	EDBB/EDBC/EDBD/EDBA	CL401	134
	2.5 V6 24V	08.98 - 12.01	125	2544	6	LCBA	CL408	136
	2.5 V6 24V	06.00 - 12.01	125	2495	6	LCBC/LCBB/LCBE	CL408	136
Escort,86 Express (AVF)	1.3	02.86 - 07.90	44	1297	4	JLA/JBB/JLB	CL400	132
	1.3	07.88 - 07.90	46	1297	4	JBA	CL400	132
Escort,91 Express (AVL)	1.4	07.90 - 12.94	52	1391	4	F6F/F6G	CL400	132
Escort,95 Express (AVL)	1.4	01.95 -	54	1391	4	F4B	CL400	132
Escort Classic (AAL, ABL)	1.6 16V	10.98 - 07.00	66	1597	4	L1E	CL400	132
Escort Classic Turnier (ANL)	1.6 16V	02.99 - 07.00	66	1597	4	L1E	CL400	132
Escort IV (GAF, AWF, ABFT)	1.3	07.88 - 10.90	46	1297	4	JBA	CL400	132
	1.4	01.86 - 07.90	54	1392	4	F6D/F6B/FUC	CL400	132
	1.4	01.86 - 07.90	55	1392	4	FUA	CL400	132
	1.6	04.89 - 07.90	65	1598	4	LUG	CL400	132
	1.6 i	01.86 - 05.90	66	1598	4	L4B	CL400	132
	1.6 i	08.89 - 07.90	75	1597	4	LJB	CL400	132
	1.6 XR3i	01.86 - 08.89	77	1597	4	LRB/LR2	CL400	132
	1.6 i	08.89 - 07.90	75	1597	4	LJB	CL400	132
Escort IV Cabrio (ALF)	1.4	01.86 - 07.90	55	1392	4	FUA	CL400	132
	1.4	02.87 - 07.90	54	1392	4	F6D/F6B/FUC	CL400	132
	1.6 i	01.86 - 07.90	66	1597	4	L4B	CL400	132
	1.6 i	08.89 - 07.90	75	1597	4	LJB	CL400	132
Escort IV Combi (AWF, AVF)	1.3	01.86 - 07.90	44	1297	4	JLA/JBB/JLB	CL400	132
	1.4	01.86 - 07.90	54	1392	4	F6D/F6B/FUC	CL400	132
	1.4	01.86 - 07.90	55	1392	4	FUA	CL400	132
	1.6 i	01.86 - 07.90	66	1597	4	L4B	CL400	132
Escort V (GAL)	1.4	07.90 - 09.92	52	1392	4	F6F/F6G	CL400	132
	1.6	07.90 - 12.92	77	1598	4	LJF	CL400	132
	1.8 16V XR3i	02.92 - 12.92	77	1796	4	RDA	CL400	132
	1.8 16V XR3i	02.92 - 12.92	96	1796	4	RQB	CL400	132
	2.0 RS	05.91 - 12.92	110	1998	4	N7A	CL404	135
Escort V Cabrio (ALL)	1.4	07.90 - 12.92	52	1392	4	F6F/F6G	CL400	132
	1.6	07.90 - 12.92	77	1598	4	LJF	CL400	132
	1.8 16V XR3i	02.92 - 12.92	77	1796	4	RDA	CL400	132
	1.8 16V XR3i	02.92 - 12.92	96	1796	4	RQB	CL400	132
Escort V Combi (GAL, AVL)	1.4	07.90 - 09.92	52	1392	4	F6F/F6G	CL400	132
	1.6	07.90 - 09.92	77	1598	4	LJF	CL400	132
	1.8 16V	02.92 - 12.92	77	1796	4	RDA	CL400	132
Escort VI (GAL)	1.4	09.92 - 01.95	52	1391	4	F6F/F6G	CL400	132
	1.4	01.94 - 01.95	55	1391	4	FUH	CL400	132
	1.6 i 16V	01.94 - 01.95	65	1597	4	L1H	CL400	132
	1.6 i 16V	09.92 - 01.95	66	1597	4	L1E	CL400	132
	1.8 16V XR3i	09.92 - 01.95	96	1796	4	RQB	CL400	132
	1.8 16V XR3i 4x4	08.93 - 01.95	96	1796	4	RQB	CL400	132
	1.8 i 16V	09.92 - 01.95	77	1796	4	RDA	CL400	132
	2.0 RS	09.92 - 01.95	110	1998	4	N7A	CL404	135
	2.0 RS 4x4	08.93 - 01.95	110	1998	4	N7A	CL404	135
Escort VI Cabrio (ALL)	1.4	12.92 - 04.94	52	1392	4	F6F/F6G	CL400	132
	1.4 i	07.93 - 01.95	55	1391	4	F4B	CL400	132
	1.6 16V XR3i	12.92 - 01.95	66	1597	4	L1E	CL400	132
	1.6 i 16V	02.94 - 01.95	65	1597	4	L1H	CL400	132
	1.8 16V XR3i	12.92 - 01.95	77	1796	4	RDA	CL400	132

CAR	MODEL	YEAR	KW	CCM	CYL	MOTOR	COIL TYPE	PAGE
FORD								
Escort VI Cabrio (ALL)	1.8 16V XR3i	12.92 - 01.95	96	1796	4	RQB	CL400	132
Escort VI Combi (GAL)	1.4	09.92 - 01.94	52	1391	4	F6F/F6G	CL400	132
	1.4	01.94 - 01.95	55	1391	4	F4B/FUH	CL400	132
	1.6 i 16V	09.92 - 01.95	66	1597	4	L1E	CL400	132
	1.6 i 16V	01.94 - 01.95	65	1597	4	L1H	CL400	132
	1.8 i 16V	01.93 - 01.95	77	1796	4	RDA	CL400	132
	1.8 i 16V	02.93 - 01.95	96	1796	4	RQB	CL400	132
Escort VI Sedan (GAL)	1.4	08.93 - 04.94	52	1392	4	F6F/F6G	CL400	132
	1.4	08.93 - 01.95	55	1391	4	F4B/FUH	CL400	132
	1.6 i 16V	08.93 - 01.95	66	1597	4	L1E/L1K	CL400	132
	1.6 i 16V	01.94 - 01.95	65	1597	4	L1H	CL400	132
	1.8 i 16V	08.93 - 01.95	77	1796	4	RDA	CL400	132
Escort VII (GAL, AAL, ABL)	1.3	01.95 - 08.98	44	1299	4	J6A/J4B	CL400	132
	1.3	09.98 - 10.98	44	1299	4	J6A/J4B	CL401	134
	1.4	01.95 - 10.98	55	1391	4	F4B	CL400	132
	1.6 16V	01.95 - 10.98	66	1597	4	L1E	CL400	132
	1.6 16V 4x4	01.95 - 10.98	66	1597	4	L1E	CL400	132
	1.6 i 16V	01.95 - 08.95	65	1597	4	L1H	CL400	132
	1.8 16V	01.95 - 08.95	77	1796	4	RDA	CL400	132
	1.8 16V	01.95 - 10.98	85	1796	4	RKC	CL400	132
	2.0 RS	02.95 - 02.98	110	1998	4	N7A	CL404	135
	2.0 RS 4x4	02.95 - 10.98	110	1998	4	N7A	CL404	135
Escort VII Cabrio (ALL)	1.4	02.95 - 08.98	55	1391	4	F4B	CL400	132
	1.6 16V XR3i	02.95 - 12.96	65	1597	4	L1H	CL400	132
	1.6 16V XR3i	02.95 - 09.99	66	1597	4	L1E	CL400	132
	1.8 16V XR3i	02.95 - 08.98	77	1796	4	RDA	CL400	132
	1.8 16V XR3i	10.95 - 08.98	85	1796	4	RKC	CL400	132
Escort VII Combi (GAL, ANL)	1.3	01.95 - 08.98	44	1299	4	J6A/J4B	CL400	132
	1.3	09.98 - 10.98	44	1299	4	J6A/J4B	CL401	134
	1.4	01.95 - 02.99	55	1391	4	F4B/FUH	CL400	132
	1.6 16V	01.95 - 02.99	66	1597	4	L1E	CL400	132
	1.6 i 16V	01.95 - 08.95	65	1597	4	L1H	CL400	132
	1.8 16V	01.95 - 08.95	77	1796	4	RDA	CL400	132
	1.8 16V	01.95 - 02.99	85	1796	4	RKC	CL400	132
Escort VII Sedan (GAL, AFL)	1.3	01.95 - 08.98	44	1299	4	J6A/J4B	CL400	132
	1.3	09.98 - 02.99	44	1299	4	J6A/J4B	CL401	134
	1.4	01.95 - 02.99	55	1391	4	F4B/FUH	CL400	132
	1.6 i 16V	01.95 - 08.95	65	1597	4	L1H	CL400	132
	1.6 i 16V	01.95 - 02.99	66	1597	4	L1E/L1K	CL400	132
	1.8 16V	01.95 - 08.95	77	1796	4	RDA	CL400	132
	1.8 16V	01.95 - 02.99	85	1796	4	RKC	CL400	132
Fiesta III (GFJ)	1.1	03.89 - 12.95	37	1119	4	G6A	CL400	132
	1.1	03.89 - 12.95	40	1119	4	GUD/GUE	CL400	132
	1.3	03.89 - 12.92	44	1299	4	JBC	CL400	132
	1.3 cat	05.91 - 01.97	44	1299	4	J6B	CL400	132
	1.4	03.89 - 12.95	52	1391	4	F6E	CL400	132
	1.4	03.89 - 12.95	54	1391	4	FUG/FUJ	CL400	132
	1.4 cat	03.89 - 12.95	54	1391	4	F4A	CL400	132
	1.6	01.89 - 01.94	65	1597	4	LUH	CL400	132
	1.6 i 16V	01.94 - 12.95	65	1597	4	L1G	CL400	132
	1.6 Turbo	03.90 - 10.92	96	1598	4	LHA	CL400	132
	1.6 XR2i	03.89 - 03.93	76	1598	4	LJD	CL400	132
	1.8 XR2i 16V	02.92 - 12.95	96	1796	4	RQC	CL400	132
Fiesta IV (JA, JB,)	1.25 i 16V	08.95 - 04.98	55	1242	4	DHG/DHB/DHC/DHE/DHF/DHA/DHD	CL400	132
	1.25 i 16V	05.98 - 01.02	55	1242	4	DHG/DHB/DHC/DHE/DHF/DHA/DHD	CL401	134
	1.3 i	08.95 - 08.98	37	1299	4	JJA/JJE/JJM/JJC/JJJ/JJK	CL400	132
	1.3 i	09.98 - 01.02	37	1299	4	JJA/JJE/JJM/JJC/JJJ/JJK	CL401	134
	1.3 i	08.95 - 08.98	44	1299	4	J4R/J4C/J4L/J4J/J4Q/J4T	CL400	132
	1.3 i	09.98 - 01.02	44	1299	4	J4R/J4C/J4L/J4J/J4Q/J4T	CL401	134
	1.4 i 16V	04.96 - 04.98	66	1388	4	FHE/FHA	CL400	132

CAR	MODEL	YEAR	KW	CCM	CYL	MOTOR	COIL TYPE	PAGE
FORD								
Fiesta IV (JA_, JB_)	1.4 i 16V	05.98 - 01.02	66	1388	4	FHE/FHA	CL401	134
	1.6 16V Sport	02.00 - 01.02	76	1596	4	L1V/L1T	CL401	134
Fiesta V (JH_, JD_)	1.25 16V	03.03 -	51	1242	4	M7JA/M7JB	CL403	135
	1.25 16V	05.02 -	55	1242	4	FUJA/FUJB	CL403	135
	1.3	11.01 -	44	1299	4	BAJA	CL401	134
	1.3	11.01 -	51	1299	4	A9JA/A9JB	CL401	134
	1.4 16V	11.01 - 01.05	59	1388	4	FXJB/FXJA	CL401	134
	1.4 16V	02.05 -	59	1388	4	FXJB/FXJA	CL403	135
	1.6 16V	11.01 - 01.05	74	1596	4	FYJA/FYJB	CL401	134
	1.6 16V	02.05 -	74	1596	4	FYJA/FYJB	CL403	135
	2.0 ST150	03.05 -	110	1999	4	N4JB	CL406	136
Fiesta Van (F3L, F5L)	1.3	09.91 - 02.96	44	1299	4	J6B	CL400	132
Fiesta Van (J5_, J3_)	1.3	02.96 - 08.98	44	1299	4	J4C	CL400	132
	1.3	09.98 -	44	1299	4	J4C	CL401	134
	1.4 i	04.96 - 10.99	66	1388	4	FHA	CL400	132
Focus (DAW, DBW)	1.4 16V	10.98 - 11.04	55	1388	4	FXDA/FXDD/FXDC/FXDB	CL401	134
	1.6 16V	10.98 - 11.04	74	1596	4	FYDH/FYDA/FYDB/FYDD/FYDC	CL401	134
	1.8 16V	10.98 - 11.04	85	1796	4	EYDD/-DC/-DE/-DL/-DF/-DG/-DB/-DJ/-DI	CL401	134
	2.0 16V	10.98 - 11.04	96	1988	4	EDDC/EDDB/EDDD/EDDF	CL401	134
	2.0 ST170	03.02 - 11.04	127	1988	4	ALDA	CL401	134
	2.0 RS	10.02 - 11.04	158	1988	4	HMDA	CL401	134
Focus C-MAX	1.6	10.03 - 03.07	74	1596	4	HWDB/HWDA	CL403	135
	1.6Ti	08.04 - 03.07	85	1596	4	SIDA/HXDA	CL403	135
	1.8	10.03 - 03.07	88	1798	4	CSDB/CSDA	CL405	135
	1.8	04.04 - 03.07	92	1798	4	QQDA/QQDB/Q7DA	CL405	135
	1.8 Flexifuel	01.06 - 03.07	92	1798	4	Q7DA	CL405	135
	2.0	04.04 - 03.07	107	1999	4	AODA/AODB/SYDA	CL405	135
Focus Combi (DNW)	1.4 16V	02.99 - 11.04	55	1388	4	FXDA/FXDD/FXDC/FXDB	CL401	134
	1.6 16V	02.99 - 11.04	74	1596	4	FYDH/FYDA/FYDB/FYDD/FYDC	CL401	134
	1.8 16V	02.99 - 11.04	85	1796	4	EYDD/-DC/-DE/-DL/-DF/-DG/-DB/-DJ/-DI	CL401	134
	2.0 16V	02.99 - 11.04	96	1988	4	EDDC/EDDB/EDDD/EDDF	CL401	134
	2.0 ST170	09.02 - 11.04	127	1988	4	ALDA	CL401	134
Focus Sedan (DFW)	1.4 16V	02.99 - 11.04	55	1388	4	FXDA/FXDD/FXDC/FXDB	CL401	134
	1.6 16V	02.99 - 11.04	74	1596	4	FYDH/FYDA/FYDB/FYDD/FYDC	CL401	134
	1.8 16V	02.99 - 11.04	85	1796	4	EYDD/-DC/-DE/-DL/-DF/-DG/-DB/-DJ/-DI	CL401	134
	2.0 16V	02.99 - 11.04	96	1988	4	EDDC/EDDB/EDDD/EDDF	CL401	134
Focus II (DA_)	1.4	11.04 -	59	1388	4	ASDB/ASDA	CL403	135
	1.6	11.04 -	74	1596	4	SHDA/HWDB/HWDA	CL403	135
	1.6Ti	11.04 -	85	1596	4	HXDB/HXDA	CL403	135
	1.8 Flexifuel	01.06 -	92	1798	4	Q7DA	CL405	135
	2.0	11.04 -	107	1999	4	AODA/AODB	CL405	135
Focus II Sedan (DA_)	1.4	04.05 -	59	1388	4	ASDB/ASDA	CL403	135
	1.6	04.05 -	74	1596	4	SHDA/HWDB/HWDA	CL403	135
	1.6Ti	04.05 -	85	1596	4	HXDB/HXDA	CL403	135
	1.8 Flexifuel	06.06 -	92	1798	4	Q7DA	CL405	135
Focus II Turnier (DAW_)	1.4	11.04 -	59	1388	4	ASDB/ASDA	CL403	135
	1.6	11.04 -	74	1596	4	SHDA/HWDB/HWDA	CL403	135
	1.6Ti	11.04 -	85	1596	4	HXDB/HXDA	CL403	135
	2.0	11.04 -	107	1999	4	AODA/AODB	CL405	135
Fusion (JU_)	1.25	08.04 -	55	1242	4	FUJA/FUJB	CL403	135
	1.4	08.02 - 01.05	59	1388	4	FXJB/FXJA	CL401	134
	1.4	02.05 -	59	1388	4	FXJB/FXJA	CL403	135
	1.6	08.02 - 01.05	74	1596	4	FYJA/FYJB	CL401	134
	1.6	02.05 -	74	1596	4	FYJA/FYJB	CL403	135
Galaxy (WGR)	2.0 i	11.95 - 05.06	85	1998	4	NSE/ZVSA	CL402	134
	2.3 16V	01.97 - 05.06	107	2295	4	Y5B/E5SA	CL404	135
	2.8 i V6	11.95 - 04.00	128	2792	6	AAA/AMY	CL021	99
	2.8 i V6 4x4	04.96 - 04.00	128	2792	6	AAA/AMY	CL021	99
	2.8 V6	04.00 - 05.06	150	2792	6	AYL	CL023	99
Granada (GU)	2.0	08.77 - 08.85	66	1998	6	NYP	CL402	134

CAR	MODEL	YEAR	kW	ccm	CYL	MOTOR	COIL TYPE	PAGE
FORD								
Granada (GU)	2.0	08.79 - 08.85	74	1993	4	NEP	CL402	134
Granada Combi (GNU)	2.0	08.77 - 06.85	66	1998	6	NYP	CL402	134
	2.0	08.79 - 08.85	74	1993	4	NEP	CL402	134
	2.0	08.81 - 08.85	77	1993	4	NEK	CL402	134
Ka (RB_)	1.3 i	09.96 - 10.02	37	1299	4	JJB	CL401	134
	1.3 i	09.96 - 08.98	44	1299	4	J4S/BAA/J4K/J4M/J4P/J4N/J4D	CL400	132
	1.3 i	09.98 -	44	1299	4	J4S/BAA/J4K/J4M/J4P/J4N/J4D	CL401	134
	1.3 i	06.98 -	36	1299	4	JJH/JJD/JJF/JJG/JJL	CL400	132
Maverick	2.0 16V	02.01 -	91	1989	4	YF	CL401	134
Mondeo I (GBP)	1.6 i 16V	02.93 - 08.96	66	1597	4	L1F	CL400	132
	1.6 i 16V	07.94 - 08.96	65	1597	4	L1J	CL400	132
	1.8 i 16V	07.94 - 08.96	82	1796	4	RKB	CL400	132
	1.8 i 16V	02.93 - 08.96	85	1796	4	RKA	CL400	132
	1.8 i 16V 4x4	02.93 - 08.96	85	1796	4	RKA	CL400	132
	2.0 i 16V	02.93 - 08.96	100	1988	4	NGA	CL400	132
	2.0 i 16V	12.94 - 08.96	97	1988	4		CL400	132
	2.0 i 16V 4x4	12.94 - 08.96	97	1988	4	NGA	CL400	132
	2.5 i 24V	07.94 - 08.96	125	2544	6	SEA	CL408	136
Mondeo I Combi (BNP)	1.6 i 16V	04.93 - 08.96	66	1597	4	L1F	CL400	132
	1.6 i 16V	07.94 - 08.96	65	1597	4	L1J	CL400	132
	1.8 i 16V	04.93 - 08.96	85	1796	4	RKA	CL400	132
	1.8 i 16V	07.94 - 08.96	82	1796	4	RKB	CL400	132
	1.8 i 16V 4x4	04.93 - 08.96	85	1796	4	RKA	CL400	132
	2.0 i 16V	01.93 - 08.96	97	1988	4		CL400	132
	2.0 i 16V	04.93 - 08.96	100	1988	4	NGA	CL400	132
	2.0 i 16V 4x4	04.93 - 08.96	100	1988	4	NGA	CL400	132
	2.0 i 16V 4x4	12.94 - 08.96	97	1988	4	NGA	CL400	132
	2.5 i 24V	07.94 - 08.96	125	2544	6	SEA	CL408	136
Mondeo I Sedan (GBP)	1.6 i 16V	02.93 - 08.96	66	1597	4	L1F	CL400	132
	1.6 i 16V	07.94 - 08.96	65	1597	4	L1J	CL400	132
	1.8 i 16V	02.93 - 08.96	85	1796	4	RKA	CL400	132
	1.8 i 16V	01.94 - 08.96	82	1796	4	RKB	CL400	132
	2.0 i 16V	02.93 - 08.96	100	1988	4	NGA	CL400	132
	2.0 i 16V 4x4	12.94 - 08.96	97	1988	4	NGA	CL400	132
	2.5 i 24V	07.94 - 08.96	125	2544	6	SEA	CL408	136
Mondeo II (BAP)	1.6 i	09.96 - 08.98	66	1597	4	L1J	CL400	132
	1.6 i	09.98 - 11.00	66	1597	4	L1J	CL401	134
	1.6 i 16V	05.98 - 11.00	70	1597	4	L1N/L1L/L1Q	CL401	134
	1.8 i	09.96 - 08.98	85	1796	4	RKK/RKJ/RKB/RKF/RKH	CL400	132
	1.8 i	09.98 - 11.00	85	1796	4	RKK/RKJ/RKB/RKF/RKH	CL401	134
	2.0 i	09.96 - 08.98	96	1988	4	NGA/NGB/NGD/NGC	CL400	132
	2.0 i	09.98 - 11.00	96	1988	4	NGA/NGB/NGD/NGC	CL401	134
	2.5 24V	09.96 - 11.00	125	2544	6	SEA	CL408	136
Mondeo II Combi (BNP)	1.6 i	09.96 - 08.98	66	1597	4	L1J	CL400	132
	1.6 i	09.98 - 11.00	66	1597	4	L1J	CL401	134
	1.6 i 16V	05.98 - 11.00	70	1597	4	L1N/L1L/L1Q	CL401	134
	1.8 i	09.96 - 08.98	85	1796	4	RKK/RKJ/RKB/RKF/RKH	CL400	132
	1.8 i	09.98 - 11.00	85	1796	4	RKK/RKJ/RKB/RKF/RKH	CL401	134
	2.0 i	09.96 - 08.98	96	1988	4	NGA/NGB/NGD/NGC	CL400	132
	2.0 i	09.98 - 11.00	96	1988	4	NGA/NGB/NGD/NGC	CL401	134
	2.5 24V	09.96 - 11.00	125	2544	6	SEA	CL408	136
Mondeo II Sedan (BFP)	1.6 i	09.96 - 08.98	66	1597	4	L1J	CL400	132
	1.6 i	09.98 - 11.00	66	1597	4	L1J	CL401	134
	1.6 i 16V	05.98 - 11.00	70	1597	4	L1N/L1L/L1Q	CL401	134
	1.8 i	09.96 - 08.98	85	1796	4	RKK/RKJ/RKB/RKF/RKH	CL400	132
	1.8 i	09.98 - 11.00	85	1796	4	RKK/RKJ/RKB/RKF/RKH	CL401	134
	2.0 i	09.96 - 08.98	96	1988	4	NGA/NGB/NGD/NGC	CL400	132
	2.0 i	09.98 - 11.00	96	1988	4	NGA/NGB/NGD/NGC	CL401	134
	2.5 24V	09.96 - 11.00	125	2544	6	SEA	CL408	136
Mondeo III (B5Y)	1.8 16V	11.00 - 02.05	81	1798	4	CGBB/CGBA	CL409	136

CAR	MODEL	YEAR	KW	CCM	CYL	MOTOR	COIL TYPE	PAGE
FORD								
Mondeo III (B5Y)	1.8 16V	03.05 - 08.07	81	1798	4	CGBB/CGBA	CL406	136
	1.8 16V	11.00 - 02.05	92	1798	4	CHBA/CHBB	CL409	136
	1.8 16V	03.05 - 08.07	92	1798	4	CHBA/CHBB	CL406	136
	1.8 SCi	06.03 - 08.07	96	1798	4	CFBA	CL407	136
	2.0 16V	11.00 - 02.05	107	1999	4	CJBA/CJBB	CL409	136
	2.0 16V	03.05 - 08.07	107	1999	4	CJBA/CJBB	CL406	136
Mondeo III Combi (BWY)	1.8 16V	11.00 - 02.05	81	1798	4	CGBB/CGBA	CL409	136
	1.8 16V	03.05 - 08.07	81	1798	4	CGBB/CGBA	CL406	136
	1.8 16V	11.00 - 02.05	92	1798	4	CHBA/CHBB	CL409	136
	1.8 16V	03.05 - 08.07	92	1798	4	CHBA/CHBB	CL406	136
	1.8 SCi	06.03 - 08.07	96	1798	4	CFBA	CL407	136
	2.0 16V	11.00 - 02.05	107	1999	4	CJBA/CJBB	CL409	136
Mondeo III Sedan (B4Y)	2.0 16V	03.05 - 08.07	107	1999	4	CJBA/CJBB	CL406	136
	1.8 16V	11.00 - 02.05	81	1798	4	CGBB/CGBA	CL409	136
	1.8 16V	03.05 - 08.07	81	1798	4	CGBB/CGBA	CL406	136
	1.8 16V	11.00 - 02.05	92	1798	4	CHBA/CHBB	CL409	136
	1.8 16V	03.05 - 08.07	92	1798	4	CHBA/CHBB	CL406	136
	1.8 SCi	06.03 - 08.07	96	1798	4	CFBA	CL407	136
Orion II (AFF)	2.0 16V	11.00 - 02.05	107	1999	4	CJBA/CJBB	CL409	136
	2.0 16V	03.05 - 08.07	107	1999	4	CJBA/CJBB	CL406	136
	1.6	12.85 - 07.90	66	1597	4	LUC	CL400	132
	1.6 i	08.89 - 07.90	75	1597	4	LJB	CL400	132
	1.6 i cat	03.86 - 07.90	66	1597	4	L4B	CL400	132
	Orion III (GAL)	1.4	07.90 - 12.93	54	1392	4	FUH	CL400
1.6		07.90 - 12.92	66	1598	4	LUJ/LUK	CL400	132
1.6 i		07.90 - 09.92	77	1598	4	LJF	CL400	132
1.8 i 16V		02.92 - 12.93	77	1796	4	RDA	CL400	132
Puma (EC_)	1.4 16V	11.97 - 04.98	66	1388	4	FHD/FHF	CL400	132
	1.4 16V	05.98 - 10.00	66	1388	4	FHD/FHF	CL401	134
	1.6 16V	08.00 -	76	1596	4	L1W	CL401	134
	1.7 16V	03.97 - 04.98	92	1679	4	MHB/MHA	CL400	132
	1.7 16V	05.98 -	92	1679	4	MHB/MHA	CL401	134
Scorpio I (GAE, GGE)	2.0	04.85 - 08.89	77	1993	4	N8D/NEL	CL402	134
	2.0 i	04.85 - 02.92	85	1993	4	NRI/NRA	CL402	134
	2.0 i	10.85 - 12.90	74	1993	4	NRC	CL402	134
	2.9 i 24V	04.91 - 09.94	143	2933	6	BOA	CL408	136
Scorpio I Combi (GGE)	2.9 i 24V	08.93 - 09.94	143	2933	6	BOA	CL408	136
Scorpio I Sedan (GGE)	2.9 i 24V	04.91 - 09.94	143	2933	6	BOA	CL408	136
Scorpio II (GFR, GGR)	2.0 i	10.94 - 08.98	85	1998	4	NSD	CL402	134
	2.0 i 16V	10.94 - 08.98	100	1998	4	N3A	CL404	135
	2.3 i 16V	06.96 - 08.98	108	2295	4	Y5A	CL404	135
Scorpio II Combi (GMR, GGR)	2.0 i	10.94 - 08.98	85	1998	4	NSD	CL402	134
	2.0 i 16V	10.94 - 08.98	100	1998	4	N3A	CL404	135
	2.3 i 16V	06.96 - 08.98	108	2295	4	Y5A	CL404	135
Sierra (GBG, GB4)	1.6 i	10.89 - 02.93	59	1597	4	L6B	CL400	132
	1.8	05.88 - 02.93	64	1769	4	R2C/R6A	CL400	132
Sierra Hatchback (GBC, GBG)	1.8	05.88 - 02.93	64	1769	4	R2C/R6A	CL400	132
Street Ka	1.6	05.03 - 07.05	70	1599	4	CDRA/CDRB	CL401	134
Transit Bus (E_)	2.0	09.95 - 03.00	84	1998	4	NSF/NSG	CL402	134
Transit Bus (FD, FB, FS, FZ, FC)	2.3 16V RWD	08.00 - 05.06	107	2295	4	E5FC/E5FA	CL404	135
Transit Flatbed (E_)	2.0	08.94 - 03.00	84	1998	4	NSF/NSG	CL402	134
Transit Flatbed (FM_ , FN_)	2.3 16V	04.01 - 05.06	107	2295	4	E5FC/E5FA	CL404	135
Transit Van (E_)	2.0	06.94 - 03.00	84	1998	4	NSF/NSG	CL402	134
Transit Van (FA_)	2.3 16V RWD	04.01 - 05.06	107	2295	4	E5FC/E5FA	CL404	135
FSO								
Polonez III	1.4 i 16V	09.92 -	76	1398	4	Rover K16 DOHC	CL302	126
HONDA								
Accord IV (CB3, CB7)	2.0 16V	01.90 - 03.93	81	1997	4	F20A3/F20A2	CL501	137
	2.0 i 16V	01.90 - 03.93	98	1997	4	F20A4/F20A8	CL501	137
	2.2 i 16V	01.90 - 03.93	110	2156	4	F22A3	CL501	137

CAR	MODEL	YEAR	KW	CCM	CYL	MOTOR	COIL TYPE	PAGE
HONDA								
Accord IV (CB3, CB7)	2.2 i 16V Automatic	01.90 - 03.93	108	2156	4	F22A3	CL501	137
Accord IV Aerodeck (CB8)	2.0 i 16V	03.93 - 12.93	98	1997	4	F20Z3	CL501	137
	2.2 i 16V	01.91 - 12.93	108	2156	4	F22A8	CL501	137
	2.2 i 16V	01.91 - 12.93	110	2156	4	F22A7	CL501	137
Accord IV Coupe (CC1)	2.0 i 16V	01.92 - 09.93	98	1997	4	F20A7	CL501	137
Accord V (CC7)	2.0 i	03.93 - 01.96	85	1997	4	F20Z2	CL501	137
	2.0 i S	03.93 - 01.96	96	1997	4	F20Z1	CL501	137
	2.3 i SR	03.93 - 01.96	116	2259	4	H23A3	CL501	137
Accord V Aerodeck (CE)	2.0 i LS 16V	09.93 - 02.98	100	1997	4	F20B3	CL501	137
	2.2 i ES	09.93 - 02.98	110	2156	4	F22B5	CL501	137
Accord V Coupe (CD7, CD9)	2.0	09.93 - 12.97	100	1997	4	F20B3	CL501	137
	2.2 i ES	09.93 - 02.98	110	2156	4	F22B5	CL501	137
Accord VI (CE, CF)	2.0 i LS	02.96 - 10.98	96	1997	4	F20Z1	CL501	137
Accord VII (CG)	1.6 i	10.98 - 12.02	85	1590	4	D16B6	CL522	143
	2.2 Type-R	02.99 - 12.02	156	2157	4	H22A7	CL501	137
Accord VII Coupe (CG)	3.0 V6 24V	02.98 - 06.03	147	2997	6	J30A1	CL550	148
Accord VIII (CL_, CM_)	2.0	02.03 -	114	1998	4	K20A	CL556	149
	2.0 Allrad	02.03 -	114	1998	4	K20A	CL556	149
	2.4	02.03 -	140	2354	4	K24A	CL556	149
Accord VIII Tourer (CM_)	2.0	04.03 -	114	1998	4	K20A	CL556	149
	2.4	04.03 -	140	2354	4	K24A	CL556	149
Civic II	1.5 GL	10.83 - 10.87	63	1488	4	EW2	CL500	137
	1.5 GTI	03.86 - 10.87	66	1488	4	EW4	CL500	137
Civic II Hatchback (AL, AJ, AG, AH)	1.5 GL	10.83 - 10.87	63	1488	4	EW2	CL500	137
Civic II Shuttle (EE)	1.5 i 16V	01.88 - 11.91	69	1493	4	D15B2	CL500	137
	1.6 i 16V 4WD	01.88 - 12.89	80	1590	4	D16A6	CL500	137
							CL560	150
	1.6 i 16V 4WD	01.88 - 02.95	81	1590	4	D16A6	CL500	137
							CL560	150
Civic III Hatchback (EC, ED, EE)	1.5 i 16V	10.88 - 09.91	66	1493	4	D15B2	CL560	150
	1.5 i 16V	10.88 - 09.91	69	1493	4	D15B2	CL560	150
	1.6 i 16V	10.87 - 09.91	80	1590	4	D16A6	CL500	137
							CL560	150
	1.6 i 16V	10.87 - 09.91	81	1590	4	D16Z2	CL500	137
							CL560	150
	1.6 i 16V Vtec	10.89 - 09.91	110	1595	4	B16A1	CL500	137
							CL560	150
Civic III Sedan (ED)	1.5 i 16V	10.87 - 09.91	66	1493	4	D15B2	CL500	137
	1.5 i 16V	10.87 - 09.91	69	1493	4	D15B2	CL500	137
	1.6 i 16V	09.87 - 09.91	96	1590	4	D16A7	CL500	137
	1.6 i 16V	10.87 - 09.91	81	1590	4	D16Z2	CL500	137
							CL560	150
	1.6 i 16V	11.87 - 09.91	80	1590	4	D16A6	CL500	137
							CL560	150
	1.6 i 16V 4x4	10.89 - 09.91	80	1590	4	D16A6	CL500	137
							CL560	150
Civic IV (EG, EH)	1.5 i 16V	10.91 - 11.95	69	1493	4	D15Z1 /D15B2	CL501	137
	1.6 16V Vtec	10.91 - 11.95	92	1590	4	D16Z6/D16Z7	CL501	137
	1.6 Vti	10.91 - 11.95	118	1595	4	B16A2	CL560	150
Civic IV Coupe (EJ)	1.5 i Lsi	01.94 - 11.95	74	1493	4	D15B7	CL501	137
	1.6 i	01.94 - 11.95	77	1590	4	D16Y7	CL501	137
	1.6 i Vtec	01.94 - 03.96	92	1590	4	D16Y6/D16Z9	CL501	137
	1.6 i Vtec	01.94 - 11.95	118	1595	4	B16A2	CL501	137
Civic IV Fastback (MA, MB)	1.5 i Vtec-E	09.94 - 01.97	66	1493	4	D15Z3	CL501	137
	1.6 i	09.94 - 01.97	83	1590	4	D16Y3	CL501	137
Civic IV Hatchback (EG)	1.5 i 16V	10.91 - 11.95	66	1493	4	D15B2/D15Z2	CL501	137
	1.5 i 16V	10.91 - 11.95	69	1493	4	D15Z1 /D15B2	CL501	137
	1.6 16V Vtec	10.91 - 11.95	92	1590	4	D16Z6	CL501	137
	1.6 Vti 16V	10.91 - 11.95	118	1595	4	B16A2	CL501	137
Civic V (EJ9, EK3/4)	1.4 i	11.95 - 02.01	66	1396	4	D14A4/D14Z2	CL501	137

CAR	MODEL	YEAR	KW	CCM	CYL	MOTOR	COIL TYPE	PAGE
HONDA								
Civic V (EJ9, EK3/4)	1.5 i	11.95 - 02.01	84	1493	4	D15Z6	CL501	137
	1.6 Vti	11.95 - 02.01	118	1595	4	B16A2	CL501	137
Civic V Coupe (EJ6, EJ8)	1.6 i	03.96 - 03.00	77	1590	4	D16Y7	CL501	137
	1.6 i Vtec	03.96 - 03.00	92	1590	4	D16Y8	CL501	137
	1.6 i Vtec	04.99 - 12.00	118	1595	4	B16A2	CL501	137
Civic V Fastback (MB)	1.5 16V	01.97 - 02.01	84	1493	4	D15Z8	CL501	137
	1.6 VTi	01.97 - 02.01	118	1595	4	B16A2	CL501	137
Civic V Hatchback (EJ9, EK1/3/4)	1.4 i	11.95 - 02.01	55	1396	4	D14Z1/D14A3	CL501	137
	1.4 i S	11.95 - 02.01	66	1396	4	D14A4/D14Z2	CL501	137
	1.5 i	11.95 - 02.01	84	1493	4	D15Z6	CL501	137
	1.6 Vti	11.95 - 02.01	118	1595	4	B16A2	CL501	137
Civic VI	1.4	02.01 - 09.05	66	1396	4	D14Z5	CL550	148
	1.6	02.01 - 09.05	81	1590	4	D16V1	CL550	148
Civic VI Coupe (EM)	1.7 i	05.01 - 12.05	88	1668	4	D17A8	CL550	148
	1.7 i VTEC	05.01 - 12.05	92	1668	4	D17A5/D17A9	CL550	148
Civic VI Hatchback (EU_, EP_)	1.4 i S	02.01 - 09.05	66	1396	4	D14Z6	CL550	148
	1.6 i	02.01 - 09.05	81	1590	4	D16V1	CL550	148
	2.0 i Sport	01.04 - 09.05	118	1998	4	K20A3	CL556	149
	2.0 Type-R	09.01 - 09.05	147	1998	4	K20A2	CL556	149
Concerto (HW)	1.5 i 16V	08.89 - 03.95	66	1493	4	D15B2	CL500	137
							CL560	150
	1.6 16V	08.89 - 03.95	78	1590	4	D16Z2	CL500	137
	1.6 i 16V	08.89 - 03.95	82	1590	4	D16Z2	CL500	137
	1.6 i 16V	08.89 - 03.95	90	1590	4	D16A8	CL500	137
Concerto Sedan (HWW)	1.5 i 16V	08.89 - 05.95	66	1493	4	D15B2	CL500	137
	1.6 16V	08.89 - 03.95	78	1590	4	D16Z2	CL500	137
	1.6 i 16V	08.89 - 03.95	82	1590	4	D16Z2	CL500	137
	1.6 i 16V	08.89 - 03.95	90	1590	4	D16A8	CL500	137
CR-V I (RD)	2.0 16V	10.95 - 01.99	94	1973	4	B20B	CL501	137
	2.0 16V	01.99 - 02.02	108	1973	4	B20Z1	CL501	137
CR-V II (RD_)	2.0	07.02 - 09.06	110	1998	4	K20A4	CL556	149
CR-V III	2.0 i-VTEC	01.07 -	110	1997	4	R20A2	CL556	149
CRX II (ED, EE)	1.6 i 16V	10.87 - 02.92	91	1590	4	D16Z5	CL500	137
	1.6 i 16V	10.87 - 12.89	96	1590	4	D16A8/D16A9	CL500	137
	1.6 i 16V Vtec	10.89 - 02.92	110	1595	4	B16A1	CL500	137
						CL560	150	
CRX III (EH, EG)	1.6 Esi	03.92 - 12.98	92	1590	4	D16Y8/D16Z6	CL501	137
	1.6 i VTi	03.92 - 12.98	118	1595	4	B16A2	CL501	137
FR-V	2.0	02.05 -	110	1998	4	K20A9	CL556	149
HR-V (GH)	1.6 16V	03.99 -	77	1590	4	D16W1	CL501	137
	1.6 16V 4WD	03.99 -	77	1590	4	D16W1	CL501	137
	1.6 16V 4WD	10.99 -	91	1590	4	D16W5	CL501	137
Integra (DC2)	1.8 Type-R	11.97 - 10.01	140	1797	4	B18C6	CL501	137
Logo (GA3)	1.3	03.99 - 03.02	48	1343	4	D13B7	CL501	137
Prelude IV (BB)	2.0 i 16V	02.92 - 09.96	98	1997	4	F20A4	CL501	137
	2.2 i 16V Vtec	02.93 - 09.96	136	2157	4	H22A2	CL501	137
	2.3 i 16V	02.92 - 09.96	118	2259	4	H23A2	CL501	137
Prelude V (BB)	2.0 16V	10.96 - 10.00	98	1997	4	F20A4	CL501	137
	2.2 16V	10.96 - 10.00	136	2157	4	H22A5	CL501	137
Shuttle (RA)	2.2 16V	10.94 - 02.98	110	2156	4	F22B8	CL501	137
Stream (RN)	1.7 16V	05.01 -	92	1668	4	D17A2	CL550	148
	2.0 16V	05.01 -	115	1998	4	K20A	CL556	149
HYUNDAI								
Accent (X-3)	1.3	10.94 - 01.00	44	1341	4	G4EH	CL502	138
	1.3	10.94 - 01.00	55	1341	4	G4EH	CL502	138
	1.3 i 12V	10.94 - 01.00	62	1341	4	G4EH	CL502	138
	1.5 i 12V	10.94 - 01.00	65	1495	4	G4EK	CL502	138
Accent (LC)	1.3	01.00 -	63	1341	4	G4E-A	CL524	143
Accent Sedan (X-3)	1.3	10.94 - 01.00	44	1341	4	G4EH	CL502	138
	1.3	10.94 - 01.00	55	1341	4	G4EH	CL502	138

CAR	MODEL	YEAR	KW	CCM	CYL	MOTOR	COIL TYPE	PAGE
HYUNDAI								
Accent Sedan (X-3)	1.3 i 12V	10.94 - 01.00	62	1341	4	G4EH	CL502	138
	1.5 i 12V	10.94 - 01.00	65	1495	4	G4EK	CL502	138
Atos (MX)	1.0 i	02.98 - 08.00	40	999	4	G4HC	CL519	142
	1.0 i	08.00 - 03.02	40	999	4	G4HC	CL523	143
	1.0 i	03.01 -	43	999	4	G4HC-E	CL523	143
Atos Prime (MX)	1.0 i	08.99 - 08.00	40	999	4	G4HC	CL519	142
	1.0 i	08.00 -	40	999	4	G4HC	CL523	143
	1.0 i	03.01 -	43	999	4	G4HC-E	CL523	143
Coupe (RD)	1.6 16V	03.98 - 04.02	85	1599	4	G4GR	CL503	138
	1.6 i 16V	12.96 - 04.02	84	1599	4	4G61	CL503	138
	2.0 16V	08.96 - 04.02	102	1975	4	G4GF	CL503	138
Coupe (GK)	2.0	03.02 -	102	1975	4	G4GC-G	CL539	146
							CL565	152
Elantra (XD)	2.0	06.00 -	102	1975	4	G4GC-G	CL539	146
	2.0	10.03 -	105	1975	4	G4GC	CL565	152
Elantra Sedan (XD)	1.8	06.00 -	97	1795	4	G4BB	CL539	146
	2.0	06.00 -	102	1975	4	G4GC-G	CL539	146
	2.0	10.03 -	105	1975	4	G4GC	CL565	152
Galloper I	3.0 V6	08.91 - 07.98	104	2972	6	6G72	CL540	146
Galloper II (JK-01)	3.0 V6	08.98 -	104	2972	6	G6AT	CL558	150
Getz (TB)	1.1	09.02 -	46	1086	4	G4HD	CL551	148
	1.3	09.02 -	60	1341	4	G4E-A	CL524	143
H-1 Starex (KMF)	2.4	10.97 -	82	2351	4	G4CS	CL525	143
	2.4 4WD	10.97 -	82	2351	4	G4CS	CL525	143
H-1 Van	2.4	03.00 -	82	2351	4	G4CS	CL525	143
H100 Bus (P)	2.4	07.93 - 03.00	90	2351	4	G4CS	CL525	143
	2.4	01.97 - 03.00	84	2351	4	G4CS	CL525	143
Lantra I (J-1)	1.5 i.e.	10.90 - 11.95	63	1468	4	G15B/G4DJ	CL508	139
	1.6 i.e. 16V	10.90 - 11.95	78	1596	4	G4CR	CL526	144
	1.6 i.e. 16V	10.90 - 11.95	84	1596	4	G4CR	CL526	144
	1.8 i.e. 16V	10.90 - 11.95	93	1836	4	G4CN	CL526	144
Lantra II (J-2)	1.5 12V	12.96 - 09.00	65	1495	4	G4EK	CL502	138
	1.6 16V	11.95 - 09.00	84	1599	4	4G61	CL503	138
	1.6 i	11.95 - 09.00	66	1599	4	G4GR	CL503	138
	1.8 16V	11.95 - 09.00	94	1795	4	G4GM	CL503	138
	2.0 16V	08.96 - 09.00	102	1975	4	G4GF	CL503	138
Lantra II Wagon (J2)	1.5 12V	04.97 -	65	1495	4	G4EK	CL502	138
	1.6 16V	02.96 -	84	1599	4	4G61	CL503	138
	1.6 i	02.96 -	66	1599	4	G4GR	CL503	138
	1.8 16V	02.96 -	94	1795	4	G4GM	CL503	138
	2.0 16V	12.96 -	102	1975	4	G4GF	CL503	138
Matrix (FC)	1.8	06.01 -	90	1795	4	G4GB-G	CL539	146
							CL565	152
Pony (X-2)	1.5 i	10.89 - 01.95	61	1468	4	G15B/G4DJ	CL508	139
	1.5 i	10.89 - 01.95	62	1468	4	G15B/G4DJ	CL508	139
Pony/Excel Sedan (X-2)	1.5 i	01.90 - 01.95	61	1468	4	G15B/G4DJ	CL508	139
	1.5 i	01.90 - 01.95	62	1468	4	G15B/G4DJ	CL508	139
S Coupe (SLC)	1.5 i	02.90 - 05.96	62	1468	4	G15B/G4DJ	CL508	139
	1.5 i	04.92 - 05.96	65	1495	4	G4EK	CL508	139
Santa Fé (SM)	2.0	08.01 -	99	1997	4	G4BP	CL515	142
	2.4 16V	02.01 -	100	2351	4	G4JS-G	CL515	142
	2.4 16V	02.01 -	107	2351	4	G4JS-G	CL515	142
	2.4 16V 4x4	02.01 -	100	2351	4	G4JS-G	CL515	142
	2.4 16V 4x4	02.01 -	107	2351	4	G4JS-G	CL515	142
	2.7 V6 4x4	02.01 -	127	2656	6	G6BA-G	CL527	144
Sonata I (Y-2)	2.0 i	01.91 - 10.93	80	1997	4	G4CP-U	CL526	144
	2.0 i 16V	01.91 - 10.93	96	1997	4	G4CP-D	CL525	143
Sonata II (Y-3)	2.0 i	06.94 - 08.96	77	1997	4	G4CP	CL525	143
	2.0 i 16V	05.93 - 06.98	102	1997	4	G4CP-D	CL526	144
	2.0 i 16V	06.96 - 06.98	92	1997	4	G4CP-DM	CL525	143

CAR	MODEL	YEAR	kW	ccm	CYL	MOTOR	COIL TYPE	PAGE
HYUNDAI								
Sonata III (EF)	2.0 16V	06.98 - 10.01	100	1997	4	G4JP-G	CL515	142
	2.5V6 24V	06.98 - 10.01	118	2493	6	G6BV-G	CL528	144
Sonata IV (EU4)	2.0	10.01 - 11.04	96	1997	4	G4JP-EG	CL515	142
	2.7V6	10.01 - 11.04	127	2656	6	G6BA-G	CL528	144
Starex (H1)	2.4	06.97 -	82	2351	4	G4CS	CL515	142
							CL525	143
	2.4 4WD	02.98 -	82	2351	4	G4CS	CL515	142
							CL525	143
Terracan (HP)	3.5 iV6 4WD	12.01 -	143	3497	6	G6CU	CL553	148
Trajet (FO)	2.0	03.00 -	100	1997	4	G4JP-G	CL515	142
	2.0	01.04 -	103	1975	4	G4GC-G	CL515	142
	2.7V6	09.00 -	127	2656	6	G6BA-G	CL528	144
Tucson (JM)	2.0	08.04 -	104	1975	4	G4GC	CL515	142
	2.0 Allrad	08.04 -	104	1975	4	G4GC	CL515	142
XG 25	2.5	12.98 -	120	2493	6		CL553	148
XG 30/300	3.0	12.98 -	138	2972	6	G6CT-G	CL553	148
XG 350	3.5	04.03 -	145	3497	6	G6CU	CL553	148
INFINITI								
G20	2.0	01.90 - 12.97	85	1998	4	SR20DE	CL528	144
I30	3.0	01.97 -	142	2988	6	VQ30DE	CL535	145
							CL536	145
KIA								
Carens II (FJ)	1.6	07.02 -	77	1594	4		CL505	138
							CL530	144
	1.8	07.02 -	93	1793	4		CL505	138
Carnival II	2.5 V6	10.01 -	110	2497	6		CL531	145
Cerato	1.6	07.04 -	77	1599	4	G4ED	CL546	147
	2.0	04.04 -	105	1975	4	G4GC	CL565	152
Clarus (K9A)	1.8 i 16V	07.96 -	85	1793	4	T8	CL505	138
	2.0 i 16V	07.96 -	98	1998	4	FE (16 V)	CL545	147
Joice	2.0	02.00 -	102	1997	4		CL532	145
Magentis (GD)	2.0	05.01 -	100	1997	4		CL515	142
	2.5 V6	05.01 -	124	2493	6		CL528	144
Opirus	3.5	09.03 -	149	3497	6		CL553	148
Picanto (BA)	1.1	04.04 -	48	1086	4	G4HG	CL541	146
Pride (DA)	1.1 i	01.91 -	38	1138	4	B1	CL558	150
	1.3 i	01.90 -	51	1324	4		CL558	150
	1.3 16V	01.90 -	44	1324	4	B3	CL558	150
	1.3 16V	01.90 -	53	1324	4	B3	CL558	150
	1.3 16V	10.96 -	47	1324	4	B3	CL558	150
Pride Combi	1.3	08.99 -	47	1324	4		CL558	150
Rio (DC_)	1.3	09.00 - 02.05	55	1343	4		CL529	144
	1.3	08.02 - 02.05	60	1343	4		CL529	144
Rio Combi (DC)	1.5	08.00 - 02.05	72	1493	4		CL530	144
	1.5	09.02 - 02.05	71	1493	4		CL530	144
Rio II	1.6 16V	03.05 -	82	1599	4	G4ED	CL546	147
Sephia (FA)	1.5 i	02.96 -	59	1498	4	B5	CL504	138
Sephia (FA)	1.6 i	01.95 -	59	1598	4	B6	CL504	138
							CL505	138
	1.8 i 16V	01.95 -	82	1793	4	OK24N/OK26Y	CL505	138
Sephia Sedan (FA)	1.5 i	02.96 - 10.97	59	1498	4	B5	CL504	138
	1.6 i	09.93 -	59	1598	4	B6	CL504	138
	1.8 i 16V	01.95 -	82	1793	4	OK24N/OK26Y	CL505	138
Shuma (FB)	1.8 i 16V	10.97 - 03.01	81	1793	4		CL505	138
Sorento (JC)	2.4	08.02 -	102	2351	4	G4JS	CL515	142
Sportage (K00)	2.0 i 4WD	04.94 - 08.99	70	1998	4	FE	CL544	147
	2.0 i 16V	10.99 - 08.03	94	1998	4	FE	CL302	126
							CL548	148
	2.0 i 16V 4WD	04.94 - 08.03	94	1998	4	FE	CL302	126
							CL548	148

CAR	MODEL	YEAR	KW	ccm	CYL	MOTOR	COIL TYPE	PAGE
KIA								
Sportage (K00)	2.0	10.00 - 08.03	87	1998	4		CL548	148
	2.0 4WD	10.00 - 08.03	87	1998	4		CL548	148
Sportage (JE_)	2.0 16V	09.04 -	104	1975	4	G4GC	CL565	152
	2.0 16V 4WD	09.04 -	104	1975	4	G4GC	CL565	152
LANCIA								
Dedra (835)	1.6 i.e.	08.89 - 03.93	57	1581	4	835 A1.046	CL313	130
	1.6 i.e.	04.93 - 07.99	55	1581	4	835 C1.000	CL302	126
	1.6 16V	01.96 - 07.99	76	1581	4	182 A4.000	CL312	130
	1.8 i.e.	07.94 - 07.99	74	1756	4	836 A5.000	CL300	125
	1.8 16V LE	03.96 - 07.99	83	1747	4	182 A2.000	CL314	130
	1.8 GT 16V	03.96 - 07.99	96	1747	4	183 A1.000	CL314	130
Dedra SW (835)	1.6 16V	01.96 - 07.99	76	1581	4	182 A4.000	CL312	130
	1.8 i.e.	07.94 - 07.99	74	1756	4	836 A5.000	CL300	125
	1.8 16V LE	03.96 - 07.99	83	1747	4	182 A2.000	CL314	130
Delta I (831AB0)	1.3	09.79 - 08.92	55	1301	4	831 A2.000/831 B.000	CL308	128
	1.5	09.79 - 12.92	63	1498	4	831 A1.000/831 B1.000	CL308	128
	2.0 16V HF Evo Integrale	06.93 - 01.94	155	1995	4	831 E5.046/831 E5.000	CL300	125
Delta II (836)	1.4 i.e.	10.94 - 08.99	51	1372	4	836 A4.000	CL302	126
	1.4 i.e.	10.94 - 08.99	51	1372	4	160 A1.046	CL313	130
	1.6 i.e.	06.93 - 08.99	55	1581	4	835 C1.000	CL302	126
	1.6 i.e.	03.96 - 08.99	66	1581	4	182 A6.000	CL312	130
	1.6 i.e. 16V	01.96 - 08.99	76	1581	4	182 A4.000	CL312	130
	1.8 i.e.	06.93 - 08.99	76	1756	4	835 C2.000	CL314	130
	1.8 i.e.	12.94 - 08.99	76	1756	4	835 C2.000	CL300	125
	1.8 i.e.	07.94 - 08.99	66	1756	4	835 C4.000/836 C4.000/836 A6.000	CL300	125
	1.8 i.e. 16V	03.96 - 08.99	83	1747	4	182 A2.000	CL315	131
	1.8 i.e. 16V GT	03.96 - 08.99	96	1747	4	183 A1.000	CL315	131
	2.0 16V Turbo	06.93 - 08.99	137	1995	4	836 A2.000	CL300	125
	2.0 16V Turbo	07.96 - 08.99	142	1995	4	175 A4.000	CL300	125
Kappa (838A)	2.0 16V Turbo	02.95 - 10.01	151	1995	4	838 A4.000	CL302	126
	2.0 20V	10.94 - 10.01	107	1998	5	838 A1.000	CL317	131
	2.0 20V	07.96 - 10.01	114	1998	5	838 A6.000	CL317	131
							CL318	131
	2.0 20V Turbo	06.98 - 10.01	162	1998	5	175 A3.000	CL317	131
	2.4 20V	08.94 - 10.01	129	2446	5	838 A2.000/838 A2.027	CL317	131
							CL318	131
Kappa Coupe (838)	3.0 24V	08.94 - 10.01	150	2959	6	838 B.000	CL320	132
	2.0 20V	07.96 - 03.01	114	1998	5	838 A6.000	CL317	131
	2.0 16V Turbo	11.96 - 03.01	151	1995	4	838 A4.000	CL302	126
	2.4 20V	11.96 - 03.01	129	2446	5	838 A2.000	CL317	131
Kappa SW (838B)	3.0 24V	11.96 - 03.01	150	2959	6	838 B.000	CL320	132
	2.0 16V Turbo	07.96 - 10.01	151	1995	4	838 A4.000	CL302	126
	2.0 20V	07.96 - 10.01	114	1998	5	838 A6.000	CL317	131
							CL318	131
Kappa SW (838B)	2.0 20V Turbo	06.98 - 10.01	162	1998	5	175 A3.000	CL317	131
	2.4 20V	07.96 - 10.01	129	2446	5	838 A2.000	CL317	131
							CL318	131
	3.0 24V	07.96 - 10.01	150	2959	6	838 B.000	CL320	132
Lybra (839AX)	1.6 16V	07.99 -	76	1581	4	182 A4.000	CL312	130
	1.8 16V	07.99 -	96	1747	4	839 A7.000/839 A9.000/839 A4.000	CL315	131
	2.0 20V	07.99 - 09.00	113	1998	5	182 B7.000	CL318	131
	2.0 20V	09.00 -	110	1998	5	185 A8.000	CL318	131
Lybra SW (839BX)	1.6 16V	07.99 -	76	1581	4	182 A4.000	CL312	130
	1.8 16V	07.99 -	96	1747	4	839 A7.000/839 A4.000	CL315	131
	2.0 20V	07.99 - 09.00	113	1998	5	182 B7.000	CL318	131
	2.0 20V	09.00 -	110	1998	5	185 A8.000	CL318	131
Musa	1.4	10.04 -	70	1368	4	843 A 1.000	CL310	129
	1.4	09.05 -	57	1368	4	350 A1.000	CL309	129
Phedra (179)	3.0 V6	09.02 -	150	2946	6	ES9 J45	CL135	113
Thema (834)	2.0 16V	08.92 - 12.93	112	1995	4	834 F1.000	CL302	126

CAR	MODEL	YEAR	kW	ccm	CYL	MOTOR	COIL TYPE	PAGE
LANCIA								
Thema (834)	2.0 16V Turbo	12.88 - 06.90	133	1995	4	834 C1.000	CL300	125
	2.0 16V Turbo	10.92 - 07.94	148	1995	4	834 F2.000	CL302	126
	2.0 i.e.	03.86 - 09.88	83	1995	4	834 B.048	CL313	130
	2.0 i.e.	09.87 - 05.92	85	1995	4	834 B.146	CL302	126
	2.0 i.e.	10.88 - 05.92	85	1995	4	834 B.146	CL313	130
	2.0 i.e.	09.88 - 05.92	86	1995	4	834 B1.000	CL313	130
	2.0 i.e. Turbo	07.86 - 05.90	110	1995	4	834 C.146	CL313	130
	2.0 i.e. 16V	02.89 - 05.92	104	1995	4	834 B2.246	CL300	125
	2.0 i.e. 16V Turbo	04.89 - 05.92	130	1995	4	834 C1.246	CL300	125
Thema SW (834)	2.0 Turbo	01.89 - 03.92	110	1995	4	834 C.146	CL300	125
	2.0 16V	05.92 - 07.94	112	1995	4	834 F1.000	CL302	126
	2.0 16V Turbo	11.92 - 07.94	148	1995	4	834 F2.000	CL302	126
	2.0 i.e. 16V	02.89 - 05.92	104	1995	4	834 B2.246	CL300	125
	2.0 i.e. 16V Turbo	12.88 - 06.90	133	1995	4	834 C1.000	CL300	125
	2.0 i.e. 16V Turbo	04.89 - 03.93	130	1995	4	834 C1.246	CL300	125
Thesis (841AX)	2.0 Turbo	07.02 -	136	1998	5	841 E.000	CL318	131
	2.4	07.02 -	125	2446	5	841 D.000	CL318	131
	3.0 V6	07.02 -	158	2959	6	841 A.000	CL320	132
Y (840A)	1.1	11.95 - 09.03	40	1108	4	176 B2.000	CL300	125
	1.2	03.96 - 09.03	44	1242	4	840 A3.000/188 A4.000	CL300	125
	1.2 16V	04.97 - 09.03	63	1242	4	176 B9.000	CL300	125
	1.2 16V	10.00 - 09.03	59	1242	4	188 A5.000	CL302	126
	1.4 12V	03.96 - 09.03	55	1370	4	840 A4.000	CL302	126
	1.4 12V	10.96 - 09.03	59	1370	4	840 A2.000	CL302	126
Y10 (156)	1.0 Fire	06.85 - 06.91	32	999	4	156 A 2.100	CL304	127
	1.0 Fire 4WD	12.86 - 02.89	32	999	4	156 A 2.100	CL304	127
	1.0 Fire cat	10.87 - 02.92	33	999	4	156 A2.246	CL304	127
	1.1 Avenue	01.95 - 12.95	40	1108	4	176 B2.000	CL302	126
	1.1 Avenue 4WD	01.95 - 12.95	40	1108	4	176 B2.000	CL302	126
	1.1 i.e.	08.89 - 06.92	42	1108	4	156 C.000	CL308	128
	1.1 i.e. Fire	07.89 - 09.92	37	1108	4	156 C.046	CL304	127
	1.1 i.e. Fire	10.92 - 09.95	37	1108	4	156 C.046	CL302	126
	1.1 i.e. Fire 4WD	09.92 - 12.95	37	1108	4	156 C.046	CL302	126
	1.3 i.e. Fire	02.89 - 12.95	53	1297	4	156 B.000/146 A 5.046	CL303	127
1.3 i.e. Fire	09.92 - 12.95	53	1297	4	156 B.000/146 A 5.046	CL313	130	
Ypsilon	1.2	10.03 -	44	1242	4	188 A4.000	CL300	125
	1.2	10.03 -	59	1242	4	188 A5.000	CL310	129
	1.4	02.06 -	57	1368	4	350 A1.000	CL309	129
	1.4 16V	10.03 -	70	1368	4	843 A 1.000	CL310	129
LANDROVER								
Discovery II (LJ, LT)	4.0 V8	11.98 -	136	3950	8		CL302	126
Freelander (LN)	1.8 i 16V	02.98 - 11.00	88	1796	4		CL700	161
	2.5 V6	11.00 -	130	2497	6	25 K4F	CL702	162
Freelander Soft Top	1.8 i 16V	02.98 -	88	1796	4	18 K4F	CL700	161
Range Rover II (LP)	3.9	07.94 - 03.02	140	3947	8	42 D	CL302	126
	4.0	06.98 - 03.02	136	3950	8		CL302	126
	4.6	07.94 - 03.02	165	4553	8	46 D	CL302	126
	4.6	06.98 - 03.02	160	4554	8		CL302	126
Range Rover III (LM)	4.4	03.02 -	210	4398	8		CL600	152
MAZDA								
121 I (DA)	1.1	10.87 - 10.90	42	1139	4	B1/B116	CL507	139
	1.3	10.87 - 11.90	44	1324	4	B3	CL507	139
	1.3	04.89 - 10.90	40	1324	4	B3	CL507	139
121 II (DB)	1.3 16V	11.90 - 03.96	39	1324	4	B3 (16V)	CL507	139
	1.3 16V	11.90 - 03.96	53	1324	4	B3 (16V)	CL507	139
121 III (JASM, JBSM)	1.25	03.96 -	55	1242	4	DHG/DHF	CL401	134
323 III (BF)	1.4	04.87 - 07.89	44	1324	4	B3	CL507	139
323 III Hatchback (BF)	1.4	09.87 - 10.89	44	1324	4	B3	CL507	139
323 III Station Wagon (BW)	1.6	09.86 - 10.95	63	1598	4	B65M /B6E	CL507	139
	1.6 4x4	05.90 - 03.93	63	1598	4	B65M /B6E	CL507	139

CAR	MODEL	YEAR	kW	ccm	CYL	MOTOR	COIL TYPE	PAGE
MAZDA								
323 C IV (BG)	1.3	09.89 - 07.94	49	1324	4	B3E	CL507	139
	1.3 16V	09.89 - 07.94	54	1324	4		CL507	139
	1.3 16V	04.91 - 07.94	54	1324	4		CL506	139
	1.6	09.89 - 06.91	62	1598	4	B6E	CL507	139
	1.6 16V	03.91 - 10.94	65	1598	4	B6	CL507	139
	1.8 16V 4WD	11.91 - 12.93	76	1840	4	BP	CL506	139
323 CV (BA)	1.3 16V	08.94 - 09.98	54	1324	4	B3 (16V)	CL507	139
323 F IV (BG)	1.6	09.89 - 06.91	62	1598	4	B6E	CL506	139
							CL507	139
	1.6 16V	03.91 - 10.94	65	1598	4	B6	CL506	139
							CL507	139
	1.8 16V	08.89 - 07.94	76	1840	4	BP	CL506	139
	1.8 16V GT	08.89 - 07.94	94	1840	4	BP (DOHC)	CL506	139
323 S IV (BG)	1.3	09.89 - 06.91	49	1324	4	B3E/B383	CL507	139
	1.3 16V	04.91 - 07.94	54	1324	4	B3 (16V)	CL506	139
							CL507	139
	1.6	09.89 - 06.91	62	1598	4	B6E	CL506	139
							CL507	139
	1.6 16V	08.89 - 10.94	65	1598	4	B6	CL506	139
						CL507	139	
	1.8 16V	08.89 - 07.94	76	1840	4	BP52	CL506	139
	1.8 16V Turbo 4WD	01.91 - 07.94	120	1840	4	BP Turbo	CL506	139
626 III (GD)	2.0 12V	09.87 - 05.92	79	1998	4	FE (12V)	CL559	150
	2.0 16V	11.87 - 05.92	103	1998	4	FE Kat. (16V)	CL559	150
	2.2 12V	11.87 - 07.91	85	2184	4	F2	CL559	150
	2.2 12V 4WD	01.90 - 05.92	85	2184	4		CL559	150
626 III Coupe (GD)	2.0 12V	09.87 - 12.88	79	1984	4	FE (12V)	CL559	150
	2.0 16V	12.87 - 10.90	103	1998	4	FE Kat. (16V)	CL559	150
	2.2 12V	04.88 - 12.91	85	2184	4	F2	CL559	150
626 III Hatchback (GD)	2.0 12V	11.87 - 05.92	79	1984	4	FE (12V)	CL559	150
	2.0 16V	11.87 - 10.90	103	1998	4	FE Kat. (16V)	CL559	150
	2.2 12V	06.88 - 04.92	85	2184	4	F2	CL559	150
	2.2 12V 4WD	11.87 - 07.90	85	2184	4	F2	CL559	150
626 III Station Wagon (GV)	2.0	10.88 - 09.97	66	1998	4	FE	CL559	150
	2.0 16V	01.88 - 03.92	103	1998	4	FE Kat. (16V)	CL559	150
	2.2 12V	03.89 - 11.96	85	2184	4	F2	CL559	150
	2.2 12V 4WD	05.91 - 11.92	85	2184	4	F2L1/F2	CL559	150
626 V (GF)	1.8	05.97 - 12.99	66	1840	4		CL400	132
	2.0	05.97 - 10.02	85	1991	4	F5	CL400	132
626 V Hatchback (GF)	1.8	05.97 - 12.99	66	1840	4		CL400	132
	2.0	05.97 - 10.02	85	1991	4	F5	CL400	132
929 III (HC)	3.0	06.87 - 06.91	140	2954	6	JE	CL559	150
	3.0	01.88 - 12.89	125	2954	6	JE3	CL559	150
	3.0	01.90 - 06.91	123	2954	6	JE3	CL559	150
MX-3 (EC)	1.6 i	07.91 -	65	1598	4	B69	CL506	139
Tribute (EP)	2.0	03.00 -	91	1989	4		CL401	134
	2.0 4WD	03.00 -	91	1989	4		CL401	134
MERCEDES								
190 E (W201)	2.3	09.85 - 12.87	125	2298	4	M 102.983	CL609	158
							CL614	160
190 E (W201)	2.3	09.85 - 08.88	130	2298	4	M 102.983	CL609	158
							CL614	160
190 E (W201)	2.3	04.84 - 01.87	136	2298	4	M 102.983	CL609	158
							CL614	160
190 E (W201)	2.5	03.89 - 08.93	143	2498	4	M 102.991	CL609	158
							CL614	160
190 E (W201)	2.5	09.88 - 08.93	150	2498	4	M 102.990	CL609	158
							CL614	160
190 E II (W201)	2.5	05.90 - 08.93	173	2498	4	M 102.992	CL609	158
							CL614	160

CAR	MODEL	YEAR	kW	ccm	CYL	MOTOR	COIL TYPE	PAGE
MERCEDES								
200 (W124)	2.0	01.86 - 05.90	75	1996	4	M 102.922	CL609	158
							CL614	160
200 (W124)	2.0	01.86 - 05.90	77	1996	4	M 102.922	CL609	158
							CL614	160
200 (W124)	2.0	12.85 - 05.90	80	1996	4	M 102.922	CL609	158
							CL614	160
200 E (W124)	2.0	09.88 - 08.92	87	1996	4	M 102.963	CL609	158
		09.88 - 12.89	90	1996	4	M 102.963	CL609	158
		10.92 - 06.93	100	1998	4	M 111.940	CL611	159
200 T (S124)	2.0	01.86 - 05.90	77	1996	4	M 102.922	CL609	158
							CL614	160
200 T (S124)	2.0	09.85 - 08.89	80	1996	4	M 102.922	CL609	158
							CL614	160
200 TE (S124)	2.0	09.88 - 08.92	87	1996	4	M 102.963	CL609	158
							CL614	160
200 TE (S124)	2.0	09.88 - 12.89	90	1996	4	M 102.962	CL609	158
							CL614	160
200 TE (S124)	2.0	10.92 - 06.93	100	1998	4	M 111.940	CL611	159
220 CE Coupe (C124)	2.2	10.92 - 05.93	110	2199	4	M 111.960	CL611	159
220 E (W124)	2.2	10.92 - 06.93	110	2199	4	M 111.960	CL611	159
220 TE (S124)	2.2	10.92 - 05.93	110	2199	4	M 111.960	CL611	159
230 CE Coupe (C124)	2.3	03.87 - 12.92	97	2298	4	M 102.982	CL609	158
							CL614	160
230 CE Coupe (C124)	2.3	03.87 - 12.92	100	2298	4	M 102.982	CL609	158
							CL614	160
230 CE Coupe (C124)	2.3 cat	06.89 - 12.92	97	2298	4	M 102.982	CL609	158
							CL614	160
230 E (W124)	2.3	09.88 - 08.92	87	1996	4	M 102.963	CL614	160
230 E (W124)	2.3	09.88 - 12.89	90	1996	4	M 102.963	CL614	160
230 E (W124)	2.3	12.84 - 03.92	97	2298	4	M 102.982	CL609	158
230 E (W124)	2.3	01.85 - 06.93	100	2298	4	M 102.982	CL609	158
							CL614	160
230 E (W124)	2.3 cat	06.89 - 06.93	97	2298	4	M 102.982	CL609	158
							CL614	160
230 GE (W463)	2.3	06.90 - 06.93	93	2298	4	M 102.989	CL609	158
							CL614	160
230 GE Cabrio (W463)	2.3	06.90 - 02.93	93	2298	4	M 102.989	CL609	158
							CL614	160
230 TE (S124)	2.3	09.85 - 08.92	97	2298	4	M 102.982	CL609	158
							CL614	160
230 TE (S124)	2.3	09.85 - 08.92	100	2298	4	M 102.982	CL609	158
							CL614	160
230 TE (S124)	2.3 cat	06.89 - 08.92	97	2298	4	M 102.982	CL609	158
							CL614	160
260 E (W124)	2.6	09.85 - 08.92	118	2597	6	M 103.940	CL609	158
							CL614	160
260 E (W124)	2.6	09.85 - 12.89	122	2597	6	M 103.940	CL609	158
							CL614	160
260 E 4-matic (W124)	2.6	09.86 - 08.92	118	2597	6	M 103.943	CL609	158
260 E 4-matic (W124)	2.6	12.86 - 12.89	122	2597	6	M 103.940	CL609	158
260 SE (W126)	2.6	09.85 - 06.91	118	2597	6	M 103.941	CL609	158
							CL614	160
260 SE (W126)	2.6	09.85 - 06.91	122	2597	6	M 103.941	CL609	158
							CL614	160
280 E (W124)	2.8	10.92 - 06.93	145	2799	6	M 104.942	CL604	155
280 TE (S124)	2.8	10.92 - 06.93	145	2799	6	M 104.942	CL604	155
300 CE Cabrio (A124)	3.0	04.92 - 06.93	162	2960	6	M 104.980	CL612	159
300 CE Coupe (C124)	3.0	09.89 - 12.92	162	2960	6	M 104.980	CL612	159
300 E (W124)	3.0	09.88 - 08.92	162	2960	6	M 104.980	CL612	159

CAR	MODEL	YEAR	KW	CCM	CYL	MOTOR	COIL TYPE	PAGE
MERCEDES								
300 GE (W463)	3.0	06.90 -	125	2960	6	M 103.987	CL609	158
							CL614	160
300 GE (W463)	3.0	06.90 -	128	2960	6	M 103.987	CL609	158
		06.90 - 07.93	128	2960	6	M 103.987	CL614	160
		08.90 - 07.93	128	2960	6	M 103.987	CL612	159
300 GE Cabrio (W463)	3.0	09.89 - 09.97	125	2960	6	M 103.987	CL609	158
							CL614	160
300 SE,SEL (W126)	3.0	01.86 - 06.91	132	2960	6	M 103.981	CL609	158
							CL614	160
300 SE,SEL (W126)	3.0	09.85 - 12.89	138	2960	6	M 103.981	CL609	158
							CL614	160
300 TE (S124)	3.0	09.89 - 08.92	162	2960	6	M 104.980	CL612	159
320 E (W124)	3.2	10.92 - 06.93	162	3199	6	M 104.992	CL604	155
320 CE Coupe (C124)	3.2	10.92 - 05.93	162	3199	6	M 104.992	CL604	155
320 TE (S124)	3.2	10.92 - 06.93	162	3199	6	M 104.992	CL604	155
380 SE,SEL (W126)	3.8	12.79 - 08.85	150	3839	8	M 116.963	CL609	158
380 SEC (C126)	3.8	10.81 - 07.85	150	3839	8	M 116.963	CL609	158
400 E (W124)	4.2	10.92 - 06.93	205	4196	8	M 119.975	CL612	159
							CL613	160
420 SE,SEL (W126)	4.2	10.85 - 06.91	150	4196	8	M 116.965	CL612	159
		10.85 - 12.87	160	4196	8	M 116.965	CL612	159
		10.85 - 06.91	165	4196	8	M 116.965	CL612	159
		10.85 - 12.87	170	4196	8	M 116.965	CL612	159
420 SEC (C126)	4.2	10.85 - 06.91	150	4196	8	M 116.965	CL612	159
		10.85 - 12.87	160	4196	8	M 116.965	CL612	159
		10.85 - 06.91	165	4196	8	M 116.965	CL612	159
420 SL (R107)	4.2	01.86 - 08.89	150	4196	8	M 116.964	CL613	160
		01.86 - 08.89	160	4196	8	M 116.964	CL613	160
500 E (W124)	5.0	01.91 - 06.93	240	4973	8	M 119.974 (ch.No.-B568955)	CL614	160
							CL609	158
500 E (W124)	5.0	01.91 - 06.93	240	4973	8	M 119.974 (ch.No.B568956-)	CL613	160
							CL612	159
500 E AMG (W124)	6.0	01.92 - 06.93	275	5956	8	(ch.No.-B568955)	CL614	160
							CL609	158
500 E AMG (W124)	6.0	01.92 - 06.93	275	5956	8	(ch.No.B568956-)	CL613	160
							CL612	159
500 SE,SEL (W126)	5.0	12.79 - 08.85	170	4973	8	M 117.961/M 117.963	CL609	158
		12.79 - 08.85	177	4973	8	M 117.961/M 117.963	CL609	158
		09.85 - 06.91	164	4973	8	M 117.965	CL612	159
		09.85 - 06.91	180	4973	8	M 117.965	CL612	159
		09.87 - 06.91	185	4973	8	M 117.965	CL612	159
		09.87 - 06.91	195	4973	8	M 117.965	CL612	159
		5.0 cat	06.89 - 06.91	185	4973	8	M 117.965	CL612
500 SEC (C126)	5.0	10.81 - 08.85	170	4973	8	M 117.963	CL609	158
		10.85 - 06.91	164	4973	8	M 117.965	CL612	159
		09.85 - 06.91	180	4973	8	M 117.965	CL612	159
		08.87 - 06.91	185	4973	8	M 117.965	CL612	159
		09.85 - 06.91	195	4973	8	M 117.965	CL612	159
		5.0 cat	06.89 - 06.91	185	4973	8	M 117.965	CL612
500 SL (R107)	5.0	05.80 - 12.85	170	4973	8	M 117.960	CL609	158
		05.80 - 12.81	177	4973	8	M 117.960	CL609	158
		01.86 - 08.89	164	4973	8	M 117.964	CL613	160
		01.86 - 08.89	180	4973	8	M 117.964/M 117.960	CL613	160
560 SE,SEL (W126)	5.6	10.85 - 06.91	178	5547	8	M 117.968	CL612	159
		10.85 - 12.87	200	5547	8	M 117.968	CL612	159
		10.85 - 06.91	220	5547	8	M 117.968	CL612	159
		08.87 - 06.91	205	5547	8	M 117.968	CL612	159
560 SEC (C126)	5.6	10.85 - 06.91	178	5547	8	M 117.968	CL612	159
		10.85 - 12.87	200	5547	8	M 117.968	CL612	159
		10.85 - 06.91	205	5547	8	M 117.968	CL612	159

CAR	MODEL	YEAR	kW	ccm	CYL	MOTOR	COIL TYPE	PAGE
MERCEDES								
560 SEC (C126)	5.6	10.85 - 12.89	220	5547	8	M 117.968	CL612	159
A 140 (W168)	1.4	07.97 - 08.04	60	1397	4	M 166.940	CL610	159
	1.6	01.01 - 08.04	60	1598	4	M 166.960	CL610	159
A 150	1.5	09.04 -	70	1498	4	M 266.920	CL605	156
A 160 (W168)	1.4	07.97 - 08.04	75	1598	4	M 166.960	CL610	159
A 170	1.7	09.04 -	85	1699	4	M 266.940	CL605	156
A 190 (W168)	1.9	03.99 - 08.04	92	1898	4	M 166.990	CL610	159
A 200	2.0	09.04 -	100	2034	4	M 266.960	CL605	156
A 210 (W168)	2.1	03.02 - 08.04	103	2084	4	M 166.995	CL610	159
B 150	1.5	03.05 -	70	1498	4	M 266.920	CL605	156
B 170	1.7	03.05 -	85	1699	4	M 266.940	CL605	156
B 200	2.0	03.05 -	100	2034	4	M 266.960	CL605	156
	2.0 Turbo	03.05 -	142	2034	4	M 266.980	CL605	156
C 180 (W202)	1.8	11.94 - 05.00	89	1799	4	M 111.921	CL604	155
							CL606	157
C 180 (W202)	1.8	03.93 - 05.00	90	1799	4	M 111.921/M 111.920	CL604	155
							CL606	157
							CL611	159
C 180 (W203)	2.0	10.00 - 05.02	95	1998	4	M 111.951	CL616	161
C 180 Coupe (CL203)	2.0	03.01 - 05.02	95	1998	4	M 111.951	CL616	161
C 180 T (S202)	1.8	06.96 - 09.00	90	1799	4	M 111.921/M 111.920	CL604	155
							CL606	157
							CL611	159
C 180 T (S202)	2.0	09.00 - 03.01	95	1998	4	M 111.952	CL616	161
C 180 T (S203)	2.0	03.01 - 05.02	95	1998	4	M 111.951	CL616	161
C 200 (W202)	2.0	01.94 - 05.00	100	1998	4	M 111.945/M 111.941	CL604	155
							CL606	157
							CL611	159
C 200 Kompr. (W202)	2.0	10.95 - 05.00	132	1998	4	M 111.944	CL604	155
							CL606	157
C 200 Kompr. (W202)	2.0	11.96 - 05.00	141	1998	4	M 111.944	CL604	155
							CL606	157
C 200 Kompr. (W203)	2.0	05.00 - 05.02	120	1998	4	M 111.955	CL616	161
C 200 Kompr. Coupe (CL203)	2.0	03.01 - 05.02	120	1998	4	M 111.955	CL616	161
C 200 T (S202)	2.0	06.96 - 03.01	100	1998	4	M 111.945/M 111.941	CL604	155
							CL606	157
							CL611	159
C 200 T Kompr. (S202)	2.0	11.96 - 03.01	141	1998	4	M 111.944	CL604	155
							CL606	157
C 200 T Kompr. (S202)	2.0	09.00 - 03.01	120	1998	4	M 111.956	CL616	161
C 200 T Kompr. (S203)	2.0	03.01 - 05.02	120	1998	4	M 111.955	CL616	161
C 220 (W202)	2.2	03.93 - 05.00	110	2199	4	M 111.961	CL611	159
C 230 (W202)	2.3	06.96 - 06.97	110	2295	4	M 111.974	CL604	155
							CL606	157
C 230 Kompr. (W202)	2.3	10.95 - 05.00	142	2295	4	M 111.975	CL604	155
							CL606	157
C 230 Kompr. Coupe (CL203)	2.3	03.01 - 05.02	145	2295	4	M 111.981	CL616	161
C 230 T (S202)	2.3	06.96 - 06.98	110	2295	4	M 111.974	CL604	155
							CL606	157
C 230 T Kompr. (S202)	2.3	06.97 - 09.00	142	2295	4	M 111.975	CL604	155
							CL606	157
C 240 (W202)	2.4	06.97 - 05.00	125	2398	6	M 112.910	CL605	156
C 240 (W203)	2.6	05.00 -	125	2597	6	M 112.912	CL605	156
C 240 4-matic (W203)	2.6	07.02 -	125	2597	6	M 112.916	CL605	156
C 240 T (S202)	2.4	06.97 - 09.00	125	2398	6	M 112.910	CL605	156
C 240 T (S202)	2.6	09.00 - 03.01	125	2597	6	M 112.915	CL605	156
C 240 T (S203)	2.6	03.01 -	125	2597	6	M 112.912	CL605	156
C 240 T 4-matic (S203)	2.6	07.02 -	125	2597	6	M 112.916	CL605	156
C 280 (W202)	2.8	05.93 - 05.00	142	2799	6	M 104.941	CL604	155
							CL606	157

CAR	MODEL	YEAR	kW	ccm	CYL	MOTOR	COIL TYPE	PAGE
MERCEDES								
C 280 (W202)	2.8	06.97 - 05.00	145	2799	6	M 112.920	CL605	156
C 280 T (S202)	2.8	06.97 - 03.01	145	2799	6	M 112.920	CL605	156
C 32 AMG Kompr. (W203)	3.2	02.01 -	260	3199	6	M 112.961	CL605	156
C 32 T AMG Kompr. (S203)	3.2	03.01 -	260	3199	6	M 112.961	CL605	156
C 320 (W203)	3.2	05.00 -	160	3199	6	M 112.946	CL605	156
C 320 4-matic (W203)	3.2	07.02 -	160	3199	6	M 112.953	CL605	156
C 320 Coupe (CL203)	3.2	09.02 -	160	3199	6	M 112.946	CL605	156
C 320 T (S203)	3.2	03.01 -	160	3199	6	M 112.946	CL605	156
C 320 T 4-matic (S203)	3.2	07.02 -	160	3199	6	M 112.953	CL605	156
C 350 (W203)	3.5	01.05 -	200	3498	6	M 272.960	CL605	156
C 350 4-matic (W203)	3.5	01.05 -	200	3498	6	M 272.970	CL605	156
C 350 Coupe (CL203)	3.5	01.05 -	200	3498	6	M 272.960	CL605	156
C 350 T (S203)	3.5	01.05 -	200	3498	6	M 272.960	CL605	156
C 350 T 4-matic (S203)	3.5	01.05 -	200	3498	6	M 272.970	CL605	156
C 36 AMG (W202)	3.6	05.94 - 05.00	206	3606	6	M 104.941	CL606	157
C 43 AMG (S202)	4.3	08.97 - 03.01	225	4266	8	M 113.944	CL605	156
C 43 AMG (W202)	4.3	08.97 - 05.00	225	4266	8	M 113.944	CL605	156
C 55 AMG (W203)	5.4	02.04 -	270	5439	8	M 113.988	CL605	156
C 55 T AMG (S203)	5.4	02.04 -	270	5439	8	M 113.988	CL605	156
CL 500 Coupe (C215)	5.0	03.99 - 03.06	225	4966	8	M 113.960	CL605	156
CL 55 AMG Coupe (C215)	5.4	10.99 - 03.06	265	5439	8	M 113.986	CL605	156
CL 55 AMG Kompr. Coupe (C215)	5.4	06.02 - 03.06	368	5439	8	M 113.991	CL605	156
CLK 200 (C208)	2.0	06.97 - 06.02	100	1998	4	M 111.945/M 111.941	CL604	155
							CL606	157
CLK 200 Cabrio (A208)	2.0	03.98 - 03.02	100	1998	4	M 111.945/M 111.941	CL604	155
							CL606	157
CLK 200 Kompr. (C208)	2.0	06.97 - 06.00	141	1998	4	M 111.944	CL604	155
							CL606	157
CLK 200 Kompr. (C208)	2.0	06.00 - 06.02	120	1998	4	M 111.956	CL616	161
CLK 200 Kompr. Cabrio (A208)	2.0	03.98 - 06.00	141	1998	4	M 111.944	CL604	155
							CL606	157
CLK 200 Kompr. Cabrio (A208)	2.0	06.00 - 03.02	120	1998	4	M 111.956	CL616	161
CLK 230 Kompr. (C208)	2.3	06.97 - 06.00	142	2295	4	M 111.975/M 111.973	CL604	155
							CL606	157
CLK 230 Kompr. (C208)	2.3	06.00 - 06.02	145	2295	4	M 111.982	CL616	161
CLK 230 Kompr. Cabrio (A208)	2.3	03.98 - 06.00	142	2295	4	M 111.975/M 111.973	CL604	155
							CL606	157
CLK 230 Kompr. Cabrio (A208)	2.3	06.00 - 03.02	145	2295	4	M 111.982	CL616	161
CLK 240 (C209)	2.6	06.02 -	125	2597	6	M 112.912	CL605	156
CLK 240 Cabrio (A209)	2.6	02.03 -	125	2597	6	M 112.912	CL605	156
CLK 320 (C208)	3.2	06.97 - 06.02	160	3199	6	M 112.940	CL605	156
CLK 320 (C209)	3.2	06.02 -	160	3199	6	M 112.955	CL605	156
CLK 320 Cabrio (A208)	3.2	03.98 - 03.02	160	3199	6	M 112.940	CL605	156
CLK 320 Cabrio (A209)	3.2	02.03 -	160	3199	6	M 112.955	CL605	156
CLK 430 (C208)	4.3	07.98 - 06.02	205	4266	8	M 113.943	CL605	156
CLK 430 Cabrio (A208)	4.3	09.98 - 03.02	205	4266	8	M 113.943	CL605	156
CLK 500 (C209)	5.0	06.02 -	225	4966	8	M 113.968	CL605	156
CLK 500 Cabrio (A209)	5.0	02.03 -	225	4966	8	M 113.968	CL605	156
CLK 55 AMG (C208)	5.4	08.99 - 06.02	255	5439	8	M 113.981/M 113.984	CL605	156
CLK 55 AMG (C209)	5.4	09.02 -	270	5439	8	M 113.987	CL605	156
CLK 55 AMG Cabrio (A208)	5.4	01.00 - 03.02	255	5439	8	M 113.981/M 113.984	CL605	156
CLK 55 AMG Cabrio (A209)	5.4	02.03 -	270	5439	8	M 113.987	CL605	156
CLS 500 (C219)	5.0	10.04 -	225	4966	8	M 113.967	CL605	156
CLS 55 AMG (C219)	5.4	01.05 -	350	5439	8	M 113.990	CL605	156
E 200 (W124)	2.0	06.93 - 06.95	100	1998	4	M 111.940	CL611	159
E 200 (W210)	2.0	06.95 - 08.00	100	1998	4	M 111.942	CL604	155
							CL606	157
E 200 Cabrio (A124)	2.0	06.93 - 03.98	100	1998	4	M 111.940	CL611	159
E 200 Coupe (C124)	2.0	06.93 - 06.97	100	1998	4	M 111.940	CL611	159
E 200 Kompr. (W210)	2.0	06.97 - 03.02	137	1998	4	M 111.947	CL606	157

CAR	MODEL	YEAR	KW	CCM	CYL	MOTOR	COIL TYPE	PAGE
MERCEDES								
E 200 Kompr. (W210)	2.0	08.00 - 03.02	120	1998	4	M 111.957	CL616	161
E 200 T (S124)	2.0	06.93 - 06.96	100	1998	4	M 111.940	CL611	159
E 200 T (S210)	2.0	06.96 - 08.00	100	1998	4	M 111.942	CL604	155
							CL606	157
E 200 T Kompr. (S210)	2.0	06.97 - 03.03	137	1998	4	M 111.947	CL606	157
E 200 T Kompr. (S210)	2.0	08.00 - 03.03	120	1998	4	M 111.957	CL616	161
E 220 (W124)	2.2	06.93 - 06.95	110	2199	4	M 111.960	CL611	159
E 220 Cabrio (A124)	2.2	06.93 - 03.98	110	2199	4	M 111.960	CL611	159
E 220 Coupe (C124)	2.2	06.93 - 06.97	110	2199	4	M 111.960	CL611	159
E 220 T (S124)	2.2	06.93 - 06.96	110	2199	4	M 111.960	CL611	159
E 230 (W210)	2.3	06.95 - 06.97	110	2295	4	M 111.970	CL604	155
							CL606	157
E 230 T (S210)	2.3	06.96 - 06.97	110	2295	4	M 111.970	CL604	155
							CL606	157
E 240 (W210)	2.4	06.97 - 08.00	125	2398	6	M 112.911	CL605	156
							CL605	156
E 240 (W211)	2.6	08.00 - 03.02	125	2597	6	M 112.914	CL605	156
							CL605	156
E 240 (W211)	2.6	03.02 -	130	2597	6	M 112.917/M 112.913	CL605	156
E 240 4-matic (W211)	2.6	03.03 -	130	2597	6	M 112.917	CL605	156
E 240 T (S210)	2.4	06.97 - 03.03	125	2398	6	M 112.911	CL605	156
							CL605	156
E 240 T (S211)	2.6	08.00 - 03.03	125	2597	6	M 112.914	CL605	156
							CL605	156
E 240 T (S211)	2.6	03.03 -	130	2597	6	M 112.913	CL605	156
E 240 T 4-matic (S211)	2.6	07.03 -	130	2597	6	M 112.917	CL605	156
E 280 (W124)	2.8	06.93 - 06.95	145	2799	6	M 104.942	CL604	155
E 280 (W210)	2.8	12.96 - 03.02	150	2799	6	M 112.921	CL605	156
E 280 4-matic (W210)	2.8	12.96 - 03.02	150	2799	6	M 112.921	CL605	156
E 280 long (W124)	2.8	06.93 - 06.95	142	2799	6	M 104.942	CL604	155
E 280 T (S124)	2.8	06.93 - 06.96	142	2799	6	M 104.942	CL604	155
							CL604	155
E 280 T (S210)	2.8	06.93 - 06.96	145	2799	6	M 104.942	CL604	155
							CL604	155
E 280 T (S210)	2.8	12.96 - 03.03	150	2799	6	M 112.921	CL605	156
E 280 T 4-matic ((S210)	2.8	12.96 - 03.03	150	2799	6	M 112.921	CL605	156
E 320 (W124)	3.2	06.93 - 06.95	162	3199	6	M 104.992	CL604	155
E 320 (W210)	3.2	06.95 - 06.97	162	3199	6	M 104.992	CL604	155
							CL604	155
E 320 (W211)	3.2	06.97 - 03.02	165	3199	6	M 112.941	CL605	156
							CL605	156
E 320 (W211)	3.2	03.02 -	165	3199	6	M 112.949	CL605	156
E 320 4-matic (W210)	3.2	06.97 - 03.02	165	3199	6	M 112.941	CL605	156
E 320 4-matic (W211)	3.2	03.03 -	165	3199	6	M 112.954	CL605	156
E 320 Cabrio (A124)	3.2	06.93 - 03.98	162	3199	6	M 104.992/M 104.995	CL604	155
E 320 Coupe (C124)	3.2	06.93 - 06.97	162	3199	6	M 104.992	CL604	155
E 320 T (S124)	3.2	06.93 - 06.96	162	3199	6	M 104.992	CL604	155
E 320 T (S210)	3.2	12.96 - 03.03	165	3199	6	M 112.941	CL605	156
E 320 T (S211)	3.2	03.03 -	165	3199	6	M 112.949	CL605	156
E 320 T 4-matic ((S210)	3.2	12.96 - 03.03	165	3199	6	M 112.941	CL605	156
E 320 T 4-matic (S211)	3.2	07.03 -	165	3199	6	M 112.954	CL605	156
E 36 AMG Cabrio (A124)	3.6	05.94 - 03.98	200	3606	6	M 104.992 (AMG 3.6)	CL604	155
E 36 AMG Coupe (C124)	3.6	05.94 - 06.97	200	3606	6	M 104.992 (AMG 3.6)	CL604	155
E 36 T AMG (S124)	3.6	05.94 - 06.96	200	3606	6	M 104.992 (AMG 3.6)	CL604	155
E 420 (W124)	4.2	06.93 - 06.95	205	4196	8	M 119.975	CL612	159
							CL613	160
E 430 (W210)	4.3	06.97 - 03.02	205	4266	8	M 113.940	CL605	156
E 430 4-matic (W210)	4.3	05.99 - 03.02	205	4266	8	M 113.940	CL605	156
E 430 T (S210)	4.3	06.97 - 03.03	205	4266	8	M 113.940	CL605	156
E 430 T 4-matic (S210)	4.3	05.99 - 03.03	205	4266	8	M 113.940	CL605	156
E 500 (W124)	5.0	06.93 - 06.95	235	4973	8	M 119.974	CL612	159
							CL613	160
E 500 (W211)	5.0	03.02 -	225	4966	8	M 113.967	CL605	156
E 500 4-matic (W211)	5.0	10.03 -	225	4966	8	M 113.969	CL605	156
E 500 T (S211)	5.0	10.03 -	225	4966	8	M 113.967	CL605	156
E 500 T 4-matic (S211)	5.0	10.03 -	225	4966	8	M 113.969	CL605	156
E 55 AMG (W210)	5.4	08.97 - 03.02	260	5439	8	M 113.980	CL605	156
E 55 AMG Kompr. (W211)	5.4	10.02 -	350	5439	8	M 113.990	CL605	156

CAR	MODEL	YEAR	KW	CCM	CYL	MOTOR	COIL TYPE	PAGE
MERCEDES								
E 55 T AMG (S210)	5.4	08.97 - 03.03	260	5439	8	M 113.980	CL605	156
E 55 T AMG Kompr. (S211)	5.4	07.03 -	350	5439	8	M 113.990	CL605	156
E 60 AMG (W124)	6.0	05.94 - 06.95	280	5956	8		CL613	160
							CL614	160
G 320 (W463)	3.2	09.94 - 12.97	155	3199	6	M 104.996	CL604	155
G 320 GE Cabrio (W463)	3.2	09.94 - 11.97	155	3199	6	M 104.996	CL604	155
G 36 AMG (W463)	3.6	01.95 -	200	3606	6		CL604	155
G 500 E (W463)	5.0	09.93 -	177	4973	8	M 117.965	CL612	159
ML 230 (W163)	2.3	02.98 - 06.05	110	2295	4	M 111.977	CL606	157
ML 320 (W163)	3.2	02.98 - 08.02	160	3199	6	M 112.942	CL605	156
ML 350 (W163)	3.7	08.02 - 06.05	180	3724	6	M 112.970	CL605	156
		02.03 - 06.05	173	3724	6	M 112.970	CL605	156
ML 430 (W163)	4.3	02.98 - 06.05	200	4266	8	M 113.942	CL605	156
ML 500 (W163)	5.0	09.01 - 06.05	215	4966	8	M 113.964/M 113.965	CL605	156
ML 55 AMG (W163)	5.5	02.00 - 06.05	255	5439	8	M 113.981	CL605	156
S 280 (W140)	2.8	02.93 - 10.98	142	2799	6	M 104.944	CL604	155
							CL606	157
S 280 (W220)	2.8	10.98 - 08.05	150	2799	6	M 112.922	CL605	156
S 300 SE (W140)	2.8	01.93 - 10.98	145	2799	6	M 104.944	CL604	155
							CL606	157
S 300 SE,SEL/S320 (W140)	3.2	03.91 - 10.98	170	3199	6	M 104.990/M 104.994	CL604	155
		03.91 - 10.98	170	3199	6	M 104.994	CL606	157
		03.91 - 10.98	170	3199	6	M 104.990	CL613	160
S 320 (W220)	3.2	10.98 - 08.05	165	3199	6	M 112.944	CL605	156
S 350 (W220)	3.7	09.02 - 08.05	180	3724	6	M 112.972	CL605	156
S 350 4-matic (W220)	3.7	06.03 - 08.05	180	3724	6	M 112.975	CL605	156
S 400 SE,SEL/S420 (W140)	4.2	02.91 - 10.98	210	4196	8	M 119.971	CL609	158
		02.91 - 05.93	210	4196	8	M 119.971	CL614	160
		09.92 - 09.98	210	4196	8	M 119.971	CL613	160
S 420 (W140)	4.2	01.93 - 10.98	205	4196	8	M 119.971	CL609	158
		06.93 - 09.98	205	4196	8	M 119.971	CL614	160
S 420 SEC/CL (C140)	4.2	10.94 - 02.99	205	4196	8	M 119.971/M 119.981	CL613	160
S 430 (W220)	4.3	10.98 - 08.05	205	4266	8	M 113.941	CL605	156
S 430 4-matic (W220)	4.3	09.02 - 08.05	205	4266	8	M 113.948	CL605	156
S 500 (W140)	5.0	01.93 - 10.98	235	4973	8	M 119.970/M 119.980	CL609	158
		06.93 - 10.98	235	4973	8	M 119.970/M 119.980	CL613	160
		06.93 - 09.98	235	4973	8	M 119.970/M 119.980	CL614	160
S 500 (W220)	5.0	10.98 - 08.05	225	4966	8	M 113.960	CL605	156
S 500 4-matic (W220)	5.0	09.02 - 08.05	225	4966	8	M 113.966	CL605	156
S 500 SE,SEL (W140)	5.0	02.91 - 10.98	240	4973	8	M 119.970	CL609	158
							CL614	160
S 500 SEC/CL Coupe (C140)	5.0	10.92 - 02.99	235	4973	8	M 119.970	CL609	158
							CL614	160
S 55 AMG (W220)	5.4	04.99 - 08.05	265	5439	8	M 113.986	CL605	156
S 55 AMG Kompr. (W220)	5.4	06.02 - 08.05	368	5439	8	M 113.991	CL605	156
S 600 (W140)	6.0	01.93 - 10.98	290	5987	12	M 120.982/M 120.980	CL609	158
							CL612	159
							CL613	160
S 600 SE,SEL (W140)	6.0	04.91 - 12.92	300	5987	12	M 120.982/M 120.980	CL609	158
							CL612	159
							CL613	160
S 600 SEC/CL (C140)	6.0	09.92 - 02.99	290	5987	12	M 120.982/M 120.980	CL613	160
							CL612	159
SL 280 (R129)	2.8	08.93 - 10.01	142	2799	6	M 104.943	CL604	155
		05.98 - 10.01	150	2799	6	M 112.923/M 112.925	CL605	156
SL 300 (R129)	3.0	03.89 - 07.93	170	2960	6	M 104.981	CL613	160
		03.89 - 08.93	140	2960	6	M 103.984	CL614	160
SL 320 (R129)	3.2	09.93 - 10.01	170	3199	6	M 104.991	CL604	155
		05.98 - 10.01	165	3199	6	M 112.943	CL605	156
SL 350 (R230)	3.7	03.03 -	180	3724	6	M 112.973	CL605	156

CAR	MODEL	YEAR	KW	CCM	CYL	MOTOR	COIL TYPE	PAGE
MERCEDES								
SL 500 (R129)	5.0	09.89 - 08.92	240	4973	8	M 119.960/M 119.972	CL609	158
							CL614	160
SL 500 (R129)	5.0	09.92 - 10.01	235	4973	8	M 119.982/M 119.972	CL612	159
							CL613	160
SL 500 (R129)	5.0	05.98 - 10.01	225	4966	8	M 113.961	CL605	156
SL 500 (R230)	5.0	10.01 -	225	4966	8	M 113.963	CL605	156
SL 55 AMG (R230)	5.4	10.01 - 06.02	350	5439	8	M 113.992	CL605	156
SL 55 AMG Kompr. (R230)	5.4	06.02 -	368	5439	8	M 113.992	CL605	156
SL 600 (R129)	6.0	07.92 - 10.01	290	5987	12	M 120.983/M 120.981	CL612	159
							CL613	160
SLK 200 (R170)	2.0	09.96 - 03.00	100	1998	4	M 111.946	CL604	155
							CL606	157
SLK 200 Kompr. (R170)	2.0	10.96 - 03.00	141	1998	4	M 111.943	CL606	157
	2.0	03.00 - 04.04	120	1998	4	M 111.958	CL616	161
SLK 230 Kompr. (R170)	2.3	09.96 - 03.00	142	2295	4	M 111.973	CL606	157
	2.3	03.00 - 04.04	145	2295	4	M 111.983	CL616	161
SLK 32 AMG Kompr. (R170)	3.2	03.01 - 04.04	260	3199	6	M 112.960	CL605	156
SLK 320 (R170)	3.2	03.00 - 04.04	160	3199	6	M 112.947	CL605	156
SLK 55 AMG (R171)	5.4	06.04 -	265	5439	8	M 113.989	CL605	156
SLR (R199)	5.4	04.04 -	460	5439	8	M 155.980	CL605	156
Sprinter 214 Bus (901, 902)	2.3	02.95 - 05.06	105	2295	4	M 111.979/M 111.984	CL604	155
							CL606	157
Sprinter 214 Flatbed (901, 902)	2.3	02.95 - 05.06	105	2295	4	M 111.979/M 111.984	CL604	155
							CL606	157
Sprinter 214 NGT Bus (901, 902)	2.3	04.00 - 05.06	92	2295	4	M 111.984	CL606	157
Sprinter 214 NGT Flatbed	2.3	04.00 - 05.06	92	2295	4		CL606	157
Sprinter 214 NGT Van (901, 902)	2.3	04.00 - 05.06	92	2295	4	M 111.984	CL606	157
Sprinter 214 Van (901, 902)	2.3	02.95 - 05.06	105	2295	4	M 111.979/M 111.984	CL604	155
							CL606	157
Sprinter 314 4x4 Bus (903)	2.3	08.02 - 05.06	105	2295	4	M 111.979/M 111.984	CL606	157
Sprinter 314 4x4 Flatbed (903)	2.3	08.02 - 05.06	105	2295	4	M 111.979/M 111.984	CL606	157
Sprinter 314 4x4 Van (903)	2.3	08.02 - 05.06	105	2295	4	M 111.979/M 111.984	CL606	157
Sprinter 314 Bus (903)	2.3	02.95 - 05.06	105	2295	4	M 111.979/M 111.984	CL604	155
							CL606	157
Sprinter 314 Flatbed (903)	2.3	02.95 - 05.06	105	2295	4	M 111.979/M 111.984	CL604	155
							CL606	157
Sprinter 314 NGT Bus (903)	2.3	04.00 - 05.06	92	2295	4	M 111.984	CL606	157
Sprinter 314 NGT Flatbed (903)	2.3	04.00 - 05.06	92	2295	4		CL606	157
Sprinter 314 NGT Van (903)	2.3	04.00 - 05.06	92	2295	4		CL606	157
Sprinter 314 Van (903)	2.3	02.95 - 05.06	105	2295	4	M 111.979/M 111.984	CL604	155
							CL606	157
Sprinter 414 Bus (904)	2.3	02.96 - 05.06	105	2295	4	M 111.979/M 111.984	CL604	155
							CL606	157
Sprinter 414 Flatbed (904)	2.3	02.96 - 05.06	105	2295	4	M 111.979/M 111.984	CL604	155
							CL606	157
Sprinter 414 4x4 Flatbed (904)	2.3	05.97 - 05.06	105	2295	4	M 111.979/M 111.984	CL604	155
							CL606	157
Sprinter 414 Van (904)	2.3	02.96 - 05.06	105	2295	4	M 111.979/M 111.984	CL604	155
							CL606	157
Sprinter 414 4x4 Van (904)	2.3	05.97 - 05.06	105	2295	4	M 111.979/M 111.984	CL604	155
							CL606	157
V 200 (638/2)	2.0	02.97 - 07.03	95	1998	4	M 111.948/M 111.950	CL604	155
							CL606	157
V 230 (638/2)	2.3	10.96 - 07.03	105	2295	4	M 111.980/M 111.978	CL604	155
							CL606	157
V 280 (638/2)	2.8	08.97 - 07.03	128	2792	6	M 104.900	CL021	99
Vaneo (414)	1.6	02.02 -	60	1598	4	M 166.961	CL610	159
	1.6	02.02 -	75	1598	4	M 166.961	CL610	159
	1.9	02.02 -	92	1898	4	M 166.991	CL610	159
Viano (W639)	3.2	09.03 -	140	3199	6	M 112.951	CL605	156

CAR	MODEL	YEAR	KW	CCM	CYL	MOTOR	COIL TYPE	PAGE
MERCEDES								
Viano (W639)	3.2	09.03 -	160	3199	6	M 112.951	CL605	156
	3.7	06.04 -	170	3724	6	M 112.976	CL605	156
Vito 113 Bus (638)	2.0	02.96 - 07.03	95	1998	4	M 111.948/M 111.950	CL604	155
							CL606	157
Vito 113 Van (638)	2.0	03.97 - 07.03	95	1998	4	M 111.948/M 111.950	CL604	155
							CL606	157
Vito 114 Bus (638)	2.3	12.96 - 07.03	105	2295	4	M 111.980/M 111.978	CL604	155
							CL606	157
Vito 114 Van (638)	2.3	03.97 - 07.03	105	2295	4	M 111.980/M 111.978	CL604	155
							CL606	157
Vito 119 Bus (W639)	3.2	09.03 -	140	3199	6	M 112.951	CL605	156
Vito 119 Van (W639)	3.2	09.03 -	140	3199	6	M 112.951	CL605	156
Vito 122 Bus (W639)	3.2	09.03 -	160	3199	6	M 112.951	CL605	156
Vito 122 Van (W639)	3.2	09.03 -	160	3199	6	M 112.951	CL605	156
Vito 123 Bus (W639)	3.7	06.04 -	170	3724	6	M 112.976	CL605	156
MG								
MG ZT 160	2.5	06.01 -	118	2497	6	25 K4F	CL702	162
MG ZT 190	2.5	06.01 -	140	2497	6	25 K4F	CL702	162
MG ZT- T 160	2.5	10.01 -	118	2497	6	25 K4F	CL702	162
MG ZT- T 190	2.5	10.01 -	140	2497	6	25 K4F	CL702	162
MGF (RD)	1.8 i 16V	03.95 - 03.02	88	1796	4	18 K4F	CL700	161
MINI								
Mini Clubman Cooper (R55)	1.6	10.07 -	88	1598	4	N12B16A	CL603	154
Mini Cooper (R56)	1.6	10.06 -	88	1598	4	N12B16A	CL603	154
Mini One (R56)	1.4	03.07 -	70	1397	4		CL603	154
MITSUBISHI								
Carisma (DA_)	1.6	07.95 - 06.06	66	1597	4	4 G 92	CL547	147
	1.6	05.97 - 06.06	73	1597	4	4 G 92	CL547	147
	1.6	12.98 - 06.06	70	1597	4		CL547	147
	1.6	09.00 - 06.06	76	1597	4		CL547	147
	1.8 16V GDI	09.97 - 06.06	92	1834	4	4G93	CL549	148
	1.8 GDI	10.00 - 06.06	90	1834	4	4G93	CL549	148
Carisma Sedan (DA_)	1.6	09.96 - 06.06	66	1597	4	4 G 92	CL547	147
	1.6	05.97 - 06.06	73	1597	4	4 G 92	CL547	147
	1.6	12.98 - 06.06	70	1597	4		CL547	147
	1.6	09.00 - 06.06	76	1597	4		CL547	147
	1.8 16V GDI	09.97 - 06.06	92	1834	4	4G93	CL549	148
	1.8 GDI	10.00 - 06.06	90	1834	4		CL549	148
Colt III (C5_A)	1.5 GLXi	04.88 - 05.92	62	1468	4	4 G 15	CL508	139
	1.5 cat	07.90 - 05.92	66	1468	4	4 G 15	CL508	139
	1.6 GTi 16V	04.88 - 05.90	91	1596	4	4G61	CL526	144
Colt V (CJ_A) 1600 GLX	1.6	05.96 - 09.00	66	1597	4	4 G 92	CL547	147
Eclipse I (D2_A)	2.0 i 16V	04.91 - 11.95	110	1997	4	4 G 63	CL562	151
	2.0 i 16V 4x4	04.91 - 11.95	110	1997	4	4 G 63	CL562	151
Eclipse II (D3_) 2400 GS 16V	2.4	09.98 - 04.99	105	2389	4		CL547	147
Galant III (E1_A)	2.0 Turbo Eci	06.84 - 05.85	110	1997	4	4 G 63 T	CL508	139
Galant IV (E3_A)	2.0	04.89 - 10.92	80	1997	4	4G63	CL508	139
							CL525	143
	2.0 4x4	04.89 - 10.92	80	1997	4	4G63	CL508	139
							CL525	143
	2.0 GTi 16V	11.88 - 10.92	106	1997	4	4 G 63	CL526	144
	2.0 GTi 16V	11.88 - 10.92	107	1997	4	4 G 63	CL526	144
	2.0 GTi 16V 4x4	07.89 - 12.92	106	1997	4	4 G 63	CL526	144
	Galant IV Sedan (E3_A)	1.8	11.87 - 10.92	66	1755	4	4G37	CL562
2.0		11.87 - 10.92	80	1997	4	4G63	CL508	139
							CL525	143
							CL562	151
2.0 4x4		12.88 - 10.92	80	1997	4	4G63	CL508	139
						CL525	143	
						CL562	151	

CAR	MODEL	YEAR	KW	CCM	CYL	MOTOR	COIL TYPE	PAGE
MITSUBISHI								
Galant IV Sedan (E3_A)	2.0 GTi 16V	11.87 - 10.92	106	1997	4	4 G 63	CL508	139
							CL526	144
							CL562	151
	2.0 GTi 16V	11.88 - 10.92	107	1997	4	4 G 63	CL526	144
							CL562	151
2.0 GTi 16V 4x4	06.88 - 10.92	106	1997	4	4 G 63	CL508	139	
						CL526	144	
						CL562	151	
	2.0 GTi 16V 4x4 cat	09.91 - 10.92	110	1997	4	4 G 63	CL508	139
Galant VI (EA_)	2.0	09.96 - 09.00	100	1997	4	4 G 63	CL547	147
	2.0	09.00 - 10.04	98	1997	4		CL547	147
	2.4 GDI	02.99 - 09.00	110	2351	4	4G64 (GDI)	CL547	147
	2.4 GDI	09.00 - 10.04	106	2351	4	4G64 (GDI)	CL547	147
Lancer III Station Wagon (C1_V, C3_V)	1.5	09.85 - 12.87	55	1468	4	4 G 15	CL508	139
	1.5	09.88 - 12.90	61	1468	4	4 G 15	CL508	139
	1.5 12V	09.90 - 12.91	66	1468	4	4G15 (12V)	CL508	139
	1.8 4x4	08.90 - 06.92	69	1755	4	4G37	CL508	139
Lancer IV (C6_A, C7_A)	1.5	06.88 - 05.92	62	1468	4	4 G 15	CL508	139
	1.5 12V	05.89 - 05.92	66	1468	4	4G15 (12V)	CL508	139
	1.6 4x4	06.92 - 11.93	84	1597	4	4 G 92	CL562	151
	1.6 16V	06.92 - 05.94	83	1597	4	4 G 92	CL562	151
	1.8 4x4	09.89 - 06.92	71	1755	4	4G37	CL508	139
Lancer IV Sedan (C6_A)	1.5	04.88 - 05.92	62	1468	4	4 G 15	CL508	139
	1.5 12V	05.89 - 05.92	66	1468	4	4G15 (12V)	CL508	139
Lancer VI (CK/P_A)	1.6 16V	12.95 - 08.03	66	1597	4	4 G 92	CL547	147
Lancer Sedan (CS_A)	2.0	12.03 -	99	1997	4	4 G 63	CL547	147
Lancer Combi (CS_W)	2.0	09.03 -	99	1997	4	4 G 63	CL547	147
Outlander	2.4 4WD	05.03 -	102	2351	4		CL547	147
	2.4 4WD	05.03 -	119	2378	4	4G69	CL547	147
	2.4 4WD	11.03 -	118	2378	4	4G69	CL547	147
Pajero I (L04_G, L14_G)	3.0V6	11.88 - 11.90	104	2995	6	6G72	CL543	147
Pajero I Canvas Top (L04_G)	2.6	01.83 - 11.90	76	2555	4	4G54	CL543	147
Pajero II (V2_W, V4_W)	2.4	04.91 - 04.00	82	2351	4	4G64	CL508	139
							CL558	150
Pajero II (V2_W, V4_W)	3.0V6	12.90 - 12.95	110	2972	6	6G72	CL543	147
Pajero II Canvas Top (V2_W, V4_W)	1.8 GDI	06.98 - 04.00	96	1834	4	4G93	CL547	147
							CL508	139
	2.4	04.91 - 04.00	82	2351	4	4G64	CL558	150
	3.0V6	12.90 - 12.95	110	2972	6	6G72	CL543	147
Pajero Pinin (H6_W, H7_W)	1.8	11.01 -	84	1834	4	4G93	CL549	148
Sapporo III (E16A)	2.4	06.87 - 08.90	91	2351	4	4G64	CL525	143
Sigma (F16A)	3.0V6	12.90 - 07.96	130	2972	6	6G72	CL558	150
Sigma Station Wagon (F07W)	3.0V6	01.93 - 07.96	125	2972	6	6G72	CL558	150
Space Runner (N50)	2.0	08.99 -	100	1997	4	4 G 63	CL547	147
Space Star (DG0)	1.8 GDI	06.98 -	87	1834	4		CL549	148
							CL549	148
	1.8 GDI	10.02 -	82	1834	4	4G93	CL547	147
Space Wagon (N5_W)	2.0 GDI	04.02 -	98	1997	4	4 G 63	CL547	147
NISSAN								
100 NX (B13)	1.6	03.90 - 10.94	66	1597	4	GA16DS	CL509	140
	1.6 SR	09.93 - 10.94	75	1597	4	GA16DE	CL509	140
	2.0 GTI	03.91 - 10.94	105	1998	4	SR20DE	CL509	140
Almera I Hatchback (N15)	1.6 SR,SLX	09.95 - 03.00	66	1597	4	GA16DE	CL509	140
Almera II (N16)	1.5	07.00 -	66	1498	4	QG15DE	CL510	140
							CL511	140
	1.5	10.02 -	72	1497	4	QG15DE	CL510	140
							CL511	140
	1.8	07.00 -	84	1769	4	QG18DE	CL510	140
						CL511	140	

CAR	MODEL	YEAR	KW	CCM	CYL	MOTOR	COIL TYPE	PAGE
NISSAN								
Almera II (N16)	1.8	10.02 -	85	1769	4	QG18DE	CL510	140
							CL511	140
Almera II Hatchback (N16)	1.5	03.00 -	66	1498	4	QG15DE	CL511	140
	1.5	10.02 -	72	1497	4	QG15DE	CL511	140
	1.8	01.00 -	84	1769	4	QG18DE	CL511	140
	1.8	10.02 -	85	1769	4	QG18DE	CL511	140
Almera Tino (V10)	1.8	08.00 -	84	1769	4	QG18DE	CL510	140
							CL511	140
	1.8	12.02 -	85	1769	4	QG18DE	CL510	140
							CL511	140
Bluebird (U11)	1.8 Turbo	04.84 - 05.90	99	1809	4	CA18T	CL558	150
Bluebird (T72, T12)	1.8 Turbo	12.85 - 05.90	99	1809	4	CA18T	CL558	150
Bluebird Hatchback (T72, T12)	1.8 Turbo	12.85 - 05.90	99	1809	4	CA18T	CL558	150
Kubistar (X76)	1.6 16V	08.03 -	70	1598	4	K4M 752	CL100	100
							CL116	107
Maxima (J30)	3.0 i	10.88 - 06.94	125	2960	6	VG30E	CL509	140
							CL537	146
							CL538	146
Maxima QX (A32)	2.0	02.95 - 08.00	103	1995	6	VQ20DE	CL535	145
							CL536	145
	3.0	01.95 - 08.00	142	2988	6	VQ30DE	CL535	145
							CL536	145
Maxima QX (A33)	2.0 V6 24V	03.00 -	103	1995	6	VQ20DE	CL535	145
							CL536	145
	3.0 V6 24V	03.00 -	147	2988	6	VQ30DE	CL535	145
							CL536	145
Maxima QX Station Wagon	2.0	10.97 -	103	1995	6	VQ20DE	CL535	145
							CL536	145
	3.0	10.97 -	142	2988	6	VQ30DE	CL535	145
							CL536	145
Micra (K10)	1.2	07.86 - 07.92	40	1235	4	MA12S	CL509	140
Micra (K11)	1.0 i 16V	08.92 - 09.00	40	998	4	CG10DE	CL521	143
							CL521	143
	1.4 i 16V	09.00 - 02.03	60	1348	4	CGA3DE	CL521	143
Micra (K12)	1.4 16V	01.03 -	65	1386	4	CR14DE	CL534	145
	1.6 160SR	05.05 -	81	1598	4	HR 16 DE	CL554	149
Micra C+C (K12) 160 SR	1.6	08.05 -	81	1598	4	HR 16 DE	CL554	149
Note (E11)	1.6	03.06 -	81	1598	4	HR 16 DE	CL554	149
Prairie Pro (M11)	2.0 i	10.88 - 04.92	72	1974	4	CA20E	CL509	140
							CL509	140
	2.4 i	04.92 - 07.94	98	2389	4	KA24E	CL509	140
							CL509	140
Primastar Bus (X83)	2.0	03.01 -	88	1998	4	F4R 722/F4R 720	CL100	100
							CL116	107
							CL116	107
Primastar Van (X83)	2.0	02.03 -	88	1998	4	F4R 720	CL100	100
							CL116	107
							CL116	107
Primera (P10)	1.6	06.90 - 01.96	66	1597	4	GA16DS	CL509	140
							CL509	140
	2.0 16V	06.90 - 01.96	85	1998	4	SR20DI	CL509	140
							CL509	140
							CL509	140
Primera (P11)	1.6 16V	09.96 - 12.01	66	1597	4	GA16DE	CL509	140
							CL509	140
Primera Hatchback (P10)	1.6	06.90 - 01.96	66	1597	4	GA16DS	CL509	140
							CL509	140
	2.0 16V	06.90 - 01.96	85	1998	4	SR20DI	CL509	140
Primera Hatchback (P11)	1.6 16V	09.96 - 07.02	66	1597	4	GA16DE	CL509	140
							CL509	140
Primera Hatchback (P12)	1.8	07.02 -	85	1769	4	QG18DE	CL511	140
							CL511	140

CAR	MODEL	YEAR	KW	CCM	CYL	MOTOR	COIL TYPE	PAGE
NISSAN								
Primera Traveller (W10)	1.6 i	07.90 - 03.98	66	1597	4	GA16DS	CL509	140
	1.6 i	03.94 - 03.98	75	1597	4	GA16DE	CL509	140
	2.0 i	07.90 - 03.98	85	1998	4	SR20DI	CL509	140
Primera Traveller (WP11)	1.6 16V	04.98 - 12.01	66	1597	4	GA16DE	CL509	140
	1.6 16V	04.98 - 12.01	73	1597	4	GA16DE	CL509	140
	1.8 16V	08.99 - 12.01	84	1769	4	QG18DE	CL511	140
Qashqai (J10, JJ10)	1.6	02.07 -	84	1598	4	HR 16 DE	CL554	149
	2.0	02.07 -	103	1997	4	MR20DE	CL554	149
	2.0 Allrad	02.07 -	103	1997	4	MR20DE	CL554	149
Serena (C23M)	1.6 16V	02.93 -	71	1597	4	GA16DE	CL509	140
	2.0 16V	11.92 -	93	1998	4	SR20DE	CL509	140
Sunny II (N13)	1.6 i	06.86 - 10.90	54	1597	4	E16i	CL558	150
	1.6 i 4x4	06.86 - 10.90	54	1597	4	E16i	CL558	150
Sunny II Hatchback (N13)	1.6 i	06.86 - 10.90	54	1597	4	E16i	CL558	150
Sunny III (N14)	1.4 i	10.90 - 05.95	55	1392	4	GA14DE /GA14DS	CL509	140
	1.6 i	10.90 - 05.95	66	1597	4	GA16DE/GA16DEL/GA16DS	CL509	140
	1.6 i 16V 4WD	10.90 - 05.95	66	1597	4	GA16DS	CL509	140
Sunny III Hatchback (N14)	1.4 i	10.90 - 05.95	55	1392	4	GA14DE /GA14DS	CL509	140
	1.6 i	10.90 - 05.95	66	1597	4	GA16DE/GA16DEL/GA16DS	CL509	140
	2.0 GTI 16V	10.90 - 05.95	105	1998	4	SR20DE	CL509	140
	2.0 GTI-R 4x4	10.90 - 05.95	162	1998	4	SR20DET	CL509	140
Sunny III Liftback (N14)	1.4 i	10.90 - 05.95	55	1392	4	GA14DE /GA14DS	CL509	140
	1.6 i	10.90 - 05.95	66	1597	4	GA16DE/GA16DEL/GA16DS	CL509	140
	2.0 i 16V	10.90 - 05.95	105	1998	4	SR20DE	CL509	140
Sunny III Traveller (Y10)	1.6 i	06.91 - 03.00	66	1597	4	GA16DE/GA16DS	CL509	140
Terrano I (WD21)	3.0 i 4WD	01.90 - 12.95	109	2960	6	VG30E	CL509	140
Terrano II (R20)	2.4 i 12V 4WD	02.93 - 06.96	91	2389	4	KA24E	CL509	140
Tiida (C11X)	1.6	09.07 -	81	1598	4	HR 16 DE	CL554	149
	1.8	09.07 -	93	1798	4	MR18DE	CL554	149
Tiida Sedan (SC11X)	1.6	09.07 -	81	1598	4	HR 16 DE	CL554	149
	1.8	09.07 -	93	1798	4	MR18DE	CL554	149
X-Trail (T31)	2.0	06.07 -	104	1997	4	MR20DE	CL554	149
	2.0	06.08 -	103	1998	4		CL554	149
	2.0 FWD	03.07 -	104	1997	4	MR20DE	CL554	149
	2.0 FWD	06.08 -	103	1998	4		CL554	149
OPEL								
Agila (H00)	1.0	08.03 -	44	998	3	Z 10 XEP	CL217	122
	1.0 12V	09.00 -	43	973	3	Z 10 XE	CL213	121
	1.2 16V	09.00 -	55	1199	4	Z 12 XE	CL214	121
	1.2 16V Twinport	07.04 -	59	1229	4	Z 12 XEP	CL215	122
Ascona C (81_, 86_, 87_, 88_)	1.3 N	09.81 - 08.86	44	1297	4	13 N	CL205	118
	1.3 S	09.81 - 08.88	55	1297	4	13 S	CL205	118
	1.6	09.81 - 09.87	55	1598	4	16 N	CL205	118
	1.6 i	09.87 - 08.88	55	1598	4	E 16 NZ	CL205	118
	1.6 i cat	09.86 - 08.88	55	1598	4	C 16 NZ/C 16 LZ	CL205	118
Ascona C CC (84_, 89_)	1.3 N	09.81 - 08.86	44	1297	4	13 N	CL205	118
	1.3 S	09.81 - 08.88	55	1297	4	13 S	CL205	118
	1.6	09.81 - 08.88	55	1598	4	16 N	CL205	118
	1.6 i	09.87 - 08.88	55	1598	4	E 16 NZ	CL205	118
	1.6 i cat	09.86 - 08.88	55	1598	4	C 16 NZ/C 16 LZ	CL205	118
Astra F (56_, 57_)	1.4	09.91 - 09.93	55	1389	4	14 NV	CL200	116
	1.4	09.92 - 09.98	60	1389	4	14 SE	CL206	118
	1.4 i	09.91 - 09.98	44	1389	4	C 14 NZ	CL206	118
	1.4 Si	03.92 - 09.98	60	1389	4	C 14 SE	CL200	116
							CL206	118
	1.6 i	03.92 - 08.94	55	1598	4	C 16 NZ	CL200	116
							CL205	118
	1.6 i	05.93 - 07.96	52	1598	4	X 16 SZ	CL200	116
	1.6 i	08.96 - 09.98	55	1598	4	X 16 SZR	CL200	116
1.6 i 16V	08.94 - 09.98	74	1598	4	X 16 XEL	CL200	116	

CAR	MODEL	YEAR	KW	CCM	CYL	MOTOR	COIL TYPE	PAGE
OPEL								
Astra F (56_, 57_)	1.6 Si	05.92 - 12.94	74	1598	4	C 16 SE	CL200	116
	1.8 i	03.92 - 09.98	66	1796	4	C 18 NZ	CL206	118
	1.8 i 16V	06.93 - 10.94	92	1799	4	C 18 XE	CL207	119
	1.8 i 16V	11.94 - 09.98	85	1799	4	C 18 XEL/X 18 XE	CL207	119
	2.0 i 16V	02.95 - 09.98	100	1998	4	X 20 XEV	CL207	119
Astra F Cabrio (53_B)	1.4 Si	05.93 - 03.01	60	1389	4	C 14 SE	CL200	116
							CL206	118
	1.6 i	03.93 - 08.96	52	1598	4	X 16 SZ	CL200	116
	1.6 i	01.96 - 03.01	55	1598	4	X 16 SZR	CL200	116
	1.8 i 16V	11.94 - 03.01	85	1799	4	C 18 XEL/X 18 XE	CL207	119
Astra F Caravan (51_, 52_)	1.4	09.91 - 09.93	55	1389	4	14 NV	CL200	116
	1.4	09.92 - 01.98	60	1389	4	14 SE	CL206	118
	1.4 i	09.91 - 01.98	44	1389	4	C 14 NZ	CL206	118
	1.4 Si	03.92 - 01.98	60	1389	4	C 14 SE	CL200	116
							CL206	118
	1.6 i	09.91 - 01.98	55	1598	4	C 16 NZ/X 16 SZR	CL200	116
							CL205	118
	1.6 i	05.93 - 07.96	52	1598	4	X 16 SZ	CL200	116
	1.6 i 16V	08.94 - 01.98	74	1598	4	X 16 XEL	CL200	116
	1.6 Si	03.92 - 12.94	74	1598	4	C 16 SE	CL200	116
	1.8 i	09.91 - 01.98	66	1796	4	C 18 NZ	CL206	118
	1.8 i 16V	06.93 - 01.98	92	1799	4	C 18 XE	CL207	119
	1.8 i 16V	07.94 - 01.98	85	1799	4	C 18 XEL/X 18 XE	CL207	119
	2.0 i 16V	03.93 - 01.98	110	1998	4	C 20 XE	CL219	123
	2.0 i 16V	02.95 - 01.98	100	1998	4	X 20 XEV	CL207	119
Astra F CC (53_, 54_, 58_, 59_)	1.4	09.91 - 09.93	55	1389	4	14 NV	CL200	116
	1.4	09.92 - 01.98	60	1389	4	14 SE	CL206	118
	1.4 i	03.92 - 01.98	44	1389	4	C 14 NZ	CL206	118
	1.4 Si	03.92 - 01.98	60	1389	4	C 14 SE	CL206	118
	1.6 i	09.91 - 01.98	55	1598	4	C 16 NZ/X 16 SZR	CL200	116
							CL205	118
	1.6 i	05.93 - 07.96	52	1598	4	X 16 SZ	CL200	116
	1.6 i 16V	08.94 - 01.98	74	1598	4	X 16 XEL	CL200	116
	1.6 Si	03.92 - 12.94	74	1598	4	C 16 SE	CL200	116
	1.8 i	09.91 - 01.98	66	1796	4	C 18 NZ	CL206	118
	1.8 i 16V	06.93 - 08.94	92	1799	4	C 18 XE	CL207	119
	1.8 i 16V	09.94 - 01.98	85	1799	4	C 18 XEL/X 18 XE	CL207	119
	2.0 GSI 16V	09.91 - 01.98	110	1998	4	C 20 XE	CL219	123
	2.0 i 16V	02.95 - 01.98	100	1998	4	X 20 XEV	CL207	119
	Astra F Classic Caravan	1.6 i	01.98 - 01.05	55	1598	4	X 16 SZR	CL200
1.6 i 16V		01.98 - 01.05	74	1598	4	X 16 XEL	CL200	116
Astra F Classic CC	1.6 i	01.98 - 08.02	55	1598	4	X 16 SZR	CL200	116
	1.6 i 16V	01.98 - 08.02	74	1598	4	X 16 XEL	CL200	116
Astra F Classic Sedan	1.6 i	01.98 - 08.02	55	1598	4	X 16 SZR	CL200	116
	1.6 i 16V	01.98 - 08.02	74	1598	4	X 16 XEL	CL200	116
Astra F Van (55_)	1.4 i	10.91 - 01.99	44	1389	4	C 14 NZ	CL206	118
	1.6 i	10.91 - 04.93	55	1598	4	C 16 NZ	CL200	116
							CL205	118
	1.6 i	02.93 - 07.96	52	1598	4	X 16 SZ	CL200	116
Astra G Cabrio	1.6	01.03 - 10.05	76	1598	4	Z 16 XEP	CL221	123
	1.8 16V	03.01 - 10.05	92	1796	4	Z 18 XE	CL203	117
	2.0 16V Turbo	11.02 - 10.05	147	1998	4	Z 20 LER	CL218	122
	2.0 OPC	03.02 - 10.05	141	1998	4	Z 20 LET	CL218	122
	2.2 16V	03.01 - 10.05	108	2198	4	Z 22 SE	CL224	124
Astra G Caravan (F35_)	1.2 16V	02.98 - 09.00	48	1199	4	X 12 XE	CL214	121
	1.2 16V	09.00 - 07.04	55	1199	4	Z 12 XE	CL214	121
	1.4 16V	06.98 - 07.04	66	1389	4	X 14 XE/Z 14 XE	CL202	117
	1.6	02.98 - 09.00	55	1598	4	X 16 SZR	CL200	116
							CL206	118
1.6	09.00 - 07.04	62	1598	4	Z 16 SE	CL212	121	

CAR	MODEL	YEAR	kW	ccm	CYL	MOTOR	COIL TYPE	PAGE	
OPEL									
Astra G Caravan (F35_)	1.6	12.02 - 07.04	76	1598	4	Z 16 XEP	CL221	123	
	1.6 16V	02.98 - 07.04	74	1598	4	Z 16 XE/X 16 XEL	CL202	117	
	1.8 16V	02.98 - 09.00	85	1796	4	X 18 XE1	CL203	117	
	1.8 16V	09.00 - 07.04	92	1796	4	Z 18 XE	CL203	117	
	2.0 16V	02.98 - 07.04	100	1998	4	X 20 XEV	CL207	119	
	2.0 OPC	09.02 - 07.04	141	1998	4	Z 20 LET	CL218	122	
	2.0 OPC	11.02 - 07.04	147	1998	4	Z 20 LER	CL218	122	
	2.2 16V	03.01 - 07.04	108	2198	4	Z 22 SE	CL224	124	
Astra G CC (F48_, F08_)	1.2 16V	02.98 - 09.00	48	1199	4	X 12 XE	CL214	121	
	1.2 16V	09.00 - 01.05	55	1199	4	Z 12 XE	CL214	121	
	1.4 16V	02.98 - 01.05	66	1389	4	X 14 XE/Z 14 XE	CL202	117	
	1.6	02.98 - 09.00	55	1598	4	X 16 SZR	CL200	116	
							CL206	118	
	1.6	09.00 - 01.05	62	1598	4	Z 16 SE	CL212	121	
	1.6	12.02 - 01.05	76	1598	4	Z 16 XEP	CL221	123	
	1.6 16V	02.98 - 01.05	74	1598	4	Z 16 XE/X 16 XEL	CL202	117	
	1.8 16V	02.98 - 09.00	85	1796	4	X 18 XE1	CL203	117	
	1.8 16V	09.00 - 01.05	92	1796	4	Z 18 XE	CL203	117	
	2.0 16V	02.98 - 01.05	100	1998	4	X 20 XEV	CL207	119	
	2.0 16V OPC	11.99 - 09.02	118	1998	4	X 20 XER	CL207	119	
	2.0 OPC	09.02 - 01.05	141	1998	4	Z 20 LET	CL218	122	
	2.0 OPC	11.02 - 01.05	147	1998	4	Z 20 LET/Z 20 LER	CL218	122	
	2.2 16V	03.01 - 01.05	108	2198	4	Z 22 SE	CL224	124	
	Astra G Coupe (F07_)	1.6 16V	03.00 - 05.05	76	1598	4	Z 16 XEP	CL221	123
1.8 16V		03.00 - 10.00	85	1796	4	X 18 XE1	CL203	117	
1.8 16V		09.00 - 05.05	92	1796	4	Z 18 XE	CL203	117	
2.0 16V Turbo		09.00 - 08.01	140	1998	4	Z 20 LET	CL218	122	
2.0 16V Turbo		08.01 - 05.05	141	1998	4	Z 20 LET	CL218	122	
2.0 16V Turbo		11.02 - 05.05	147	1998	4	Z 20 LER	CL218	122	
2.2 16V		09.00 - 05.05	108	2198	4	Z 22 SE	CL224	124	
Astra G Sedan (F69_)		1.2 16V	09.98 - 09.00	48	1199	4	X 12 XE	CL214	121
	1.2 16V	09.00 - 01.05	55	1199	4	Z 12 XE	CL214	121	
	1.4 16V	09.98 - 01.05	66	1389	4	X 14 XE/Z 14 XE	CL202	117	
	1.6	09.98 - 09.00	55	1598	4	X 16 SZR	CL200	116	
							CL206	118	
	1.6	09.00 - 01.05	62	1598	4	Z 16 SE	CL212	121	
	1.6	12.02 - 01.05	76	1598	4	Z 16 XEP	CL221	123	
	1.6 16V	09.98 - 01.05	74	1598	4	Z 16 XE/X 16 XEL	CL202	117	
	1.8 16V	09.98 - 09.00	85	1796	4	X 18 XE1	CL203	117	
	1.8 16V	09.00 - 01.05	92	1796	4	Z 18 XE	CL203	117	
	2.2 16V	03.01 - 01.05	108	2198	4	Z 22 SE	CL224	124	
	Astra G Van (F70)	1.6	01.99 - 09.00	55	1598	4	X 16 SZR	CL200	116
								CL206	118
	1.6	09.00 - 04.05	62	1598	4	Z 16 SE	CL212	121	
Astra H	1.4	03.04 -	66	1364	4	Z 14 XEP	CL215	122	
	1.6	03.04 -	77	1598	4	Z 16 XEP	CL221	123	
	1.6	12.06 -	85	1598	4	Z 16 XER	CL221	123	
	1.8	03.04 -	92	1796	4	Z 18 XE	CL203	117	
	1.8	01.06 -	103	1796	4	Z 18 XER	CL221	123	
	2.0 Turbo	03.04 -	125	1998	4	Z 20 LEL	CL218	122	
	2.0 Turbo	09.04 -	147	1998	4	Z 20 LER	CL218	122	
Astra H Caravan	1.4	08.04 -	66	1364	4	Z 14 XEP	CL215	122	
	1.6	08.04 -	77	1598	4	Z 16 XEP	CL221	123	
	1.6	12.06 -	85	1598	4	Z 16 XER	CL221	123	
	1.8	08.04 -	92	1796	4	Z 18 XE	CL203	117	
	1.8	08.05 -	103	1796	4	Z 18 XER	CL221	123	
	2.0 Turbo	08.04 -	125	1998	4	Z 20 LEL	CL218	122	
	2.0 Turbo	09.04 -	147	1998	4	Z 20 LER	CL218	122	
Astra H GTC	1.4	03.05 -	66	1364	4	Z 14 XEP	CL215	122	
	1.6	03.05 -	77	1598	4	Z 16 XEP	CL221	123	

CAR	MODEL	YEAR	KW	CCM	CYL	MOTOR	COIL TYPE	PAGE
OPEL								
Astra H GTC	1.6 Turbo	02.07 -	132	1598	4	Z 16 LET	CL221	123
	2.0 Turbo	03.05 -	125	1998	4	Z 20 LEL	CL218	122
	2.0 Turbo	03.05 -	147	1998	4	Z 20 LER	CL218	122
Astra H TwinTop	1.6	09.05 -	77	1598	4	Z 16 XEP	CL221	123
	1.6	12.06 -	85	1598	4	Z 16 XER	CL221	123
	1.8	09.05 -	103	1796	4	Z 18 XER	CL221	123
	2.0 Turbo	09.05 -	125	1998	4	Z 20 LEL	CL218	122
	2.0 Turbo	09.05 -	147	1998	4	Z 20 LER	CL218	122
Calibra A (85_)	2.0 i	06.90 - 07.97	85	1998	4	C 20 NE	CL208	119
	2.0 i 4x4	06.90 - 07.97	85	1998	4	C 20 NE	CL208	119
	2.0 i 16V	06.90 - 02.94	110	1998	4	C 20 XE	CL219	123
	2.0 i 16V	02.94 - 07.97	100	1998	4	X 20 XEV	CL207	119
	2.0 i 16V 4x4	06.90 - 02.94	110	1998	4	C 20 XE	CL219	123
	2.0 i 16V 4x4	02.94 - 07.97	100	1998	4	X 20 XEV	CL207	119
	2.5 i V6	04.93 - 07.97	125	2498	6	X 25 XE/C 25 XE	CL210	121
Combo (71_)	1.2	07.94 - 10.01	33	1195	4	C 12 NZ/X 12 SZ	CL206	118
	1.4	07.94 - 10.01	44	1389	4	C 14 NZ/X 14 SZ	CL206	118
Combo Tour	1.4	10.04 -	66	1364	4	Z 14 XEP	CL215	122
	1.6	10.01 -	64	1598	4	Z 16 SE	CL212	121
Combo Van/Combi	1.4 16V	08.05 -	66	1364	4	Z 14 XEP	CL215	122
	1.6	10.01 -	64	1598	4	Z 16 SE	CL212	121
Corsa A CC (93_, 94_, 98_, 99_)	1.0	09.82 - 03.93	33	993	4	10 S	CL228	125
	1.2	09.82 - 08.90	33	1196	4	E 12 GV/12 NC	CL206	118
	1.2	09.82 - 08.90	33	1196	4	12 NC	CL228	125
	1.2 i	09.89 - 03.93	33	1195	4	C 12 NZ	CL206	118
	1.2 N	01.90 - 03.93	38	1196	4	12 NV	CL205	118
	1.2 S	09.82 - 02.90	40	1196	4	12 ST	CL205	118
	1.3 S	09.82 - 10.89	51	1297	4	13 SB	CL205	118
	1.4 i	01.90 - 03.93	44	1389	4	C 14 NZ	CL206	118
	1.4 S	01.90 - 03.93	53	1389	4	14 NV	CL206	118
	1.4 Si	09.91 - 03.93	60	1389	4	C 14 SE	CL200	116
							CL206	118
	1.6 GSI	09.89 - 03.93	72	1598	4	C 16 SEI	CL206	118
	1.6 GSI	05.88 - 03.92	74	1598	4	E 16 SE	CL200	116
							CL206	118
		1.6 GSI cat	02.92 - 03.93	74	1598	4	C 16 SE	CL200
						CL206	118	
Corsa A TR (91_, 92_, 96_, 97_)	1.0	09.82 - 09.92	33	993	4	10 S	CL228	125
	1.2 i	09.89 - 03.93	33	1195	4	C 12 NZ	CL206	118
	1.2 N	01.85 - 10.87	33	1196	4	E 12 GV/12 NC	CL228	125
	1.2 S	09.82 - 03.93	40	1196	4	12 ST	CL205	118
							CL206	118
	1.2 S	09.82 - 10.87	43	1196	4	12 S	CL205	118
	1.3 S	09.82 - 10.87	51	1297	4	13 SB	CL205	118
	1.4 i	10.89 - 03.93	44	1389	4	C 14 NZ	CL206	118
Corsa A Van	1.2	02.86 - 04.89	40	1196	4	12 ST	CL205	118
							CL206	118
	1.0	02.86 - 04.89	33	993	4	10 S	CL228	125
	1.2	02.86 - 04.89	33	1196	4	E 12 GV/12 NC	CL228	125
	1.3	02.86 - 04.89	51	1297	4	13 SB	CL205	118
Corsa B (73_, 78_, 79_)	1.0 i 12V	11.96 - 09.00	40	973	3	X 10 XE	CL213	121
	1.2 i	03.93 - 09.00	33	1195	4	C 12 NZ/X 12 SZ	CL200	116
	1.2 i	03.93 - 09.00	33	1195	4	12 NZ	CL206	118
	1.2 i 16V	03.98 - 09.00	48	1199	4	X 12 XE	CL214	121
	1.4 i	03.93 - 09.00	44	1389	4	C 14 NZ/X 14 SZ	CL206	118
	1.4 i 16V	09.94 - 09.00	66	1389	4	X 14 XE	CL200	116
	1.4 i 16V	08.97 - 09.00	63	1389	4	C 14 SEL	CL200	116
	1.4 Si	03.93 - 09.00	60	1389	4	C 14 SE	CL200	116
	1.6 GSI 16V	03.93 - 09.00	80	1598	4	C 16 XE	CL200	116
1.6 i 16V	09.94 - 09.00	78	1598	4	X 16 XE	CL200	116	

CAR	MODEL	YEAR	KW	CCM	CYL	MOTOR	COIL TYPE	PAGE
OPEL								
Corsa B (73_, 78_, 79_)	1.6i 16V	08.97 - 09.00	74	1598	4	C 16 SEL	CL200	116
Corsa B Van (73_)	1.4i	08.99 - 09.00	44	1389	4	X 14 SZ	CL200	116
Corsa C (F08, F68)	1.0	09.00 -	43	973	3	Z 10 XE	CL213	121
	1.0	06.03 -	44	998	3	Z 10 XEP	CL217	122
	1.2	09.00 -	55	1199	4	Z 12 XE	CL214	121
							CL215	122
	1.2 Twinport	07.04 -	59	1229	4	Z 12 XEP	CL215	122
	1.4	09.00 -	66	1389	4	Z 14 XE	CL202	117
	1.4 Twinport	06.03 -	66	1364	4	Z 14 XEP	CL215	122
	1.8	09.00 -	92	1796	4	Z 18 XE	CL203	117
Corsa C Van (F08, W5L)	1.2 16V	09.00 -	55	1199	4	Z 12 XE	CL214	121
							CL215	122
Corsa D	1.0	07.06 -	44	998	3	Z 10 XEP	CL217	122
	1.6 Turbo	02.07 -	141	1598	4	Z 16 LER	CL221	123
Frontera A (5_MWL4)	2.2i	03.95 - 10.98	100	2198	4	X 22 XE	CL219	123
	2.4i	03.92 - 10.98	92	2410	4	C 24 NE	CL208	119
Frontera A Sport (5_SUD2)	2.0i	03.92 - 10.98	85	1998	4	C 20 NE/X 20 SE	CL208	119
Frontera B (6B_)	2.2i	10.98 -	100	2198	4	X 22 SE/Y 22 SE	CL201	117
Kadett D (31_-34_, 41_-44_)	1.2	08.79 - 07.82	39	1196	4	12 N	CL228	125
	1.2	08.82 - 08.84	40	1196	4	12 ST	CL228	125
	1.3 N	08.79 - 08.84	44	1297	4	13 N	CL205	118
	1.3 S	08.79 - 08.84	55	1297	4	13 S	CL205	118
Kadett D Caravan (35_, 36_, 45_, 46_)	1.2	08.79 - 07.82	39	1196	4	12 N	CL228	125
	1.3 N	08.79 - 08.84	44	1297	4	13 N	CL205	118
	1.3 S	08.79 - 08.84	55	1297	4	13 S	CL205	118
Kadett E (39_, 49_)	1.2	09.84 - 07.86	40	1196	4	12 SC	CL228	125
	1.3i cat	09.85 - 08.91	44	1297	4	C 13 N	CL205	118
	1.3 S	09.84 - 08.87	55	1297	4	13 S	CL205	118
	1.4i	01.90 - 08.91	44	1389	4	C 14 NZ	CL206	118
	1.4 S	01.90 - 08.91	55	1389	4	14 NV	CL206	118
	1.6i	09.86 - 08.91	55	1598	4	E 16 NZ	CL205	118
	1.6i cat	09.86 - 08.91	55	1598	4	C 16 NZ/C 16 LZ	CL205	118
	1.6 S	09.84 - 08.86	66	1598	4	16 SH	CL206	118
	1.8	09.87 - 08.90	84	1796	4	18 E	CL208	119
	1.8i	09.90 - 08.91	66	1796	4	C 18 NZ/C 18 NT	CL206	118
	1.8 S	09.87 - 08.91	62	1798	4	E 18 NV	CL208	119
	2.0i	03.87 - 08.91	85	1998	4	20 NE	CL208	119
	2.0i cat	03.87 - 08.91	85	1998	4	C 20 NE	CL208	119
Kadett E Cabrio (43B_)	1.3 S	03.87 - 02.93	55	1297	4	13 S	CL205	118
	1.4i	01.90 - 08.91	44	1389	4	C 14 NZ	CL206	118
	1.6i	07.89 - 02.93	60	1598	4	16 SV	CL206	118
	2.0i	10.86 - 02.93	85	1998	4	20 NE	CL208	119
	2.0i cat	10.86 - 02.93	85	1998	4	C 20 NE	CL208	119
Kadett E Caravan (35_, 36_, 45_, 46_)	1.2	09.84 - 07.86	40	1196	4	12 SC	CL228	125
	1.4i	01.90 - 08.91	44	1389	4	C 14 NZ	CL206	118
	1.4 S	01.90 - 08.91	55	1389	4	14 NV	CL206	118
	1.6	09.86 - 08.91	60	1598	4	16 SV	CL206	118
	1.6i cat	09.86 - 08.91	55	1598	4	C 16 NZ/C 16 LZ	CL206	118
	1.8i	06.85 - 08.91	66	1796	4	C 18 NZ/C 18 NT	CL206	118
	1.8 S	09.87 - 08.91	62	1796	4	E 18 NV	CL208	119
	2.0i	09.87 - 08.91	85	1998	4	20 NE	CL208	119
Kadett E CC (33_, 34_, 43_, 44_)	1.2	09.84 - 07.86	40	1196	4	12 SC	CL228	125
	1.3 N	09.84 - 08.91	44	1297	4	13 NB/13 N	CL205	118
	1.3 S	09.84 - 08.87	55	1297	4	13 S	CL205	118
	1.4i	01.90 - 08.91	44	1389	4	C 14 NZ	CL206	118
	1.4 S	01.90 - 08.91	55	1389	4	14 NV	CL206	118
	1.6i	09.86 - 08.91	55	1598	4	E 16 NZ	CL205	118
	1.6i cat	09.86 - 08.91	55	1598	4	C 16 NZ/C 16 LZ	CL205	118
	1.6 S	09.86 - 08.91	60	1598	4	16 SV	CL206	118
	1.8i	06.85 - 08.91	66	1796	4	C 18 NZ/S 18 NV/C 18 NT	CL206	118

CAR	MODEL	YEAR	KW	CCM	CYL	MOTOR	COIL TYPE	PAGE	
OPEL									
Kadett E CC (33_, 34_, 43_, 44_)	1.8 S	09.87 - 08.91	62	1796	4	E 18 NV/S 18 NV	CL208	119	
	2.0 GSI	09.86 - 08.91	85	1998	4	20 NE	CL208	119	
	2.0 GSI	09.86 - 08.91	95	1998	4	20 SEH	CL208	119	
	2.0 GSI cat	09.86 - 08.91	85	1998	4	C 20 NE	CL208	119	
Kadett E Combo (38_, 48_)	1.3 N	01.86 - 12.89	44	1297	4	13 N	CL205	118	
	1.3 S	01.86 - 12.89	55	1297	4	13 S	CL205	118	
	1.4 i	08.91 - 07.94	44	1389	4	C 14 NZ	CL206	118	
	1.4 S	07.89 - 08.91	55	1389	4	14 NV	CL206	118	
	1.6	09.86 - 12.91	60	1598	4	16 SV	CL206	118	
Kadett E Van (37_, 47_)	1.2	09.84 - 07.86	40	1196	4	12 SC	CL228	125	
	1.4 i	01.90 - 08.91	44	1389	4	C 14 NZ	CL206	118	
Manta B (58_, 59_)	1.3 S	08.81 - 08.86	55	1297	4	13 S	CL205	118	
	1.6 N	09.75 - 12.80	44	1584	4	16 N	CL228	125	
	1.6 S	09.75 - 12.81	55	1584	4	16 S	CL228	125	
	1.9 E	09.75 - 08.77	77	1897	4	19 E	CL228	125	
	1.9 S	09.75 - 12.80	66	1897	4	19 S	CL228	125	
	2.0 E	08.77 - 08.88	81	1979	4	20 E	CL228	125	
	2.0 S	08.77 - 08.84	74	1979	4	20 S	CL228	125	
Manta B CC (53_, 55_)	1.3 S	08.79 - 08.86	55	1297	4	13 S	CL205	118	
	1.6 N	09.75 - 12.80	44	1584	4	16 N	CL228	125	
	2.0 E	08.77 - 08.88	81	1979	4	20 E	CL228	125	
	2.0 S	08.77 - 08.84	74	1979	4	20 S	CL228	125	
Meriva	1.6	05.03 -	64	1598	4	Z 16 SE	CL212	121	
	1.6 16V	05.03 -	74	1598	4	Z 16 XE	CL202	117	
	1.6 Turbo	09.05 -	132	1598	4	Z 16 LET	CL221	123	
	1.8	05.03 -	92	1796	4	Z 18 XE	CL203	117	
Monza A (22_)	2.2 E	11.84 - 08.86	85	2197	4	22 E	CL205	118	
Omega A (16_, 17_, 19_)	1.8	09.87 - 03.94	65	1796	4	E 18 NVR	CL208	119	
	1.8 N	09.86 - 08.87	60	1796	4	18 NV	CL208	119	
	1.8 S	09.86 - 03.94	66	1796	4	18 SV	CL206	118	
	2.0	09.86 - 03.94	90	1998	4	20 SE	CL208	119	
	2.0	09.90 - 03.94	73	1998	4	C 20 NEJ	CL208	119	
	2.0	09.90 - 03.94	74	1998	4	C 20 NEF	CL208	119	
	2.0 i	09.86 - 03.94	85	1998	4	C 20 NE	CL208	119	
	2.4 i	09.88 - 03.94	92	2410	4	C 24 NE	CL208	119	
	3.0	03.87 - 12.87	115	2969	6	C 30 LE	CL208	119	
	3.0	03.87 - 09.90	130	2969	6	30 NE	CL208	119	
	3.0 24V	09.89 - 03.94	147	2969	6	C 30 SEJ	CL208	119	
	3.0 24V	09.89 - 03.94	150	2969	6	C 30 SE	CL208	119	
	3.0 24V	03.91 - 07.92	169	2969	6	C 30 XEI	CL208	119	
3.0 cat	03.88 - 03.94	130	2969	6	C 30 NE	CL208	119		
Omega A Caravan (66_, 67_)	1.8	09.87 - 03.94	65	1796	4	E 18 NVR	CL208	119	
	1.8 N	09.86 - 08.87	60	1796	4	18 NV	CL208	119	
	1.8 S	09.86 - 03.94	66	1796	4	18 SV	CL206	118	
	2.0	09.86 - 03.94	90	1998	4	20 SE	CL208	119	
	2.0	09.90 - 03.94	74	1998	4	C 20 NEF	CL208	119	
	2.0 i	09.86 - 03.94	85	1998	4	C 20 NE	CL208	119	
	2.0 i	09.90 - 03.94	73	1998	4	C 20 NEJ	CL208	119	
	2.4 i	09.88 - 03.94	92	2410	4	C 24 NE	CL208	119	
	3.0	03.87 - 03.94	115	2969	6	C 30 LE	CL208	119	
	3.0 cat	03.87 - 03.94	130	2969	6	C 30 NE	CL208	119	
	3.0 24V	09.89 - 03.94	147	2969	6	C 30 SEJ	CL208	119	
	Omega B (25_, 26_, 27_)	2.0	03.94 - 09.99	85	1998	4	X 20 SE	CL219	123
		2.0 16V	03.94 - 09.99	100	1998	4	X 20 XEV	CL207	119
2.2 16V		09.99 - 07.03	106	2198	4	Y 22 XE/Z 22 XE	CL223	124	
2.5 V6		03.94 - 09.00	125	2498	6	X 25 XE	CL209	120	
							CL210	121	
							CL222	124	
2.6 V6		09.00 - 07.03	132	2597	6	Y 26 SE	CL229	125	
						CL230	125		

CAR	MODEL	YEAR	KW	CCM	CYL	MOTOR	COIL TYPE	PAGE
OPEL								
Omega B (25_, 26_, 27_)	3.0V6	04.94 - 02.01	155	2962	6	X 30 XE	CL209	120
							CL210	121
							CL222	124
	3.2V6	02.01 - 07.03	160	3175	6	Y 32 SE	CL229	125
							CL230	125
Omega B Caravan (21_, 22_, 23_)	2.0	03.94 - 09.99	85	1998	4	X 20 SE	CL219	123
	2.0 16V	03.94 - 09.99	100	1998	4	X 20 XEV	CL207	119
	2.2 16V	09.99 - 07.03	106	2198	4	Y 22 XE/Z 22 XE	CL223	124
	2.5 V6	03.94 - 09.00	125	2498	6	X 25 XE	CL209	120
							CL210	121
							CL222	124
	2.6 V6	09.00 - 07.03	132	2597	6	Y 26 SE	CL229	125
							CL230	125
3.0 V6	04.94 - 02.01	155	2962	6	X 30 XE	CL209	120	
						CL210	121	
						CL222	124	
3.2 V6	02.01 - 07.03	160	3175	6	Y 32 SE	CL229	125	
						CL230	125	
Senator B (29_)	2.5 i	09.90 - 09.93	103	2490	6	25 NE	CL208	119
	2.6 i	09.90 - 09.93	110	2594	6	C 26 NE	CL208	119
	3.0	09.87 - 09.93	115	2969	6	C 30 LE	CL208	119
	3.0 24V	09.89 - 09.93	150	2969	6	C 30 SE	CL208	119
Signum	1.8	05.03 -	90	1796	4	Z 18 XE	CL203	117
	1.8	09.05 -	103	1796	4	Z 18 XER	CL221	123
	2.2 direct	05.03 -	114	2198	4	Z 22 YH	CL226	124
	3.2 V6	05.03 -	155	3175	6	Z 32 SE	CL229	125
CL230							125	
Speedster	2.0 Turbo	04.03 -	147	1998	4	Z 20 LET	CL218	122
	2.2	09.00 -	108	2198	4	Z 22 SE	CL224	124
Tigra (95_)	1.4 16V	07.94 - 12.00	66	1389	4	X 14 XE	CL200	116
	1.4 16V	08.97 - 12.00	63	1389	4	X 14 XE	CL200	116
	1.6 16V	07.94 - 08.98	78	1598	4	X 16 XE	CL200	116
	1.6 16V	08.97 - 08.98	74	1598	4	C 16 SEL	CL200	116
Tigra TwinTop	1.4	06.04 -	66	1364	4	Z 14 XEP	CL215	122
	1.8	06.04 -	92	1796	4	Z 18 XE	CL203	117
Vectra A (86_, 87_)	1.6	09.88 - 12.90	60	1598	4	16 SV	CL205	118
	1.6	01.90 - 05.93	60	1598	4	16 SV	CL206	118
	1.6 i	09.88 - 10.90	55	1598	4	E 16 NZ	CL205	118
	1.6 i	09.93 - 11.95	52	1598	4	X 16 SZ	CL200	116
	1.6 i	09.93 - 11.95	55	1598	4	16 LZ2	CL206	118
	1.6 i cat	09.88 - 11.95	55	1598	4	C 16 NZ2/C 16 NZ	CL205	118
	1.8 i cat	03.90 - 11.95	66	1796	4	C 18 NZ	CL206	118
	1.8 S	09.89 - 10.90	66	1796	4	18 SV	CL206	118
	1.8 S 4x4	01.89 - 07.89	65	1796	4	E 18 NVR	CL206	118
	2.0	09.88 - 09.89	74	1998	4	C 20 NEF	CL208	119
	2.0 16V 4x4	01.89 - 10.90	110	1998	4	20 XEJ	CL208	119
	2.0 GT 16V	01.89 - 06.94	110	1998	4	20 XEJ	CL208	119
	2.0 GT 16V cat	02.90 - 11.95	110	1998	4	C 20 XE	CL219	123
	2.0 GT 16V 4x4 cat	02.90 - 11.95	110	1998	4	C 20 XE	CL219	123
	2.0 i	09.88 - 10.90	85	1998	4	20 NE	CL208	119
	2.0 i	09.88 - 09.92	95	1998	4	20 SEH	CL208	119
	2.0 i 4x4	01.89 - 10.90	85	1998	4	20 NE	CL208	119
	2.0 i 4x4	01.89 - 09.92	95	1998	4	20 SEH	CL208	119
	2.0 i cat	09.88 - 11.95	85	1998	4	C 20 NE	CL208	119
	2.0 i 4x4 cat	01.89 - 11.95	85	1998	4	C 20 NE	CL208	119
	2.0 i 16V	06.94 - 11.95	100	1998	4	X 20 XEV	CL207	119
	2.0 i 16V 4x4	06.94 - 11.95	100	1998	4	X 20 XEV	CL207	119
	2.0 i Turbo 4x4	06.94 - 11.95	150	1998	4	C 20 LET	CL208	119
2.5 V6	02.93 - 11.95	125	2498	6	C 25 XE	CL210	121	
Vectra A CC (88_, 89_)	1.6 i	09.93 - 11.95	52	1598	4	X 16 SZ	CL200	116

CAR	MODEL	YEAR	KW	CCM	CYL	MOTOR	COIL TYPE	PAGE
OPEL								
Vectra A CC (88_, 89_)	1.6 i	09.93 - 11.95	55	1598	4	16 LZ2	CL206	118
	1.6 i cat	09.88 - 11.95	55	1598	4	C 16 NZ2/C 16 NZ	CL205	118
	1.6 S	09.88 - 12.90	60	1598	4	16 SV	CL205	118
	1.6 S	01.90 - 05.93	60	1598	4	16 SV	CL206	118
	1.8 i	09.88 - 10.90	66	1796	4	18 SV	CL206	118
	1.8 i cat	03.90 - 11.95	66	1796	4	C 18 NZ	CL206	118
	1.8 S	09.88 - 07.89	65	1796	4	E 18 NVR	CL206	118
	2.0	04.88 - 09.89	74	1998	4	C 20 NEF	CL208	119
	2.0 i	09.88 - 10.90	85	1998	4	20 NE	CL208	119
	2.0 i cat	09.88 - 11.95	85	1998	4	C 20 NE	CL208	119
	2.0 i GT	09.88 - 11.95	95	1998	4	20 SEH	CL208	119
	2.0 i 16V	02.89 - 10.90	110	1998	4	20 XEJ	CL208	119
	2.0 i 16V	06.94 - 11.95	100	1998	4	X 20 XEV	CL207	119
	2.0 i 16V cat	02.90 - 11.95	110	1998	4	C 20 XE	CL219	123
	2.5 V6	02.93 - 11.95	125	2498	6	C 25 XE	CL210	121
Vectra B (36_)	1.6 i	10.95 - 04.02	55	1598	4	X 16 SZR	CL200	116
	1.6 i 16V	10.95 - 04.02	74	1598	4	Z 16 XE/X 16 XEL/Y 16 XE	CL200	116
							CL202	117
	1.8 i 16V	10.95 - 09.00	85	1796	4	X 18 XE1	CL203	117
	1.8 i 16V	10.95 - 09.00	85	1796	4	X 18 XE	CL207	119
	1.8 i 16V	09.00 - 04.02	92	1796	4	Z 18 XE	CL203	117
	2.0 i 16V	10.95 - 09.00	100	1998	4	X 20 XEV/C 20 SEL	CL207	119
	2.2 i 16V	09.00 - 04.02	108	2198	4	Z 22 SE	CL224	124
	2.5 i V6	10.95 - 09.00	125	2498	6	X 25 XE	CL209	120
	2.6 i V6	09.00 - 04.02	125	2597	6	Y 26 SE	CL229	125
							CL230	125
Vectra B Caravan (31_)	1.6 i	11.96 - 06.00	55	1598	4	X 16 SZR	CL200	116
	1.6 i 16V	11.96 - 07.02	74	1598	4	Z 16 XE/X 16 XEL/Y 16 XE	CL200	116
							CL202	117
	1.8 i 16V	11.96 - 09.00	85	1796	4	X 18 XE1	CL203	117
	1.8 i 16V	11.96 - 09.00	85	1796	4	X 18 XE	CL207	119
	1.8 i 16V	09.00 - 07.03	92	1796	4	Z 18 XE	CL203	117
	2.0 i 16V	11.96 - 09.00	100	1998	4	X 20 XEV/C 20 SEL	CL207	119
	2.2 i 16V	09.00 - 07.03	108	2198	4	Z 22 SE	CL224	124
	2.5 i V6	11.96 - 09.00	125	2498	6	X 25 XE	CL209	120
	2.6 i V6	09.00 - 07.03	125	2597	6	Y 26 SE	CL229	125
							CL230	125
Vectra B CC (38_)	1.6 i	10.95 - 07.03	55	1598	4	X 16 SZR	CL200	116
	1.6 i 16V	10.95 - 07.02	74	1598	4	Z 16 XE/X 16 XEL/Y 16 XE	CL200	116
							CL202	117
	1.8 i 16V	10.95 - 09.00	85	1796	4	X 18 XE1	CL203	117
	1.8 i 16V	10.95 - 09.00	85	1796	4	X 18 XE	CL207	119
	1.8 i 16V	09.00 - 07.03	92	1796	4	Z 18 XE	CL203	117
	2.0 i 16V	10.95 - 09.00	100	1998	4	X 20 XEV/C 20 SEL	CL207	119
	2.2 i 16V	09.00 - 07.03	108	2198	4	Z 22 SE	CL224	124
	2.5 i V6	10.95 - 09.00	125	2498	6	X 25 XE	CL209	120
	2.6 i V6	09.00 - 07.03	125	2597	6	Y 26 SE	CL229	125
							CL230	125
Vectra B i500 (36_)	2.5 i	05.98 - 09.00	143	2498	6	X 25 XE	CL209	120
Vectra B i500 Caravan (31_)	2.5 i	05.98 - 09.00	143	2498	6	X 25 XE	CL209	120
Vectra C	1.6	01.06 -	77	1598	4	Z 16 XEP	CL221	123
	1.6 16V	06.04 -	74	1598	4	Z 16 XE	CL202	117
	1.8	04.02 -	81	1796	4	Z 18 XEL	CL203	117
	1.8	01.06 -	103	1796	4	Z 18 XER	CL221	123
	1.8 16V	04.02 -	90	1796	4	Z 18 XE	CL203	117
	2.2 16V	04.02 -	108	2198	4	Z 22 SE	CL224	124
	2.2 direct	10.03 -	114	2198	4	Z 22 YH	CL226	124
	3.2 V6	08.02 -	155	3175	6	Z 32 SE	CL229	125
							CL230	125
Vectra C Caravan	1.8	10.03 -	90	1796	4	Z 18 XE	CL203	117

CAR	MODEL	YEAR	KW	ccm	CYL	MOTOR	COIL TYPE	PAGE
OPEL								
Vectra C Caravan	1.8	01.06 -	103	1796	4	Z 18 XER	CL221	123
	2.2 direct	10.03 -	114	2198	4	Z 22 YH	CL226	124
	3.2 V6	10.03 -	155	3175	6	Z 32 SE	CL229	125
							CL230	125
Vectra C GTS	1.6	01.06 -	77	1598	4	Z 16 XEP	CL221	123
	1.8	01.06 -	103	1796	4	Z 18 XER	CL221	123
	1.8 16V	08.02 -	90	1796	4	Z 18 XE	CL203	117
	2.2 direct	10.03 -	114	2198	4	Z 22 YH	CL226	124
	3.2 V6	08.02 -	155	3175	6	Z 32 SE	CL229	125
							CL230	125
Vivaro Combi (J7)	2.0 16V	08.01 -	88	1998	4	F4R 720	CL100	100
Vivaro Van (F7)	2.0 16V	08.01 -	88	1998	4	F4R 720	CL100	100
Zafira (F75_)	1.6 16V	04.99 - 06.05	74	1598	4	Z 16 XE/X 16 XEL	CL202	117
	1.6 CNG	09.01 - 06.05	71	1598	4	Z 16 YNG	CL202	117
	1.8 16V	04.99 - 09.00	85	1796	4	X 18 XE1	CL203	117
	1.8 16V	09.00 - 06.05	92	1796	4	Z 18 XE	CL203	117
	2.0 OPC	09.01 - 06.05	141	1998	4	Z 20 LET	CL218	122
	2.0 OPC	11.02 - 06.05	147	1998	4	Z 20 LET/Z 20 LER	CL218	122
	2.2 16V	09.00 - 06.05	108	2198	4	Z 22 SE	CL224	124
Zafira	1.6	07.05 -	77	1598	4	Z 16 XEP	CL221	123
	1.8	07.05 -	103	1796	4	Z 18 XEP/Z 18 XER	CL221	123
	2.0	07.05 -	147	1998	4	Z 20 LER	CL218	122
	2.2	07.05 -	110	2198	4	Z 22 YH	CL226	124
PEUGEOT								
1007 (KM_)	1.4	04.05 -	54	1360	4	KFV (TU3JP)	CL111	105
							CL120	109
	1.6 16V	04.05 -	80	1587	4	NFU (TU5JP4)	CL104	102
106 I (1A, 1C)	1.0	09.91 - 04.96	33	954	4	CDY (TU9M)	CL106	102
	1.0	09.91 - 04.96	37	954	4	CDZ (TU9M)	CL106	102
	1.1	09.91 - 04.96	44	1124	4	HDZ (TU1M)	CL109	104
	1.4	09.91 - 04.96	69	1361	4	KFZ (TU3J2/Z)	CL106	102
	1.4	02.94 - 04.96	55	1361	4	KDX (TU3MC)/KDY (TU3M)	CL109	104
	1.4	03.94 - 04.96	55	1361	4	KDX (TU3MC)/KDY (TU3M)	CL106	102
	1.6	06.93 - 04.96	65	1587	4	NFZ (TU5JP)	CL106	102
	1.6	01.94 - 04.96	76	1587	4	NFY (TU5J2)	CL106	102
106 II (1)	1.0 i	05.96 -	33	954	4	CDY (TU9M)	CL107	103
	1.0 i	01.97 -	37	954	4	CDZ (TU9M)	CL107	103
	1.1 i	01.97 -	40	1124	4	HDY (TU1M)	CL107	103
							CL111	105
	1.1 i	05.96 -	44	1124	4	HDZ (TU1M)/HFX (TU1JP)	CL111	105
	1.4 i	06.97 - 06.00	55	1360	4	KFX (TU3JP)/KFW (TU3JP)	CL110	105
	1.4 i	06.00 -	55	1360	4	KFX (TU3JP)/KFW (TU3JP)	CL111	105
	1.6 i	05.96 -	65	1587	4	NFZ (TU5JP)	CL106	102
	1.6 i	05.96 -	74	1587	4	NFW (TU5J2)/NFY (TU5J2)	CL106	102
	1.6 S16	05.96 -	87	1587	4	NFX (TU5J4)	CL127	111
						CL141	115	
107	1.0	06.05 -	50	998	3	1KR (384 F)	CL555	149
205 I Cabrio (741B, 20D)	1.1 CJ	10.89 - 12.94	44	1124	4	HDZ (TU1M)	CL108	104
	1.4 CJ	03.89 - 12.94	49	1360	4	K1D (TU3A)	CL108	104
	1.4 CJ	05.91 - 12.94	55	1361	4	KDZ (TU3M)/KDY (TU3M)	CL108	104
	1.4 CJ cat	01.89 - 09.93	44	1361	4	KAY (TU3CP)	CL108	104
	1.6 CJ	08.92 - 12.94	65	1580	4	BDY (XU5M3Z)	CL107	103
205 II (20A/C)	1.0	10.87 - 09.98	33	954	4	TU9	CL108	104
	1.1	10.87 - 10.90	40	1124	4	H1B (TU1)	CL108	104
	1.1	07.89 - 09.98	44	1124	4	HDZ (TU1M)	CL108	104
	1.4	10.87 - 10.90	49	1360	4	K1D (TU3A)	CL108	104
	1.4	06.87 - 12.89	62	1360	4	K2B (TU3S)	CL108	104
	1.4	07.88 - 09.98	55	1361	4	KFX (TU3JP)/KDZ (TU3M)/KDY (TU3M)	CL108	104
	1.4 cat	08.87 - 09.93	44	1360	4	KAY (TU3CP)	CL108	104
	1.6 Aut.	05.90 - 09.98	65	1580	4	BDY (XU5M2Z)/BDY (XU5M3Z)	CL107	103

CAR	MODEL	YEAR	KW	CCM	CYL	MOTOR	COIL TYPE	PAGE
PEUGEOT								
205 II (20A/C)	1.9 GTI	10.87 - 09.98	94	1905	4	D6B (XU9JA (G-KAT))	CL108	104
206 (2A/C, T3E)	1.1 i	09.98 -	44	1124	4	HFZ (TU1JP)/HFX (TU1JP)	CL111	105
	1.4 i	09.98 -	55	1360	4	KFX (TU3JP)/KFW (TU3JP)	CL120	109
	1.4 i	09.98 - 02.09	55	1360	4	KFX (TU3JP)/KFW (TU3JP)	CL110	105
	1.4 i	03.00 - 02.09	55	1360	4	KFX (TU3JP)/KFW (TU3JP)	CL111	105
	1.6 16V	12.00 -	80	1587	4	NFU (TU5JP4)	CL104	102
	1.6 i	09.98 - 12.00	65	1587	4	NFZ (TU5JP)	CL106	102
							CL110	105
	2.0 RC	07.03 -	130	1997	4	RFK (EW10J4S)	CL112	105
	2.0 S16	04.99 - 10.00	99	1997	4	RFR (DEW10J4)	CL112	105
	2.0 S16	10.00 -	100	1997	4	RFN (EW10J4)	CL112	105
206 CC (2D)	1.6 16V	09.00 -	80	1587	4	NFU (TU5JP4)	CL104	102
	2.0 S16	09.00 -	100	1997	4	RFN (EW10J4)	CL112	105
206 Sedan	1.4	03.07 -	55	1360	4		CL120	109
206 SW (2E/K)	1.4	07.02 -	55	1360	4	KFW (TU3JP)	CL111	105
	1.4 16V	10.03 -	65	1360	4	KFU (ET3J4)	CL111	105
	1.6 16V	07.02 -	80	1587	4	NFU (TU5JP4)	CL104	102
	2.0 16V	07.02 -	100	1997	4	RFN (EW10J4)	CL112	105
207 (WA_, WC_)	1.4	02.06 -	53	1360	4	KFV (TU3A)	CL120	109
	1.6 16V VTi	02.07 -	88	1598	4	EP6	CL603	154
207 CC (WD_)	1.6 16V	02.07 -	88	1598	4	EP6	CL603	154
207 SW (WK_)	1.4	06.07 -	54	1360	4	KFV (TU3A)	CL120	109
	1.6 16V	06.07 -	88	1598	4	EP6	CL603	154
306 (7B, N3, N5)	1.1	06.94 - 05.01	44	1124	4	HDZ (TU1M)	CL106	102
	1.4 SL	06.94 - 05.01	55	1360	4	KDX (TU3MC)/KFX, KFW (TU3JP)	CL111	105
	1.4 SL	06.97 - 06.00	55	1360	4	KDX (TU3MC)/KFX, KFW (TU3JP)	CL110	105
	1.4 SL	06.97 - 05.01	55	1360	4	KDX (TU3MC)/KFX, KFW (TU3JP)	CL106	102
	1.6 SR	04.97 - 10.00	65	1587	4	NFZ (TU5JP)	CL106	102
	1.6 SR	07.98 - 10.00	65	1587	4	NFZ (TU5JP)	CL110	105
	1.8 16V	03.97 - 05.01	81	1761	4	LFY (XU7JP4)	CL107	103
	1.8 16V	09.97 - 05.01	81	1761	4	LFY (XU7JP4)	CL115	107
	1.8 ST	06.94 - 05.01	74	1762	4	LFZ (XU7JP)	CL107	103
	2.0	03.97 - 09.97	97	1998	4	RFV (XU10J4R)	CL113	106
	2.0	09.97 - 05.01	97	1998	4	RFV (XU10J4R)	CL115	107
	2.0 S16	06.94 - 05.01	110	1998	4	RFT (XU10J4)	CL105	102
	2.0 ST	07.94 - 05.01	89	1998	4	RFX (XU10J2)	CL107	103
306 Break (7E, N3, N5)	1.4	03.97 - 04.02	55	1360	4	KFX (TU3JP)/KFW (TU3JP)	CL111	105
	1.4	06.97 - 06.00	55	1360	4	KFX (TU3JP)/KFW (TU3JP)	CL110	105
	1.6	04.97 - 10.00	65	1587	4	NFZ (TU5JP)	CL106	102
	1.6	07.98 - 10.00	65	1587	4	NFZ (TU5JP)	CL110	105
	1.8	03.97 - 04.02	74	1762	4	LFZ (XU7JP)	CL107	103
	1.8 16V	03.97 - 04.02	81	1761	4	LFY (XU7JP4)	CL107	103
	1.8 16V	09.97 - 04.02	81	1761	4	LFY (XU7JP4)	CL115	107
	2.0	03.97 - 04.02	97	1998	4	RFV (XU10J4R)	CL115	107
306 Cabrio (7D, N3, N5)	1.6	04.96 - 10.00	65	1587	4	NFZ (TU5JP)	CL106	102
	1.8	03.94 - 04.02	74	1762	4	LFZ (XU7JP)	CL107	103
	1.8 16V	07.00 - 04.02	81	1761	4	LFY (XU7JP4)	CL107	103
							CL115	107
	2.0	03.94 - 04.02	89	1998	4	RFX (XU10J2)	CL107	103
	2.0 16V	03.97 - 09.97	97	1998	4	RFV (XU10J4R)	CL113	106
	2.0 16V	09.97 - 04.02	97	1998	4	RFV (XU10J4R)	CL115	107
306 Hatchback (7A, 7C, N3, N5)	1.1	05.93 - 05.01	44	1124	4	HDZ (TU1M)	CL106	102
	1.4	05.93 - 05.01	55	1360	4	KDX (TU3MC)/KFX, KFW (TU3JP)	CL111	105
	1.4	06.97 - 05.01	55	1360	4	KDX (TU3MC)/KFX, KFW (TU3JP)	CL106	102
	1.6	05.93 - 10.00	65	1587	4	NFZ (TU5JP)	CL106	102
	1.8	05.93 - 05.01	74	1762	4	LFZ (XU7JP)	CL107	103
	1.8 16V	03.97 - 05.01	81	1761	4	LFY (XU7JP4)	CL107	103
	1.8 16V	09.97 - 05.01	81	1761	4	LFY (XU7JP4)	CL115	107
	2.0 16V	03.97 - 09.97	97	1998	4	RFV (XU10J4R)	CL113	106
	2.0 16V	09.97 - 05.01	97	1998	4	RFV (XU10J4R)	CL115	107

CAR	MODEL	YEAR	KW	CCM	CYL	MOTOR	COIL TYPE	PAGE
PEUGEOT								
306 Hatchback (7A, 7C, N3, N5)	2.0 S16	03.96 - 05.01	120	1998	4	RFS (XU10J4RS)	CL132	113
	2.0 XSi	05.93 - 05.01	89	1998	4	RFX (XU10J2)	CL107	103
307 (3A/C)	1.4	08.00 -	55	1360	4	KFW (TU3JP)	CL111	105
	1.6 16V	08.00 -	80	1587	4	NFU (TU5JP4)	CL104	102
	2.0 16V	03.05 -	103	1997	4	RFJ (EW10A)	CL138	114
	2.0 16V	06.05 -	130	1997	4	RFK (EW10J4S)	CL133	113
307 Break (3E)	1.4 16V	11.03 -	65	1360	4	KFU (ET3J4)	CL111	105
	1.6 16V	03.02 -	80	1587	4	NFU (TU5JP4)	CL104	102
	2.0	03.02 -	100	1997	4	RFN (EW10J4)	CL112	105
	2.0 16V	03.05 -	103	1997	4	RFJ (EW10A)	CL138	114
307 CC (3B)	1.6 16V	03.05 -	80	1587	4	NFU (TU5JP4)	CL104	102
	2.0 16V	10.03 -	100	1997	4	RFN (EW10J4)	CL112	105
	2.0 16V	10.03 -	130	1997	4	RFK (EW10J4S)	CL133	113
	2.0 16V	03.05 -	103	1997	4	RFJ (EW10A)	CL138	114
307 SW (3H)	1.4 16V	11.03 -	65	1360	4	KFU (ET3J4)	CL111	105
	1.6 16V	03.02 -	80	1587	4	NFU (TU5JP4)	CL104	102
	2.0 16V	03.02 -	100	1997	4	RFN (EW10J4)	CL112	105
	2.0 16V	03.05 -	103	1997	4	RFJ (EW10A)	CL138	114
308 (4A_, 4C_)	1.4 16V	09.07 -	70	1397	4		CL603	154
	1.6 16V	09.07 -	88	1598	4	EP6	CL603	154
309 I (10C, 10A)	1.3	10.85 - 07.89	47	1294	4	G1A	CL114	106
	1.4	03.89 - 07.89	49	1360	4	K1D (TU3A)	CL108	104
	1.4	03.89 - 07.89	55	1360	4	KDZ (TU3M)/KDY (TU3M)	CL108	104
	1.4	03.89 - 07.89	62	1360	4	K2B (TU3S)	CL108	104
	1.6	11.85 - 09.88	76	1580	4	180Z (XU5J)/B6B (XU5J)	CL108	104
	1.6	01.86 - 07.89	69	1592	4		CL114	106
309 II (3C, 3A)	1.1	08.90 - 12.93	44	1124	4	HDZ (TU1M)	CL108	104
							CL114	106
	1.4	07.90 - 12.93	49	1361	4	K1D (TU3A)	CL108	104
	1.4	07.89 - 12.93	55	1361	4	KDZ (TU3M)/KDY (TU3M)	CL108	104
	1.6	07.89 - 12.93	65	1580	4	BDY (XU5M2Z,-3Z)/BDZ (XU5M)	CL107	103
	1.6	07.89 - 12.93	68	1580	4	B2A (XU52C/K)	CL114	106
	1.6	07.89 - 12.93	69	1580	4		CL114	106
	1.9 GTI	07.89 - 12.93	88	1905	4	DKZ (XU9JAZ)	CL108	104
	1.9 GTI 16V	10.90 - 12.93	108	1905	4	DFW (XU9J4Z)	CL114	106
1.9 GTI 16V	08.89 - 07.90	116	1905	4	D6C (XU9J4)	CL114	106	
405 I (15B)	1.4	01.87 - 07.92	47	1360	4	TU 3	CL108	104
	1.6	07.87 - 12.92	53	1580	4	B1E (XU51C)	CL114	106
	1.6	07.87 - 06.88	55	1580	4	B1E (XU51C)/BAZ (XU5CP)	CL114	106
	1.6	07.87 - 12.92	65	1580	4	BDY (XU5M2Z)/BDZ (XU5M)	CL114	106
	1.6	09.90 - 12.92	65	1580	4	BDY (XU5M2Z)/BDZ (XU5M)	CL107	103
	1.6	10.89 - 12.92	66	1580	4	BDZ (XU5M)	CL114	106
	1.6	01.87 - 12.92	69	1580	4	B2A (XU52C/K)	CL114	106
	1.6 4x4	04.88 - 07.92	65	1580	4	BDZ (XU5M)	CL114	106
	1.9	07.87 - 12.92	70	1905	4	D2C (XU92C (U-KAT))	CL114	106
	1.9	07.88 - 12.92	88	1905	4	DKZ (XU9JAZ)	CL114	106
	1.9 Sport MI-16	07.87 - 11.91	116	1905	4	D6C (XU9J4)	CL114	106
	1.9 Sport MI-16	04.88 - 12.92	108	1905	4	DFW (XU9J4Z)	CL114	106
	1.9 Sport MI-16 4x4	04.88 - 12.92	108	1905	4	DFW (XU9J4Z)	CL114	106
405 I Break (15E)	1.6	10.88 - 08.92	55	1580	4	BAZ (XU5CP)	CL114	106
	1.6	10.88 - 09.90	65	1580	4	BDY (XU5M2Z,-3Z)/BDZ (XU5M)	CL114	106
	1.6	10.90 - 08.92	65	1580	4	BDY (XU5M2Z,-3Z)/BDZ (XU5M)	CL107	103
	1.6	10.88 - 08.92	66	1580	4	BDZ (XU5M)	CL114	106
	1.6 SRi 4x4	04.88 - 07.92	65	1580	4	BDZ (XU5M)	CL114	106
	1.9	10.88 - 08.92	70	1905	4	D2C (XU92C (U-KAT))	CL114	106
	1.9	10.88 - 08.92	88	1905	4	DKZ (XU9JAZ)	CL114	106
405 II (4B)	1.4	08.92 - 10.95	55	1361	4	KDX (TU3MC)	CL106	102
	1.6	08.92 - 10.95	65	1580	4	BFZ (XU5JP)/BDY/BDZ (XU5M)	CL107	103
	1.8	08.92 - 10.95	74	1762	4	LFZ (XU7JP)	CL107	103
	2.0	08.92 - 10.95	89	1998	4	RFX (XU10J2)	CL107	103

CAR	MODEL	YEAR	kW	ccm	CYL	MOTOR	COIL TYPE	PAGE
PEUGEOT								
405 II (4B)	2.0 X4	08.92 - 10.95	89	1998	4	RFX (XU10J2)	CL107	103
	2.0T 16 X4	08.92 - 10.95	144	1998	4	RGZ (XU10J4TE/Z)	CL105	102
405 II Break (4E)	1.4	08.92 - 10.96	55	1361	4	KDX (TU3MC)	CL106	102
	1.6	08.92 - 10.96	65	1580	4	BFZ (XU5JP)/BDY/BDZ (XU5M)	CL107	103
	1.8	08.92 - 10.96	74	1762	4	LFZ (XU7JP)	CL107	103
	2.0	08.92 - 10.96	89	1998	4	RFX (XU10J2)	CL107	103
	2.0 4x4	08.92 - 10.96	89	1998	4	RFX (XU10J2)	CL107	103
406 (8B)	1.6	11.95 - 05.04	65	1580	4	BFZ (XU5JP)	CL107	103
	1.8	05.97 - 05.04	66	1761	4	LFX (XU7JB)	CL107	103
	1.8 16V	11.95 - 03.99	81	1761	4	LFY (XU7JP4)	CL107	103
	1.8 16V	09.97 - 10.00	81	1761	4	LFY (XU7JP4)	CL115	107
	1.8 16V	10.00 - 05.04	85	1749	4	6FZ (EW7J4)	CL112	105
	2.0 16V	11.95 - 09.97	97	1998	4	RFV (XU10J4R)	CL113	106
	2.0 16V	09.97 - 03.99	97	1998	4	RFV (XU10J4R)	CL115	107
	2.0 16V	01.99 - 08.00	99	1997	4	RFR (DEW10J4)	CL112	105
	2.0 16V	08.00 - 05.04	100	1997	4	RFN (EW10J4)	CL112	105
	2.0 Turbo	04.96 - 05.04	108	1998	4	RGX (XU10J2TE)	CL107	103
	2.2	07.00 - 05.04	116	2230	4	3FZ (EW12J4)	CL133	113
	3.0 24V	10.96 - 05.04	140	2946	6	XFZ (ES9J4)	CL140	115
	3.0 V6	03.00 - 05.04	152	2946	6	XFZ (ES9J4S)	CL135	113
406 Break (8E/F)	1.8	05.97 - 10.04	66	1761	4	LFX (XU7JB)	CL107	103
	1.8 16V	10.96 - 03.99	81	1761	4	LFY (XU7JP4)	CL107	103
	1.8 16V	09.97 - 10.00	81	1761	4	LFY (XU7JP4)	CL115	107
	1.8 16V	10.00 - 10.04	85	1749	4	6FZ (EW7J4)	CL112	105
	2.0 16V	11.96 - 11.97	97	1998	4	RFV (XU10J4R)	CL113	106
	2.0 16V	09.97 - 04.04	97	1998	4	RFV (XU10J4R)	CL115	107
	2.0 16V	01.99 - 10.00	99	1997	4	RFR (DEW10J4)	CL112	105
	2.0 16V	10.00 - 10.04	100	1997	4	RFN (EW10J4)	CL112	105
	2.0 Turbo	10.96 - 10.04	108	1998	4	RGX (XU10J2TE)	CL107	103
	2.2	07.00 - 10.04	116	2230	4	3FZ (EW12J4)	CL133	113
	3.0 24V	10.96 - 10.04	140	2946	6	XFZ (ES9J4)	CL140	115
	3.0 V6	03.00 - 10.04	152	2946	6	XFZ (ES9J4S)	CL135	113
	406 Coupe (8C)	2.0 16V	05.97 - 09.97	97	1998	4	RFV (XU10J4R)	CL113
2.0 16V		05.97 - 04.99	97	1998	4	RFV (XU10J4R)	CL115	107
2.0 16V		01.99 - 10.00	99	1997	4	RFR (DEW10J4)	CL112	105
2.0 16V		10.00 - 12.04	100	1997	4	RFN (EW10J4)	CL112	105
2.2		03.02 - 12.04	116	2230	4	3FZ (EW12J4)	CL133	113
3.0 V6		03.00 - 12.04	152	2946	6	XFZ (ES9J4S)	CL135	113
3.0 V6 24V		03.97 - 12.04	140	2946	6	XFZ (ES9J4)	CL140	115
407 (6D_)	1.8 16V	09.05 -	92	1749	4	6FY (EW7A)	CL138	114
	2.0	05.04 -	100	1997	4	RFN (EW10J4)	CL112	105
	2.0 16V	09.05 -	103	1997	4	RFJ (EW10A)	CL138	114
	2.2	05.04 -	116	2230	4	3FZ (EW12J4)	CL133	113
							CL139	114
	3.0	05.04 -	155	2946	6	XFV (ES9A)	CL135	113
407 Coupe (6C_)	2.2 16V	10.05 -	120	2230	4	3FY (EW12J4)	CL133	113
	3.0 V6	10.05 -	155	2946	6	XFV (ES9A)	CL135	113
407 SW (6E_)	1.8 16V	09.05 -	92	1749	4	6FY (EW7A)	CL138	114
	2.0	05.04 -	100	1997	4	RFN (EW10J4)	CL112	105
	2.0 16V	09.05 -	103	1997	4	RFJ (EW10A)	CL138	114
	2.2	05.04 -	116	2230	4	3FZ (EW12J4)	CL133	113
	3.0	05.04 -	155	2946	6	XFV (ES9A)	CL135	113
605 (6B)	2.0	06.89 - 09.90	89	1998	4	RFZ (XU10J2Z)	CL109	104
	2.0	10.90 - 09.99	89	1998	4	RFZ (XU10J2Z)	CL107	103
	2.0	02.90 - 09.99	79	1998	4		CL129	112
	2.0 16V	07.94 - 05.99	97	1998	4	RFV (XU10J4R)	CL113	106
	2.0 16V	09.97 - 09.99	97	1998	4	RFV (XU10J4R)	CL115	107
	2.0 Turbo	07.91 - 09.99	108	1998	4	RGX (XU10J2TE)	CL107	103
	2.0 Turbo	07.92 - 09.99	104	1998	4	RGY (XU10J2TE)	CL107	103
	3.0 V6	04.97 - 09.99	140	2946	6	ES 9 J4	CL140	115

CAR	MODEL	YEAR	KW	CCM	CYL	MOTOR	COIL TYPE	PAGE
PEUGEOT								
607 (9D, 9U)	2.0	02.00 -	100	1997	4	RFN (EW10J4)	CL112	105
	2.2 16V	02.00 -	116	2230	4	3FZ (EW12J4)	CL133	113
							CL139	114
3.0 V6 24V	02.00 -	152	2946	6	XFJ (ES9J4S)	CL135	113	
806 (221)	1.8	07.95 - 08.02	73	1761	4	LFW (XU7JP)	CL107	103
	2.0	06.94 - 08.02	89	1998	4	RFU (XU10J2)	CL107	103
	2.0 16V	05.98 - 09.00	97	1998	4	RFV (XU10J4R)	CL115	107
	2.0 16V	09.00 - 08.02	100	1997	4	RFN (EW10J4)	CL112	105
	2.0 Turbo	06.94 - 08.02	108	1998	4	RGX (XU10J2TE)	CL107	103
807 (E)	2.0	06.02 -	100	1997	4	RFN (EW10J4)	CL112	105
	2.0 16V	09.05 -	103	1997	4	RFJ (EW10A)	CL138	114
	2.2	06.02 -	116	2230	4	3FZ (EW12J4)	CL133	113
							CL139	114
3.0 V6	06.02 -	150	2946	6	XFJ (ES9J4S)	CL135	113	
Boxer Bus (230P)	2.0 i	03.94 - 04.02	80	1998	4	RFW (XU10J2)	CL107	103
	2.0 i 4x4	08.96 - 04.02	80	1998	4	RFW (XU10J2)	CL107	103
Boxer Bus (244, Z_)	2.0	04.02 -	81	1998	4	RFL (XU10J2U)	CL107	103
Boxer Flatbed (ZCT_)	2.0 i	06.94 - 04.02	80	1998	4	RFW (XU10J2)	CL107	103
Boxer Van (230L)	2.0 i	06.94 - 04.02	80	1998	4	RFW (XU10J2)	CL107	103
Boxer Van (244)	2.0	04.02 -	81	1998	4	RFL (XU10J2U)	CL107	103
Expert (224)	2.0	07.00 -	100	1997	4	RFN (EW10J4)	CL112	105
Expert Tepee (VF3V_)	2.0 16V	01.07 -	103	1997	4	RFJ (EW10A)/RFH (EW10A)	CL138	114
Expert Van (222)	2.0	09.02 -	100	1997	4	RFN (EW10J4)	CL112	105
Partner CombiSpace (5F)	1.1	06.96 -	44	1124	4	HDZ (TU1M)/HFX (TU1JP)	CL107	103
	1.4	06.96 - 11.02	55	1360	4	KFX (TU3JP)/TU32/KFW (TU3JP)	CL107	103
	1.4	09.00 -	55	1360	4	KFX (TU3JP)/TU32/KFW (TU3JP)	CL111	105
	1.4	09.05 -	55	1360	4	KFX (TU3JP)/TU32/KFW (TU3JP)	CL120	109
	1.6 16V	07.01 -	80	1587	4	NFU (TU5JP4)	CL104	102
	1.8	05.97 -	66	1761	4	LFJ (XU7JB)	CL107	103
Partner Van (5)	1.1	06.96 -	44	1124	4	HDZ (TU1M)	CL107	103
	1.4	06.96 -	55	1360	4	KFX (TU3JP)/TU32	CL107	103
PORSCHE								
911 Cabrio (996)	3.6 Carrera	10.01 - 08.05	235	3596	6	M 96.03	CL702	162
	3.6 Carrera 4	10.01 - 08.05	235	3596	6	M 96.03	CL702	162
959	2.8	01.86 - 04.91	330	2850	6	959.50	CL612	159
Cayenne (955)	3.2	10.03 -	184	3189	6	M02.2Y	CL016	97
PROTON								
Gen 2 (CM_)	1.3	06.04 -	70	1332	4		CL302	126
	1.6	06.04 -	82	1597	4	S4PH	CL302	126
Wira	1.3	08.00 -	55	1298	4	4 G 13	CL302	126
	1.5	08.00 -	64	1468	4	4 G 15	CL302	126
Wira Hatchback	1.3	08.00 -	55	1298	4	4 G 13	CL302	126
	1.5	08.00 -	64	1468	4	4 G 15 M	CL302	126
RENAULT								
11 (B/C37_)	1.2	10.84 - 12.88	40	1237	4	C1G 700/C1G 710	CL146	115
	1.4	03.83 - 12.88	44	1397	4	C1J 715/C2J 730	CL118	108
							CL146	115
	1.4	03.83 - 12.88	49	1397	4	C2J 766/C2J 720/C2J 768/C2J 767	CL118	108
							CL146	115
	1.4	03.83 - 12.85	50	1397	4	C2J 757/C2J 718	CL118	108
							CL146	115
	1.4	05.83 - 12.85	53	1397	4	C2J 717/C2J 755	CL118	108
							CL146	115
	1.4 Turbo	04.84 - 12.86	77	1397	4	C1J 764/C1J 760	CL118	108
							CL146	115
	1.4 Turbo	10.86 - 12.88	85	1397	4	C1J 770/C1J 782	CL118	108
CL146							115	
1.7	10.86 - 12.88	54	1721	4	F2N 730	CL118	108	
						CL146	115	

CAR	MODEL	YEAR	KW	CCM	CYL	MOTOR	COIL TYPE	PAGE
RENAULT								
11 (B/C37_)	1.7	10.84 - 12.88	55	1721	4	F3N 718	CL118	108
							CL146	115
	1.7	10.83 - 12.87	59	1721	4	F2N 704/F2N 700	CL118	108
							CL146	115
	1.7	06.87 - 12.88	64	1721	4	F2N 732/F2N 742	CL118	108
							CL146	115
1.7	10.86 - 12.88	65	1721	4	F2N 798/F2N 710/F2N 708	CL118	108	
						CL146	115	
1.7	06.87 - 12.88	69	1721	4	F3N 708	CL118	108	
						CL146	115	
18 (134_)	1.4	04.78 - 07.86	47	1397	4	847 720/847 722	CL146	115
	1.6	04.78 - 09.82	58	1647	4	841 725/841 726	CL146	115
	1.6	04.82 - 07.86	54	1647	4	841 717/A2M 723	CL146	115
	1.6 TS	05.82 - 07.86	71	1647	4	A6M 725/A6M 726	CL146	115
	1.6 Turbo	10.80 - 09.82	80	1565	4	807 727	CL146	115
	1.6 Turbo	10.82 - 07.86	92	1565	4	A5L 718/A5L 717	CL146	115
	2.0	05.82 - 07.86	77	1995	4	J6R 716	CL146	115
	2.2 i	06.84 - 07.86	76	2165	4		CL118	108
18 Variable (135_)	1.4	05.79 - 07.86	47	1397	4	847 720/847 722	CL146	115
	1.6	05.79 - 09.82	58	1647	4	841 725/841 726	CL146	115
	1.6	01.82 - 07.86	54	1647	4	841 717/A2M 723	CL146	115
	1.6 4x4	02.79 - 06.81	58	1647	4	841 725	CL146	115
	1.6 4x4	01.83 - 07.86	54	1647	4	841 717/A2M 723	CL146	115
	1.6 TS	05.82 - 07.86	71	1647	4	A6M 725/A6M 726	CL146	115
	1.6 Turbo	10.82 - 07.86	92	1565	4	A5L 718/A5L 717	CL146	115
	2.0	10.81 - 07.86	77	1995	4	J6R 716	CL146	115
	2.0 Allrad 4x4	05.83 - 12.86	76	1995	4	J6R 714/J6R 716	CL146	115
	19 I (B/C53_)	1.4	01.88 - 12.92	59	1390	4	E6J 701/E6J 700	CL118
1.4		01.89 - 12.89	43	1397	4	C2J 772	CL118	108
1.4 cat		01.89 - 04.92	43	1397	4	C3J 710	CL118	108
1.7		09.88 - 04.92	54	1721	4	F3N 741/F3N 740	CL118	108
1.7		09.88 - 04.92	66	1721	4	F3N 743/F3N 742	CL118	108
1.8 16V		06.89 - 04.92	99	1764	4	F7P 704	CL118	108
1.8 16V		07.88 - 04.92	43	1397	4	C3J 710/C2J 772	CL118	108
19 I Chamade (L53_)	1.7	07.88 - 04.92	66	1721	4	F3N 743/F3N 742	CL118	108
	1.7	08.88 - 12.92	79	1721	4	F3N 746	CL118	108
	1.8 16V	10.89 - 04.92	99	1764	4	F7P 704	CL118	108
	1.8 16V	07.88 - 04.92	43	1397	4	C3J 710/C2J 772	CL118	108
19 II (B/C53_)	1.4	01.92 - 12.95	59	1390	4	E7J 706/E6J 700	CL118	108
	1.4	04.92 - 12.95	43	1397	4	C3J 710	CL118	108
	1.8	05.94 - 12.95	79	1794	4	F3P 765/F3P 682	CL122	110
19 II Chamade (L53_)	1.4	04.92 - 12.95	43	1397	4	C3J 710	CL118	108
	1.4	11.93 - 12.95	55	1390	4	E7J 742	CL118	108
	1.8	05.94 - 12.95	79	1783	4	F3P 682	CL122	110
21 (B48_)	1.7	09.89 - 10.92	54	1721	4	F3N 726	CL118	108
							CL146	115
	1.7	09.89 - 06.94	66	1721	4	F3N 723/F3N 722	CL118	108
	2.0	02.90 - 10.92	99	1995	4	J7R 740	CL118	108
	2.0 4x4	09.90 - 10.92	99	1995	4	J7R 740	CL118	108
	2.2	09.89 - 06.94	79	2165	4	J7T 754/J7T 755	CL118	108
2.2 4x4	07.90 - 06.94	79	2165	4	J7T 754/J7T 755	CL118	108	
21 Combi (K48_)	1.7	06.86 - 12.89	54	1721	4	F2N 750	CL118	108
	1.7	05.88 - 06.93	54	1721	4	F3N 726	CL118	108
							CL146	115
	1.7	06.86 - 03.93	55	1721	4	F2N 712	CL118	108
							CL146	115
	1.7	10.86 - 12.88	65	1721	4	F2N 710	CL118	108
							CL146	115
	1.7	10.89 - 12.93	66	1721	4	F3N 723/F3N 722	CL146	115
	1.7	06.86 - 12.89	69	1721	4	F3N 723/F3N 722	CL118	108
	2.0	06.86 - 12.88	85	1995	4	J7R 750/J7R 751	CL118	108
	2.2	06.86 - 11.93	79	2165	4	J7T 754/J7T 755	CL118	108

CAR	MODEL	YEAR	KW	CCM	CYL	MOTOR	COIL TYPE	PAGE
RENAULT								
21 Combi (K48_)	2.2 4x4	06.86 - 12.93	79	2165	4	J7T 754/J7T 755	CL118	108
21 Sedan (L48_)	1.7	07.86 - 02.94	54	1721	4	F3N 726 /F2N 750	CL118	108
							CL146	115
	1.7	03.86 - 12.87	55	1721	4	F2N 712	CL118	108
							CL146	115
	1.7	03.86 - 03.93	65	1721	4	F2N 710	CL118	108
							CL146	115
	1.7	06.87 - 04.89	64	1721	4	F2N 752	CL118	108
	1.7	09.89 - 02.94	66	1721	4	F3N 723/F3N 722	CL118	108
	1.7	03.86 - 02.94	69	1721	4	F3N 723/F3N 722	CL118	108
	2.0	03.86 - 12.88	85	1995	4	J7R 750/J7R 751	CL118	108
	2.0	02.90 - 06.94	99	1995	4	J7R 740	CL118	108
	2.0 4x4	12.89 - 02.94	99	1995	4	J7R 740	CL118	108
	2.0 Turbo	02.90 - 10.92	119	1995	4	J7R 756	CL124	111
							CL125	111
	2.0 Turbo 4x4	02.90 - 10.92	119	1995	4	J7R 756	CL124	111
						CL125	111	
2.2	07.86 - 02.94	79	2165	4	J7T 754/J7T 755	CL118	108	
2.2 4x4	07.90 - 02.94	79	2165	4	J7T 754/J7T 755	CL118	108	
25 (B29_)	2.0	04.84 - 12.92	74	1995	4	J6R 763/ -707/ -760/ -706/J6R 762	CL118	108
							CL146	115
	2.0 12V	06.89 - 12.92	99	1995	4	J7R 726	CL118	108
							CL146	115
	2.0 12V	06.88 - 12.93	103	1995	4	J7R 721/J7R 720	CL118	108
	2.2	11.85 - 03.89	76	2165	4		CL118	108
	2.4 V6 Turbo	10.84 - 05.90	133	2458	6	Z7U 702	CL118	108
	2.8 V6	06.87 - 02.90	115	2849	6	Z7W 700	CL118	108
	2.8 V6 Injection	06.87 - 12.92	110	2849	6	Z7W 706/Z7W 707/Z7W 709	CL118	108
9 (L42_)	1.2	09.85 - 12.88	40	1237	4	C1G 700/C1G 710	CL146	115
	1.4	09.81 - 12.85	53	1397	4	C2J 717/C2J 755	CL146	115
	1.4	12.81 - 12.88	44	1397	4	C1J 715/C1J 792/C2J 730/C1J 796	CL146	115
	1.4	09.85 - 12.88	49	1397	4	C2J 766/C2J 720/C2J 768/C2J 767	CL146	115
	1.4 Automatik	09.81 - 12.85	50	1397	4	C2J 757/C2J 718	CL146	115
	1.4 Turbo	04.84 - 12.86	77	1397	4	C1J 764/C1J 760	CL146	115
	1.4 Turbo	12.86 - 12.89	85	1397	4	C1J 764/C1J 760	CL146	115
	1.7	10.86 - 12.88	54	1721	4	F3N 718	CL118	108
							CL146	115
	1.7	10.86 - 12.88	55	1721	4	F2N 730	CL118	108
							CL146	115
	1.7	09.84 - 12.88	59	1721	4	F2N 704/F2N 700	CL146	115
	1.7	10.86 - 12.88	65	1721	4	F2N 798/F2N 710/F2N 708	CL118	108
							CL146	115
	1.7	06.87 - 12.88	69	1721	4	F3N 708	CL118	108
							CL146	115
Avantime (DE0_)	2.0 16V Turbo	11.01 - 05.03	120	1998	4	F4R 760/F4R 761	CL100	100
	3.0 V6	09.01 - 05.03	152	2946	6	L7X 720/L7X 721	CL135	113
Clio I (B/C57_, 5/357_)	1.2	05.90 - 09.98	43	1171	4	E7F 750/E7F 700/E7F 708	CL118	108
	1.2	01.91 - 01.96	40	1171	4	E7F 706	CL118	108
	1.2	01.96 - 12.96	40	1239	4	C3G 720	CL122	110
	1.2	01.96 - 09.98	40	1149	4	D7F 730	CL131	112
	1.2	01.96 - 09.98	43	1149	4	D7F 730	CL131	112
	1.4	01.91 - 09.98	59	1390	4	E7J 710 /E7J 711	CL118	108
	1.8	01.91 - 09.98	65	1794	4	F3P 710 /F3P 714	CL118	108
	1.8	08.94 - 09.98	66	1794	4	F3P 755 /F3P 754	CL118	108
	1.8 Rsi	01.93 - 08.95	80	1794	4	F3P 712	CL118	108
	1.8 Rsi	08.95 - 09.98	79	1783	4	F3P 758	CL118	108
	2.0 Williams	01.94 - 09.98	108	1998	4	F7R 700	CL118	108
Clio II (BB0/1/2_, CB0/1/2_)	1.2	09.98 -	43	1149	4	D7F 710/D7F 766/D7F 720/D7F 726	CL116	107
							CL131	112
	1.2 16V	06.01 -	55	1149	4	D4F 714/D4F 712/D4F 722	CL134	113

CAR	MODEL	YEAR	KW	CCM	CYL	MOTOR	COIL TYPE	PAGE
RENAULT								
Clio II (BB0/1/2_, CB0/1/2_)	1.2 16V	06.01 - 06.04	55	1149	4	D4F 714/D4F 712/D4F 722	CL130	112
	1.2 16V	06.07 -	55	1149	4	D4F 714/D4F 712/D4F 722	CL149	116
	1.4	09.98 - 05.05	55	1390	4	E7J 780	CL102	101
							CL128	112
	1.4 16V	10.99 - 08.00	70	1390	4	K4J 712/K4J 713	CL100	100
	1.4 16V	08.00 -	72	1390	4	K4J 712/ - 711/ - 710/K4J 713/K4J 700	CL100	100
	1.6	09.98 - 05.05	66	1598	4	K7M 744/K7M 745	CL102	101
							CL128	112
	1.6 16V	09.98 -	79	1598	4	K4M 748/K4M 744/K4M 708/K4M 745	CL100	100
	2.0 16V Sport	02.00 -	124	1998	4	F4R 730	CL131	112
3.0 V6 Sport	12.02 -	187	2946	6	L7X 762	CL135	113	
Clio II Van (SB0/1/2_)	1.1	09.98 -	43	1149	4	D7F 722/D7F 720	CL131	112
Clio III (BR0/1, CR0/1)	1.2 16V	06.05 -	48	1149	4	D4F 740	CL134	113
	1.2 16V	06.07 -	48	1149	4	D4F 740	CL149	116
	1.2 16V	06.05 -	55	1149	4	D4F 740	CL134	113
	1.2 16V	06.07 -	55	1149	4	D4F 740	CL149	116
	1.2 16V	06.05 -	58	1149	4	D4F 764	CL134	113
	1.2 16V	06.07 -	58	1149	4	D4F 764	CL149	116
	1.2 16V Hi-Flex	07.08 -	55	1149	4	D4F 740	CL149	116
	1.2 16V Hi-Flex	07.08 -	55	1149	4	D4F 740	CL149	116
Clio Grandtour (KR0/1_)	1.2 16V Hi-Flex	07.08 -	55	1149	4	D4F 740	CL149	116
Espace I (J11_)	2.0	01.88 - 12.90	74	1995	4	J6R 734	CL118	108
	2.0	09.84 - 12.87	80	1995	4	J6R 234/J6R 236	CL118	108
							CL146	115
	2.0 i	01.89 - 12.90	87	1995	4	J7R 760	CL118	108
							CL146	115
	2.0 i Quadra	03.88 - 12.92	87	1995	4	J7R 760	CL118	108
							CL146	115
	2.2	07.86 - 12.90	79	2165	4	J7T 770	CL118	108
2.2 Quadra	01.88 - 12.90	79	2165	4	J7T 770	CL118	108	
Espace II (J/S63_)	2.0	01.91 - 10.96	76	1995	4	J7R 768	CL118	108
	2.2	01.91 - 10.96	79	2165	4	J7T 772/J7T 776/J7T 773	CL118	108
	2.2 4x4	03.91 - 12.96	79	2165	4	J7T 772/J7T 773	CL118	108
	2.8 V6	01.91 - 10.96	110	2849	6	Z7W 717/Z7W 712/Z7W 713	CL118	108
Espace III (JE0_)	2.0	11.96 - 04.97	84	1998	4	F3R 769/ - 728/ - 742/ - 729/F3R 768	CL124	111
	2.0	04.97 - 10.00	84	1998	4	F3R 769/ - 728/ - 742/ - 729/F3R 768	CL123	111
	2.0	09.01 - 10.02	102	1998	4	F4R 701/F4R 700	CL100	100
	2.0 16V	10.98 - 10.02	103	1998	4	F4R 701/F4R 700	CL100	100
	3.0	11.96 - 10.98	123	2963	6	Z7X 775	CL124	111
							CL125	111
						CL126	111	
Espace IV (JK0/1_)	2.0	11.02 -	100	1998	4	F4R 790/F4R 792/F4R 791	CL100	100
	2.0 Turbo	11.02 -	120	1998	4	F4R 795/F4R 794/F4R 797	CL100	100
Fuego (136_)	2.0 TX/GTX	10.80 - 10.85	81	1995	4	J6R 713/ - 726/ - 715/ - 710/ - 712/ 829 710	CL146	115
Grand Scénic II (JM0/1_)	1.6	04.04 -	83	1598	4	K4M 761/K4M 782	CL100	100
	2.0	04.04 -	99	1998	4	F4R 771/F4R 770	CL100	100
	2.0	04.04 -	120	1998	4	F4R 776	CL100	100
Kangoo (KC0/1_)	1.2	08.97 -	43	1149	4	D7F 710/ 744/ 722/ 720/ 726/ 746	CL116	107
	1.2	03.03 -	43	1149	4	D7F 710/ 744/ 722/ 720/ 726/ 746	CL131	112
	1.2 16V	06.01 -	55	1149	4	D4F 714/D4F 716/D4F 712	CL134	113
	1.2 16V	06.01 - 06.04	55	1149	4	D4F 714/D4F 716/D4F 712	CL130	112
	1.2 16V	06.07 -	55	1149	4	D4F 714/D4F 716/D4F 712	CL149	116
	1.4	08.97 -	55	1390	4	E7J 634/ - 780 /K7J 701/ - 700	CL102	101
							CL128	112
	1.6 16V	06.01 -	70	1598	4	K4M 750/K4M 753/K4M 752	CL100	100
	1.6 16V 4x4	10.01 -	70	1598	4	K4M 750/K4M 753/K4M 752	CL100	100
Kangoo Express (FC0/1_)	1.2	08.97 -	43	1149	4	D7F 710/ 744/ 722/ 720/ 726/ 746	CL116	107
	1.2	03.03 -	43	1149	4	D7F 710/ 744/ 722/ 720/ 726/ 746	CL131	112
	1.2 16V	10.01 -	55	1149	4	D4F 714/D4F 712	CL134	113
	1.2 16V	10.01 - 06.04	55	1149	4	D4F 714/D4F 712	CL130	112
	1.2 16V	06.07 -	55	1149	4	D4F 714/D4F 712	CL149	116
	1.2 16V	06.07 -	55	1149	4	D4F 714/D4F 712	CL149	116

CAR	MODEL	YEAR	KW	ccm	CYL	MOTOR	COIL TYPE	PAGE
RENAULT								
Kangoo Express (FC0/1_)	1.4	08.97 -	55	1390	4	E7J 634/K7J 701/E7J 635/E7J 780	CL102	101
							CL128	112
	1.6 16V	10.01 -	70	1598	4	K4M 752	CL100	100
	1.6 16V 4x4	10.01 -	70	1598	4	K4M 750/K4M 753/K4M 752	CL100	100
Laguna (B56_, 556_)	1.6 16V	11.97 - 03.01	79	1598	4	K4M 720/K4M 724	CL100	100
	1.8	08.95 - 03.01	66	1783	4	F3P 678/F3P 670	CL124	111
	1.8	04.97 - 03.01	66	1783	4	F3P 678/F3P 670	CL123	111
	2.0	11.93 - 03.01	83	1998	4	F3R 722/F3R 723	CL118	108
	2.0 16V	06.95 - 03.01	102	1948	4	N7Q 700/N7Q 704	CL136	114
							CL137	114
	3.0	11.93 - 03.01	123	2963	6	Z7X 765/Z7X 760	CL124	111
						CL125	111	
						CL126	111	
Laguna Grandtour (K56_)	1.6 16V	11.97 - 03.01	79	1598	4	K4M 720/K4M 724	CL100	100
	1.8	09.95 - 03.01	66	1783	4	F3P 678/F3P 670	CL124	111
	1.8	04.97 - 03.01	66	1783	4	F3P 678/F3P 670	CL123	111
	2.0	09.95 - 03.01	83	1998	4	F3R 722/F3R 723	CL118	108
	2.0 16V	09.95 - 03.01	102	1948	4	N7Q 700/N7Q 704	CL136	114
							CL137	114
	3.0	02.96 - 03.01	123	2963	6	Z7X 765	CL124	111
						CL125	111	
						CL126	111	
Laguna II (BG0/1_)	1.6 16V	03.01 -	79	1598	4	K4M 711/K4M 714/K4M 710	CL100	100
	1.8 16V	03.01 -	89	1783	4	F4P 774/F4P 770	CL100	100
	2.0 16V	08.02 -	99	1998	4	F4R 713/F4R 715/F4R 712/F4R 714	CL100	100
	3.0V6 24V	03.01 -	152	2946	6	L7X 731	CL135	113
Laguna II Grandtour (KG0/1_)	1.6 16V	03.01 -	79	1598	4	K4M 711/K4M 714/K4M 710	CL100	100
	1.8 16V	03.01 -	85	1783	4	F4P 774/F4P 773/F4P 771	CL100	100
	1.8 16V	03.01 -	89	1783	4	F4P 774/F4P 770	CL100	100
	2.0 16V	08.02 -	99	1998	4	F4R 713/F4R 715/F4R 712/F4R 714	CL100	100
	2.0 16V Turbo	01.03 -	120	1998	4	F4R 764/F4R 787/F4R 786/F4R 765	CL100	100
	3.0V6 24V	03.01 -	152	2946	6	L7X 731	CL135	113
Master 28-35 I Bus (T_)	2.0	10.86 - 07.98	58	1995	4	J5R 718	CL118	108
							CL146	115
Master 28-35 I Van (T_)	2.0	10.86 - 07.98	58	1995	4	J5R 718	CL118	108
							CL146	115
Master I Flatbed (P_)	2.0	10.86 - 07.98	58	1995	4	J5R 728	CL146	115
	2.0	11.89 - 07.93	60	1995	4	J5R 718	CL146	115
Megane I (BA0/1_)	1.4 16V	03.99 -	70	1390	4	K4J 714/K4J 750	CL100	100
	1.6 16V	03.99 -	79	1598	4	K4M 704/K4M 700/K4M 708/K4M 701	CL100	100
	1.6 e	01.96 - 03.97	66	1598	4	K7M 702/K7M 703/K7M 790	CL101	101
							CL103	102
	1.6 e	04.97 - 03.99	66	1598	4	K7M 702/K7M 703/K7M 790	CL102	101
							CL128	112
	1.6 e	01.96 - 03.99	66	1598	4	K7M 702/K7M 703/K7M 790	CL116	107
	1.6 i	01.96 - 03.97	55	1598	4	K7M 720	CL101	101
							CL103	102
	1.6 i	04.97 - 03.99	55	1598	4	K7M 720	CL102	101
							CL128	112
	1.8 16V	01.01 -	85	1783	4	F4P 722/F4P 720	CL100	100
	2.0 16V	07.96 -	108	1998	4	F7R 710/F7R 714	CL123	111
	2.0 i	03.99 -	80	1998	4	F3R 751/F3R 750	CL123	111
2.0 i	01.96 - 03.97	84	1998	4	F3R 751/F3R 750	CL124	111	
2.0 i	03.97 - 02.99	84	1998	4	F3R 751/F3R 750	CL123	111	
Megane I Cabrio (EA0/1_)	1.4 16V	03.99 -	70	1390	4	K4J 714/K4J 750	CL100	100
	1.6 16V	03.99 -	79	1598	4	K4M 700/K4M 708/K4M 701	CL100	100
	1.6 e	10.96 - 03.97	66	1598	4	K7M 702/K7M 703	CL101	101
							CL103	102
	1.6 e	04.97 - 03.99	66	1598	4	K7M 702/K7M 703	CL102	101
						CL128	112	

CAR	MODEL	YEAR	KW	ccm	CYL	MOTOR	COIL TYPE	PAGE	
RENAULT									
Megane I Cabrio (EA0/1_)	1.6 e	10.96 - 03.99	66	1598	4	K7M 702/K7M 703	CL116	107	
	2.0 16V IDE	11.99 -	103	1998	4	F5R 740	CL116	107	
	2.0 i	03.99 -	80	1998	4	F3R 791/F3R 796	CL123 CL124	111 111	
Megane I Classic (LA0/1_)	1.6 16V	03.99 -	79	1598	4	K4M 700/K4M 708/K4M 701	CL100	100	
	1.6 e	09.96 - 03.97	66	1598	4	K7M 702/K7M 703/K7M 790	CL101 CL103	101 102	
	1.6 e	04.97 - 03.99	66	1598	4	K7M 702/K7M 703/K7M 790	CL102 CL128	101 112	
	1.6 e	09.96 - 03.99	66	1598	4	K7M 702/K7M 703/K7M 790	CL116	107	
	1.6 i	03.97 - 03.99	55	1598	4	K7M 720	CL101 CL103	101 102	
	1.8 16V	01.01 -	85	1783	4	F4P 722/F4P 720	CL100	100	
	2.0 i	04.97 -	84	1998	4	F3R 751/F3R 750	CL124	111	
	2.0 i	09.98 -	84	1998	4	F3R 751/F3R 750	CL123	111	
	Megane I Coach (DA0/1_)	1.4 16V	03.99 - 08.03	70	1390	4	K4J 714/K4J 750	CL100	100
1.6 16V		03.99 - 08.03	79	1598	4	K4M 700/K4M 708/K4M 701	CL100	100	
1.6 e		03.96 - 03.97	66	1598	4	K7M 702/K7M 703	CL101 CL103	101 102	
1.6 e		04.97 - 03.99	66	1598	4	K7M 702/K7M 703	CL102 CL128	101 112	
1.6 e		03.96 - 03.99	66	1598	4	K7M 702/K7M 703	CL116	107	
2.0 16V		01.02 - 08.03	102	1998	4		CL100	100	
2.0 16V IDE		11.99 - 08.03	103	1998	4	F5R 740	CL116	107	
2.0 i		04.97 - 08.03	84	1998	4	F3R 751/F3R 750	CL124	111	
2.0 i		09.98 - 08.03	84	1998	4	F3R 751/F3R 750	CL123	111	
Megane I Grandtour (KA0/1_)		1.4 16V	03.99 -	70	1390	4	K4J 714/K4J 750	CL100	100
		1.4 e	03.99 -	55	1390	4	E7J 626	CL116	107
		1.6 16V	03.99 -	79	1598	4	K4M 704/K4M 700/K4M 708/K4M 701	CL100	100
		1.6 e	03.99 -	66	1598	4	K7M 702/K7M 703	CL116	107
	1.8 16V	01.01 -	85	1783	4	F4P 722/F4P 720	CL100	100	
	Megane II (BM0/1_, CM0/1_)	1.4 16V	11.02 -	72	1390	4	K4J 740/K4J 730	CL100	100
1.6 16V		11.02 -	83	1598	4	K4M 760	CL100	100	
2.0 16V		11.02 -	99	1998	4	F4R 770	CL100	100	
2.0 Sport		05.04 -	165	1998	4	F4R 774/F4Rt 774	CL100	100	
Megane II Combi (KM0/1_)	1.4	08.03 -	72	1390	4	K4J 740/K4J 730	CL100	100	
	1.6	08.03 -	83	1598	4	K4M 760/K4M 761	CL100	100	
	2.0	08.03 -	99	1998	4	F4R 771/F4R 770	CL100	100	
Megane II Coupé-Cabrio (EM0/1_)	1.6	09.03 -	83	1598	4	K4M 760/K4M 761	CL100	100	
	2.0	09.03 -	99	1998	4	F4R 771/F4R 770	CL100	100	
Megane II Sedan (LM0/1_)	1.4	09.03 -	72	1390	4	K4J 740/K4J 730	CL100	100	
	1.6	09.03 -	83	1598	4	K4M 760/K4M 761	CL100	100	
	2.0	09.03 -	99	1998	4	F4R 771/F4R 770	CL100	100	
Megane Scenic (JA0/1_)	1.6 e	01.97 - 03.97	66	1598	4	K7M 702/K7M 703	CL101 CL103	101 102	
	1.6 e	04.97 - 09.99	66	1598	4	K7M 702/K7M 703	CL102 CL128	101 112	
	1.6 e	09.97 - 09.99	66	1598	4	K7M 702/K7M 703	CL116	107	
	1.6 i	01.97 - 03.97	55	1598	4	K7M 720	CL101 CL103	101 102	
	1.6 i	04.97 - 09.99	55	1598	4	K7M 720	CL102 CL128	101 112	
	1.6 i	09.97 - 09.99	55	1598	4	K7M 720	CL116	107	
	2.0 i	01.99 - 09.99	80	1998	4	F3R 796	CL123 CL124	111 111	
	2.0 i	01.97 - 09.99	84	1998	4	F3R 751/F3R 750	CL123 CL124	111 111	
	Modus (F/JPO_)	1.2	05.05 -	48	1149	4	D4F 740	CL134	113
		1.2	12.04 -	55	1149	4	D4F 740	CL134	113
1.2		01.08 -	55	1149	4	D4F 740	CL149	116	

CAR	MODEL	YEAR	KW	CCM	CYL	MOTOR	COIL TYPE	PAGE
RENAULT								
Modus (F/JP0_)	1.2	12.04 -	58	1149	4	D4F 764	CL134	113
	1.2 16V Hi-Flex	10.08 -	55	1149	4	D4F 740	CL149	116
	1.4	12.04 -	72	1390	4	K4J 770	CL100	100
	1.6	12.04 -	65	1598	4	K4M 792/K4M 794	CL100	100
	1.6	12.04 -	82	1598	4	K4M 790/K4M 791	CL100	100
Rapid Box (F40_, G40_)	1.2	09.91 - 03.98	40	1239	4	C3G 712/C3G 710	CL122	110
Rapid Van (F40_, G40_)	1.4	07.85 - 08.91	43	1397	4	C1J 780/C1J 768	CL118	108
	1.4	03.86 - 08.91	44	1397	4	C2J 784	CL118	108
	1.4 cat	08.88 - 03.98	43	1397	4	C3J 762/C3J 700/C3J 702/C3J 760	CL118	108
Safrane II (B54_)	2.0 16V	07.96 - 12.00	100	1948	4	N7Q 710/N7Q 711	CL136	114
							CL137	114
	2.5 20V	07.96 - 12.00	121	2435	5	N7U 700/N7U 701	CL119	109
Scénic I (JA0/1_)	1.4 16V	09.99 - 08.03	70	1390	4	K4J 714/K4J 750	CL100	100
	1.6 16V	09.99 - 08.03	79	1598	4	K4M 704/K4M 700/K4M 708/K4M 701	CL100	100
	1.8 16V	01.01 - 08.03	85	1783	4	F4P 722/F4P 720	CL100	100
	2.0 16V	07.00 - 08.03	102	1998	4	F4R 741/F4R 740	CL100	100
	2.0 16V RX4	06.00 - 08.03	102	1998	4	F4R 744	CL100	100
Scénic II (JM0/1_)	1.4	06.03 -	72	1390	4	K4J 740/K4J 730	CL100	100
	1.6	06.03 -	83	1598	4	K4M 761/K4M 782	CL100	100
	2.0	06.03 -	99	1998	4	F4R 771/F4R 770	CL100	100
Super 5 (B/C40_)	1.4	10.84 - 06.88	43	1397	4	C1J 780/C1J 768	CL118	108
							CL146	115
	1.4	06.87 - 08.90	44	1397	4	C2J 784	CL118	108
	1.4	10.84 - 07.89	52	1397	4	C2J 789/ 700/ 780/ 781/ 788/ 798	CL118	108
	1.4 cat	10.85 - 12.96	43	1397	4	C3J 700/C3J 702/C3J 760	CL118	108
	1.4 Turbo	04.85 - 08.90	88	1397	4	C1J 784/C1J 782/C1J 788	CL118	108
	1.7	06.87 - 07.89	49	1397	4	C2J 782	CL118	108
	1.7	10.86 - 03.95	54	1721	4	F3N 716 /F3N 717	CL118	108
	1.7	06.87 - 03.95	64	1721	4	F2N 742/F2N 740	CL118	108
	1.7 i (C409)	10.86 - 08.91	69	1721	4	F3N 722/F3N 702	CL118	108
Thalia (LB0/1/2)	1.2 16V	04.02 -	55	1149	4	D4F 712	CL134	113
	1.4 16V	08.00 -	72	1390	4	K4J 712	CL100	100
Trafic Bus (T5, T6, T7)	1.7	06.86 - 04.89	50	1721	4	F1N 724	CL118	108
	2.0	06.86 - 04.89	59	1995	4	J5R 722/J5R 716/J5R 726	CL118	108
							CL146	115
	2.0 4x4	06.86 - 04.89	59	1995	4	J5R 722/J5R 716/J5R 726	CL118	108
							CL146	115
Trafic Bus (TXW)	1.7	08.92 - 08.94	50	1721	4	F1N 724	CL118	108
	2.0	05.89 - 08.90	59	1995	4	J5R 726	CL118	108
	2.2	05.89 - 06.94	70	2165	4	J7T 780	CL118	108
	2.2 4x4	05.89 - 06.94	70	2165	4	J7T 780	CL118	108
Trafic Flatbed (P6)	1.7	06.86 - 04.89	50	1721	4	F1N 722	CL118	108
	2.0	03.80 - 04.89	59	1995	4	J5R 726	CL118	108
	2.0	03.80 - 12.86	63	1995	4	829 721/829 720	CL146	115
	2.0 4x4	05.85 - 02.89	60	1995	4	J5R 716	CL146	115
Trafic Flatbed (PXX)	1.7	05.89 - 08.94	50	1721	4	F1N 722	CL118	108
	2.0 RWD	05.89 - 10.97	59	1995	4	J5R 726	CL118	108
Trafic Van (T1, T3, T4)	1.7	06.86 - 04.89	50	1721	4	F1N 724	CL118	108
	2.0	06.86 - 04.89	59	1995	4	J5R 722/J5R 716/J5R 726	CL118	108
							CL146	115
	2.0 4x4	06.86 - 04.89	59	1995	4	J5R 722/J5R 716/J5R 726	CL118	108
							CL146	115
Trafic Van (TXX)	1.7	08.92 - 08.94	50	1721	4	F1N 720	CL118	108
	2.0	05.89 - 08.90	59	1995	4	J5R 716	CL118	108
	2.2	05.89 - 06.94	70	2165	4	J7T 780	CL118	108
	2.2 4x4	05.89 - 06.94	70	2165	4	J7T 780	CL118	108
Trafic II Bus (JL)	2.0	03.01 -	88	1998	4	F4R 722/F4R 720	CL100	100
Trafic II Van (FL)	2.0	03.01 -	88	1998	4	F4R 722/F4R 720	CL100	100
Twingo (C06_)	1.2	03.93 - 10.96	40	1239	4	C3G 702/C3G 700	CL122	110
	1.2	05.96 - 10.98	40	1149	4	D7F 700/D7F 701	CL131	112

CAR	MODEL	YEAR	KW	CCM	CYL	MOTOR	COIL TYPE	PAGE
RENAULT								
Twingo (C06_)	1.2	11.98 -	40	1149	4	D7F 700/D7F 701	CL116	107
	1.2	05.96 - 10.98	43	1149	4	D7F 700/ 702/ 704/ 701/ 703	CL131	112
	1.2	11.98 -	43	1149	4	D7F 700/ 702/ 704/ 701/ 703	CL116	107
	1.2 16V	01.01 -	55	1149	4	D4F 704/D4F 702	CL130	112
	1.2 16V	08.04 -	44	1149	4	D4F 708	CL149	116
Twingo (CNO_)	1.2 16V	03.07 -	56	1149	4	D4F 772	CL149	116
Vel Satis (BJO_)	2.0 16V Turbo	04.04 -	125	1998	4	F4R 766/F4R 767	CL100	100
	2.0 16V Turbo	06.02 -	120	1998	4	F4R 762/F4R 763	CL100	100
ROVER								
214 i (RF)	1.4	11.95 - 03.00	55	1396	4	14 K2F	CL700	161
214 Si (RF)	1.4	11.95 - 03.00	76	1396	4	14 K4F	CL700	161
216 Cabrio (XW)	1.6i	01.92 - 11.99	90	1590	4	D 16 A8	CL500	137
	1.6i 16V	01.96 - 11.99	82	1588	4	16 K4F	CL700	161
216 Coupe (XW)	1.6	10.92 - 06.99	90	1590	4	D 16 A8	CL500	137
216 Gsi Hatchback (XW)	1.6	10.89 - 10.95	82	1590	4	D 16 Z2	CL500	137
216 GTi Hatchback (XW)	1.6	09.90 - 10.95	90	1590	4	D 16 A8	CL500	137
216 Si (RF)	1.6	11.95 - 03.00	82	1588	4	16 K4F	CL700	161
400 Tourer (XW)	1.6i	05.94 - 11.98	82	1590	4	D 16 Z2	CL700	161
	1.6i	05.94 - 11.98	90	1590	4	D 16 A8	CL700	161
414 Si (RT)	1.4	05.95 - 03.00	76	1396	4	14 K4F	CL700	161
414 Si Hatchback (RT)	1.4	05.95 - 03.00	76	1396	4	14 K4F	CL700	161
416 GSI (XW)	1.6	04.90 - 04.95	82	1590	4	D 16 Z2	CL500	137
	1.6	04.90 - 04.95	90	1590	4	D 16 A8	CL500	137
416 Si (RT)	1.6	05.95 - 03.00	82	1588	4	16 K4F	CL700	161
	1.6	05.95 - 03.00	83	1590	4	D 16 Y2	CL700	161
416 Si Hatchback (RT)	1.6	05.95 - 03.00	82	1588	4	16 K4F	CL700	161
	1.6	06.95 - 03.00	83	1590	4	D 16 Y2	CL700	161
620 i (RH)	2.0	08.93 - 06.96	85	1997	4	F 20 Z2	CL501	137
620 Si (RH)	2.0	08.93 - 02.99	96	1997	4	F 20 Z1	CL501	137
623 Si (RH)	2.3	08.93 - 02.99	116	2259	4	H 23 A3	CL501	137
75 (RJ)	2.0V6	02.99 -	110	1997	6	20 K4F	CL600	152
	2.0V6	02.99 - 06.04	110	1997	6	20 K4F	CL702	162
	2.5V6	02.99 - 10.01	129	2497	6	KV 6	CL600	152
	2.5V6	10.01 -	130	2497	6	25 K4F	CL702	162
75 Tourer (RJ)	2.0V6	08.01 -	110	1997	6	20 K4F	CL702	162
	2.5V6	08.01 -	130	2497	6	KV 6	CL600	152
	2.5V6	08.01 - 04.05	130	2497	6	KV 6	CL702	162
Coupe	1.6 16V	03.96 - 11.99	82	1588	4	16 K4F	CL700	161
SAAB								
900 II	2.0 16V Turbo	07.93 - 02.98	136	1985	4	B204L	CL208	119
	2.0 i	08.94 - 02.98	96	1985	4	B204I	CL208	119
	2.3 16V	07.93 - 02.98	110	2290	4	B234I	CL208	119
	2.5 24V V6	07.93 - 02.98	125	2498	6	B258I	CL210	121
900 II Cabrio	2.0 16V Turbo	12.93 - 02.98	136	1985	4	B204L	CL208	119
	2.0 i	12.93 - 02.98	96	1985	4	B204I	CL208	119
	2.3 16V	12.93 - 02.98	110	2290	4	B234I	CL208	119
	2.5 24V V6	12.93 - 02.98	125	2498	6	B258I	CL210	121
900 II Coupe	2.0 16V Turbo	12.93 - 02.98	136	1985	4	B204L	CL208	119
	2.0 i	12.93 - 07.94	98	1985	4	B206I	CL208	119
	2.0 i	08.94 - 02.98	96	1985	4	B204I	CL208	119
	2.3 16V	12.93 - 02.98	110	2290	4	B234I	CL208	119
	2.5 24V V6	12.93 - 02.98	125	2498	6	B258I	CL210	121
	2.0 i	02.98 - 09.02	96	1985	4	B204I	CL208	119
9-3 (YS3D)							CL705	162
	2.0 SE Turbo	02.98 - 09.02	147	1985	4	B204R	CL208	119
							CL705	162
	2.0 Turbo	02.98 - 09.02	136	1985	4	B205L/B204L	CL208	119
	2.0 Turbo	10.98 - 09.02	113	1985	4	B204E	CL208	119
							CL705	162
	2.0 Turbo	10.99 - 09.02	151	1985	4	B205R	CL208	119

CAR	MODEL	YEAR	kW	ccm	CYL	MOTOR	COIL TYPE	PAGE
SAAB								
9-3 (YS3D)	2.0 Turbo	01.01 - 09.02	110	1985	4	B205E	CL705	162
	2.3 i	02.98 - 09.02	110	2290	4	B234I	CL208	119
							CL705	162
	2.3 Turbo	10.98 - 09.02	165	2290	4	B235R	CL208	119
CL705							162	
9-3 Cabrio (YS3D)	2.0 i	02.98 - 08.03	96	1985	4	B204I	CL208	119
							CL705	162
	2.0 SE Turbo	02.98 - 08.03	147	1985	4	B204R	CL208	119
							CL705	162
	2.0 Turbo	02.98 - 08.03	136	1985	4	B205L/B204L	CL208	119
							CL705	162
	2.0 Turbo	10.98 - 08.03	113	1985	4	B204E	CL208	119
							CL705	162
	2.0 Turbo	10.99 - 08.03	151	1985	4	B205R	CL208	119
							CL705	162
2.0 Turbo	01.01 - 08.03	110	1985	4	B205E	CL705	162	
						CL208	119	
2.3 i	02.98 - 08.03	110	2290	4	B234I	CL208	119	
						CL705	162	
2.3 Turbo	10.99 - 08.03	165	2290	4	B235R	CL705	162	
						CL208	119	
9-3 (YS3F)	1.8 i	01.04 -	90	1796	4	Z18XE	CL203	117
9-3 Combi	1.8 i	03.05 -	90	1796	4	Z18XE	CL203	117
9-5 (YS3E)	2.0	07.00 -	136	1985	4	B205L	CL705	162
	2.0T	09.97 -	110	1985	4	B205E	CL705	162
	2.3T	09.97 -	125	2290	4	B235E	CL705	162
	2.3T	01.01 -	136	2290	4	B235E	CL705	162
	2.3 Turbo	09.01 -	184	2290	4	B235R	CL705	162
9-5 Combi (YS3E)	2.0	07.00 - 07.01	136	1985	4	B205L	CL705	162
	2.0T	10.98 -	110	1985	4	B205E	CL705	162
	2.0T	10.98 -	141	1985	4		CL705	162
	2.3T	10.98 -	125	2290	4	B235E	CL705	162
	2.3T	01.01 -	136	2290	4	B235E	CL705	162
	2.3 Turbo	10.99 - 09.01	169	2290	4	B235R	CL705	162
	2.3 Turbo	09.01 -	184	2290	4	B235R	CL705	162
SEAT								
Alhambra (7V8, 7V9)	1.8T 20V	10.97 -	110	1781	4	AWC/AJH	CL004	93
	2.0 i	04.96 -	85	1984	4	ADY	CL001	89
	2.0 i	04.96 -	85	1984	4	ATM	CL002	90
	2.8V6	06.00 -	150	2792	6	AYL	CL023	99
	2.8V6 4motion	02.01 -	150	2792	6	AYL	CL023	99
Altea (5P1)	1.6	03.04 -	75	1595	4	BGU/BSF/BSE	CL002	90
	2.0 FSI	05.04 -	110	1984	4	BLR/BLY/BVZ/BVY	CL011	95
	2.0 TFSI	04.06 -	147	1984	4	BWA	CL011	95
Arosa (6H)	1.0	05.97 - 06.04	37	999	4	AHT/AER/ALL	CL001	89
	1.0	05.97 - 06.04	37	999	4	ANV/ALD/AUC	CL002	90
	1.4	05.97 - 06.04	44	1390	4	AEX/AKV/APQ	CL001	89
	1.4	05.97 - 06.04	44	1390	4	ANW/AKK/AUD	CL002	90
	1.4 16V	01.00 - 06.04	74	1390	4	ANM/AFK/AUB/AQQ	CL002	90
Cordoba (6K2)	1.0	06.99 - 10.02	37	999	4	ANV/ALD/AUC	CL002	90
	1.4	06.99 - 10.02	44	1390	4	ANW/AKK/AUD	CL002	90
	1.4 16V	05.00 - 10.02	55	1390	4	APE/AUA	CL002	90
	1.4 16V	02.00 - 10.02	74	1390	4	AUB/AQQ	CL002	90
	1.6	06.99 - 10.02	55	1598	4	ALM	CL001	89
	1.6	06.99 - 10.02	74	1595	4	AKL/APF/AEH/AUR	CL002	90
Cordoba (6K2/C2)	1.0 i	09.96 - 06.99	37	999	4	AER	CL001	89
	1.4 i	06.94 - 06.99	44	1390	4	AEX/AKV/ABD/APQ	CL001	89
	1.4 i 16V	09.96 - 06.99	74	1390	4	AFH	CL001	89
	1.6 i	02.93 - 06.99	55	1598	4	ABU/ALM/AEE	CL001	89
	1.6 i	05.94 - 06.99	55	1595	4	1F	CL001	89
	1.6 i	07.96 - 06.99	74	1595	4	AFT	CL001	89
	1.8 i	02.93 - 06.99	66	1781	4	ADZ/ABS	CL001	89

CAR	MODEL	YEAR	KW	CCM	CYL	MOTOR	COIL TYPE	PAGE
SEAT								
Cordoba (6K2/C2)	1.8i 16V	10.93 - 08.96	95	1781	4	ADL	CL001	89
							CL019	98
	2.0i	02.93 - 06.99	85	1984	4	2E/AGG	CL001	89
	2.0i 16V	08.96 - 06.99	110	1984	4	ABF	CL001	89
Cordoba (6L2)	1.2	10.02 -	47	1198	3	AZQ/BME	CL003	92
	1.4 16V	09.02 -	55	1390	4	BBY	CL003	92
	1.4 16V	10.02 -	74	1390	4	BBZ	CL003	92
	1.6	04.03 -	74	1598	4	BAH	CL002	90
Cordoba Vario (6K5)	2.0	09.02 -	85	1984	4	AZL/BBX	CL002	90
	1.4	06.99 - 12.02	44	1390	4	ANW/AKK/AUD	CL002	90
	1.4 16V	06.99 - 12.02	55	1390	4	APE	CL002	90
	1.4i	09.96 - 06.99	44	1390	4	AEX/AKV/APQ	CL001	89
	1.6	06.99 - 12.02	55	1598	4	ALM	CL001	89
	1.6	06.99 - 12.02	74	1595	4	AKL/APF/AEH/AUR	CL002	90
Ibiza II (6K1)	1.6i	09.96 - 06.99	55	1598	4	ALM/AEE	CL001	89
	1.6i	09.96 - 06.99	74	1595	4	AFT	CL001	89
	1.0	03.93 - 09.96	33	1043	4	AAU	CL001	89
	1.0i	09.96 - 08.99	37	999	4	AER	CL001	89
	1.3i	03.93 - 08.99	40	1272	4	AAV	CL001	89
	1.4i	09.93 - 08.99	44	1390	4	AEX/AKV/ABD/APQ	CL001	89
	1.4i 16V	09.96 - 08.99	74	1390	4	AFH	CL001	89
	1.6i	03.93 - 08.99	55	1598	4	ABU/ALM/AEE	CL001	89
	1.6i	09.94 - 06.99	55	1595	4	1F	CL001	89
	1.6i	04.96 - 08.99	74	1595	4	AFT	CL001	89
Ibiza III (6K1)	1.8i	03.93 - 08.99	66	1781	4	ADZ/ABS	CL001	89
							CL019	98
	1.8i 16V	11.93 - 08.96	95	1781	4	ADL	CL001	89
	2.0i	03.93 - 08.99	85	1984	4	2E/AGG	CL001	89
	2.0i 16V	08.96 - 08.99	110	1984	4	ABF	CL001	89
	1.0	08.99 - 02.02	37	999	4	ANV/ALD/AUC	CL002	90
	1.4 16V	08.99 - 02.02	74	1390	4	AUB/AQQ	CL002	90
	1.4 16V	05.00 - 02.02	55	1390	4	APE/AUA	CL002	90
Ibiza IV (6L1)	1.6	08.99 - 02.02	55	1598	4	ALM	CL001	89
	1.6	08.99 - 02.02	74	1595	4	AKL/APF/AEH/AUR	CL002	90
	1.8 T 20V Cupra	07.00 - 02.02	115	1781	4	AYP/AQX	CL005	93
	1.2	02.02 - 06.06	47	1198	3	AZQ	CL003	92
	1.4 16V	02.02 - 12.07	55	1390	4	BBY	CL003	92
Inca (6K9)	1.4 16V	02.02 -	74	1390	4	AUB	CL002	90
	1.4 16V	02.02 -	74	1390	4	BBZ	CL003	92
	1.4 16V	04.00 - 06.03	55	1390	4	AUA	CL002	90
Leon (1M1)	1.4i	11.95 - 06.03	44	1390	4	AEX/AKV/APQ/AUD	CL001	89
	1.6i	11.95 - 05.98	55	1595	4	1F	CL001	89
	1.4 16V	11.99 - 06.06	55	1390	4	AHW/AXPAPE	CL002	90
Leon (1P1)	1.4 16V	11.99 - 06.06	55	1390	4	BCA	CL003	92
	1.6	11.99 - 06.06	74	1595	4	AKL/AEH	CL002	90
	1.6 16V	09.00 - 06.06	77	1598	4	AUS	CL002	90
	1.6 16V	09.00 - 06.06	77	1598	4	BCB/AZD	CL003	92
	1.8 20V	11.99 - 06.06	92	1781	4	AGN/APG	CL002	90
	1.8 20V T	11.99 - 06.06	132	1781	4	APP/AUQ	CL005	93
	1.8 20V T 4	11.99 - 06.06	132	1781	4	ARY	CL005	93
	1.8 T Cupra R	02.02 - 06.06	154	1781	4	AMK	CL005	93
	1.8 T Cupra R	07.03 - 06.06	165	1781	4	BAM	CL005	93
	2.0 FSI	07.05 -	110	1984	4	BLR/BLY/BVZ/BVY	CL011	95
Toledo I (1L)	2.0 TFSI	05.05 -	147	1984	4	BWA	CL011	95
	1.6i	05.91 - 12.93	52	1595	4	1F	CL001	89
	1.6i	05.91 - 03.99	54	1595	4	EZ/ABN/1F	CL001	89
	1.6i	01.93 - 03.99	55	1595	4	1F	CL001	89
	1.6i	11.96 - 03.99	74	1595	4	AFT	CL001	89
1.8i	11.93 - 12.96	66	1781	4	ADZ/ABS	CL001	89	

CAR	MODEL	YEAR	KW	CCM	CYL	MOTOR	COIL TYPE	PAGE
SEAT								
Toledo I (1L)	2.0 i	05.91 - 03.99	85	1984	4	2E/AGG	CL001	89
							CL019	98
	2.0 i 16V	11.93 - 03.99	110	1984	4	ABF	CL001	89
							CL019	98
Toledo II (1M2)	1.4 16V	07.99 - 05.06	55	1390	4	AHW/AXP	CL002	90
	1.6	04.99 - 09.00	74	1595	4	AKL/AEH	CL002	90
	1.6 16V	09.00 - 05.06	77	1598	4	AUS	CL002	90
	1.6 16V	09.00 - 05.06	77	1598	4	BCB/AZD	CL003	92
	1.8 20V	04.99 - 05.06	92	1781	4	AGN/APG	CL002	90
	1.8 20VT	05.01 - 05.06	132	1781	4	AUQ	CL005	93
	2.3 V5	04.99 - 05.01	110	2324	5	AGZ	CL020	98
Toledo III (5P2)	1.6	10.04 - 05.09	75	1595	4	BGU/CCSA/BSF/BSE	CL002	90
	2.0 FSI	10.04 -	110	1984	4	BLR/BLY/BVZ/BVY	CL011	95
SKODA								
130 L, GL	1.3	02.85 - 10.91	45	1280	4	742.13	CL012	96
130 GL	1.3	08.87 - 10.91	39	1280	4		CL012	96
130 GL (S135)	1.3	05.88 - 10.91	43	1280	4	135/8	CL012	96
130 G, GL (S136)	1.3	05.88 - 10.91	46	1280	4		CL012	96
130 G Rapid	1.3	08.87 - 10.91	39	1280	4		CL012	96
	1.3	03.85 - 08.88	45	1280	4	742.13	CL012	96
135 GL Rapid	1.3	09.84 - 12.90	43	1280	4	135/8	CL012	96
135 Favorit (781)	1.3	01.90 - 09.94	40	1289	4	781.135E	CL001	89
	1.3	12.91 - 09.94	42	1289	4	781.135	CL001	89
	1.3	05.89 - 09.94	43	1289	4	781.135	CL001	89
	1.3	12.91 - 09.94	43	1289	4	781.135	CL001	89
	1.3	10.90 - 09.94	44	1289	4	781.135	CL001	89
	1.3 carb	01.90 - 09.94	40	1289	4	781.135E	CL012	96
	1.3 carb	12.91 - 09.94	42	1289	4	781.135	CL012	96
	1.3 carb	05.89 - 09.94	43	1289	4	781.135	CL012	96
	1.3 carb	12.91 - 09.94	43	1289	4	781.135	CL012	96
	1.3 carb	10.90 - 09.94	44	1289	4	781.135	CL012	96
135 Forman (785)	1.3	09.91 - 06.95	40	1289	4	781.135E	CL001	89
	1.3 carb	09.91 - 06.95	40	1289	4	781.135E	CL012	96
	1.3 carb	12.91 - 06.95	44	1289	4	781.135	CL012	96
135 Pick-up (787)	1.3	12.92 - 06.97	40	1289	4	135B	CL001	89
	1.3	12.92 - 06.97	42	1289	4	781.135	CL001	89
	1.3 carb	12.92 - 06.97	40	1289	4	135B	CL012	96
	1.3 carb	12.92 - 06.97	42	1289	4	781.135	CL012	96
136 Favorit (781)	1.3	10.90 - 09.94	45	1289	4	136 L	CL001	89
	1.3	01.94 - 09.94	50	1289	4	136B	CL001	89
	1.3 carb	10.90 - 09.94	45	1289	4	136 L	CL012	96
136 Forman (785)	1.3	01.94 - 06.95	50	1289	4	136B	CL001	89
	1.3 carb	08.91 - 06.95	45	1289	4	OHC	CL012	96
136 Pick-up (787)	1.3	12.92 - 06.97	50	1289	4	136B	CL001	89
	1.3 carb	12.92 - 06.97	50	1289	4	136B	CL012	96
Fabia (6Y2)	1.0	12.99 - 08.02	37	996	4	ATY/AQV/ARV	CL007	94
	1.2	01.03 - 03.08	47	1198	3	AZQ/BME	CL003	92
	1.2	08.02 - 03.08	40	1198	3	AWY/BMD	CL009	95
	1.4	08.00 - 08.02	44	1397	4	AZF/AZE	CL007	94
	1.4	08.99 - 03.08	50	1397	4	AME/ATZ/AQW	CL007	94
	1.4 16V	12.99 - 03.08	55	1390	4	AUA	CL002	90
	1.4 16V	12.99 - 03.08	74	1390	4	AUB	CL002	90
	1.4 16V	12.99 - 03.08	55	1390	4	BBY/BKY	CL003	92
	1.4 16V	12.99 - 03.08	74	1390	4	BBZ	CL003	92
2.0	12.99 - 03.08	85	1984	4	AQY/AZL	CL002	90	
Fabia II	1.2	01.07 -	51	1198	3	CEVA/BZG/CGPA	CL003	92
	1.2	12.06 -	44	1198	3	BBM/CHFA	CL009	95
	1.4	01.07 -	63	1390	4	BXW	CL003	92
	1.6	04.07 -	77	1598	4	BTS	CL003	92
Fabia Combi (6Y5)	1.2	01.03 - 12.07	47	1198	3	AZQ/BME	CL003	92

CAR	MODEL	YEAR	kW	ccm	CYL	MOTOR	COIL TYPE	PAGE
SKODA								
Fabia Combi (6Y5)	1.2	07.01 - 12.07	40	1198	3	AWY/BMD	CL009	95
	1.4	04.00 - 12.07	44	1397	4	AZF/AZE	CL007	94
	1.4	04.00 - 12.07	50	1397	4	AME/ATZ/AQW	CL007	94
	1.4 16V	05.00 - 12.07	55	1390	4	AUA	CL002	90
	1.4 16V	04.00 - 12.07	74	1390	4	AUB	CL002	90
	1.4 16V	05.00 - 12.07	55	1390	4	BBY/BKY	CL003	92
	1.4 16V	04.06 - 12.07	59	1390	4	BUD	CL003	92
	1.4 16V	04.00 - 12.07	74	1390	4	BBZ	CL003	92
	2.0	04.00 - 12.07	85	1984	4	AZL	CL002	90
Fabia II Combi	1.2	10.07 -	51	1198	3	CEVA/BZG/CGPA	CL003	92
	1.2	10.07 -	44	1198	3	BBM/CHFA	CL009	95
	1.4	10.07 -	63	1390	4	BXW	CL003	92
	1.6	10.07 -	77	1598	4	BTS	CL003	92
Fabia Praktik	1.2	01.03 -	47	1198	3	AZQ/BME	CL003	92
	1.2	05.03 -	40	1198	3	AWY/BMD	CL009	95
	1.4	04.02 -	50	1397	4	AME/ATZ/AQW	CL007	94
Fabia Sedan (6Y3)	1.2	01.03 - 12.07	47	1198	3	AZQ/BME	CL003	92
	1.2	07.01 - 12.07	40	1198	3	AWY/BMD	CL009	95
	1.4	04.00 - 08.02	44	1397	4	AZF/AZE	CL007	94
	1.4	07.01 - 12.07	50	1397	4	AME/AQW	CL007	94
	1.4 16V	10.99 - 12.07	55	1390	4	AUA	CL002	90
	1.4 16V	12.99 - 12.07	74	1390	4	AUB	CL002	90
	1.4 16V	10.99 - 12.07	55	1390	4	BBY/BKY	CL003	92
	1.4 16V	04.06 - 12.07	59	1390	4	BUD	CL003	92
	1.4 16V	12.99 - 12.07	74	1390	4	BBZ	CL003	92
2.0	12.99 - 12.07	85	1984	4	AZL	CL002	90	
Felicia I (6U1)	1.3	10.94 - 03.98	40	1289	4	135B/AMG	CL001	89
	1.3	10.94 - 03.98	43	1289	4	AMJ/135 L	CL001	89
	1.3	10.94 - 03.98	50	1289	4	136B/AMH	CL001	89
	1.3 carb	10.94 - 03.98	40	1289	4	135B/AMG	CL013	96
	1.3 carb	10.94 - 03.98	43	1289	4	AMJ/135 L	CL013	96
	1.6 LX	08.95 - 03.98	55	1598	4	AEE	CL001	89
	1.6 LX	08.95 - 03.98	55	1598	4	AEE	CL001	89
Felicia I Combi (6U5)	1.3	08.95 - 03.98	43	1289	4	AMJ/135 L	CL001	89
	1.3 carb	08.95 - 03.98	43	1289	4	AMJ/135 L	CL013	96
	1.3 carb LX	08.95 - 03.98	40	1289	4	135B/AMG	CL013	96
	1.3 LX	08.95 - 03.98	40	1289	4	135B/AMG	CL001	89
	1.3 LXI	08.95 - 03.98	50	1289	4	136B/AMH	CL001	89
	1.6 GLX	08.95 - 03.98	55	1598	4	AEE	CL001	89
Felicia I Fun (797)	1.3	06.97 -	40	1289	4	135B/135M	CL001	89
	1.3	10.95 - 04.02	43	1289	4	AMJ	CL001	89
	1.3	06.97 -	50	1289	4	136B/136M	CL001	89
	1.3 carb	06.97 -	40	1289	4	135B/135M	CL013	96
	1.3 carb	10.95 - 04.02	43	1289	4	AMJ	CL013	96
	1.6	06.97 -	55	1598	4	AEE	CL001	89
Felicia II (6U1)	1.3	01.98 - 06.01	40	1289	4	AMG	CL008	95
	1.3	01.98 - 06.01	43	1289	4	AMJ	CL008	95
	1.3	01.98 - 06.01	50	1289	4	AMH	CL008	95
	1.6	01.98 - 06.01	55	1598	4	AEE	CL001	89
Felicia II Combi (6U5)	1.3	01.98 - 06.01	50	1289	4	AMH	CL008	95
	1.6	01.98 - 06.01	55	1598	4	AEE	CL001	89
Octavia (1U2)	1.4	04.99 -	44	1397	4	AMD	CL007	94
	1.4 16V	09.00 -	55	1390	4	AXP/BCA	CL002	90
	1.6	09.96 - 09.00	55	1598	4	AEE	CL001	89
	1.6	02.97 -	74	1595	4	AKL/AEH	CL002	90
	1.6	11.00 -	75	1595	4	AVU/BFQ	CL002	90
	1.8	09.96 -	92	1781	4	AGN	CL002	90
	1.8T	08.97 -	110	1781	4	AGU	CL004	93
	1.8T	08.97 -	110	1781	4	ARX/ARZ/AUM	CL005	93
	1.8T 4x4	05.01 -	110	1781	4	AGU	CL004	93
1.8T 4x4	05.01 -	110	1781	4	ARX/AUM	CL005	93	

CAR	MODEL	YEAR	KW	CCM	CYL	MOTOR	COIL TYPE	PAGE	
SKODA									
Octavia (1U2)	2.0	04.99 -	85	1984	4	APK/AZH/AQY/AEG	CL002	90	
Octavia RS (1U2)	1.8T	05.01 -	132	1781	4	AUQ	CL005	93	
Octavia (1Z3)	1.4	05.04 -	55	1390	4	BCA	CL003	92	
	1.4	06.04 -	59	1390	4	BUD	CL003	92	
	1.6	06.04 -	75	1595	4	BGU/CCSA/BSF/BSE	CL002	90	
	1.6 FSI	02.04 -	85	1598	4	BLF	CL003	92	
	1.8 TSI	06.07 -	118	1798	4	BZB	CL011	95	
	2.0 FSI	11.04 -	110	1984	4	BVX/BLY/BLR/BVZ/BVY	CL011	95	
	2.0 RS	10.05 -	147	1984	4	BWA/CCZA	CL011	95	
	Octavia Combi (1U5)	1.4 16V	08.00 -	55	1390	4	AXP/BCA	CL002	90
Octavia Combi (1U5)	1.6	07.98 -	55	1598	4	AEE	CL001	89	
	1.6	07.98 -	74	1595	4	AKL/AEH	CL002	90	
	1.6	09.00 -	75	1595	4	AVU/BFQ	CL002	90	
	1.8 20V	07.98 -	92	1781	4	AGN	CL002	90	
	1.8T	07.98 -	110	1781	4	AGU	CL004	93	
	1.8T	07.98 -	110	1781	4	ARX/ARZ/AUM	CL005	93	
	1.8T 4x4	05.01 -	110	1781	4	AGU	CL004	93	
	1.8T 4x4	05.01 -	110	1781	4	ARX/AUM	CL005	93	
	2.0	04.99 -	85	1984	4	APK/AZH/AQY/AEG	CL002	90	
	2.0	04.99 -	85	1984	4	AZJ	CL010	95	
	2.0 4x4	05.01 -	85	1984	4	AZH/AQY/AEG	CL002	90	
	2.0 4x4	01.00 -	88	1984	4	ATF	CL002	90	
	2.0 4x4	05.01 -	85	1984	4	AZJ	CL010	95	
	Octavia Combi RS (1U5)	1.8T	08.02 -	132	1781	4	AUQ	CL005	93
	Octavia Combi (1Z5)	1.4	05.06 -	59	1390	4	BUD	CL003	92
		1.6	09.04 -	75	1595	4	BGU/CCSA/BSF/BSE	CL002	90
1.6 FSI		02.04 -	85	1598	4	BLF	CL003	92	
1.8 TSI		06.07 -	118	1798	4	BZB	CL011	95	
2.0 FSI		11.04 -	110	1984	4	BVX/BLY/BLR/BVZ/BVY	CL011	95	
2.0 FSI 4x4		11.04 -	110	1984	4	BVX/BLY/BLX	CL011	95	
2.0 RS		10.05 -	147	1984	4	BWA/CCZA	CL011	95	
Praktik		1.2	03.07 -	51	1198	3	BZG/CGPA	CL003	92
Roomster (5J)	1.4	03.07 -	63	1390	4	BXW	CL003	92	
	1.2	05.06 - 01.07	47	1198	3	BME	CL003	92	
	1.2	01.07 -	51	1198	3	BZG/CGPA	CL003	92	
	1.4	09.06 -	63	1390	4	BXW	CL003	92	
Superb (3U4)	1.6	09.06 -	77	1598	4	BTS	CL003	92	
	1.8T	02.02 - 03.08	110	1781	4	AWT	CL005	93	
	2.0	02.02 - 03.08	85	1984	4	AZM	CL002	90	
Superb (3T4)	2.8 V6	02.02 - 03.08	142	2771	6	AMX	CL006	94	
	1.4 TSI	07.08 -	92	1390	4	CAXC	CL003	92	
	1.8 TSI	03.08 -	118	1798	4	BZB/CDA	CL011	95	
Superb (3T4)	1.8 TSI 4x4	11.08 -	118	1798	4	CDA	CL011	95	
	SMART								
Cabrio	0.6	03.00 - 01.04	40	599	3	M 160 E6AL B03	CL607	158	
	0.6	01.01 - 01.04	45	599	3	M 160 E6AL B05	CL607	158	
	0.6	06.02 - 01.04	52	599	3		CL607	158	
	0.7	01.03 - 01.04	45	698	3		CL607	158	
	0.7	01.03 - 01.04	55	698	3		CL607	158	
City-Coupe (MC01)	0.6	07.98 - 01.04	33	599	3	M 160 E6AL B04	CL607	158	
	0.6	07.98 - 01.04	40	599	3	M 160 E6AL B03	CL607	158	
	0.6	01.01 - 01.04	45	599	3	M 160 E6AL B05	CL607	158	
	0.6	06.02 - 01.04	52	599	3		CL607	158	
	0.7	01.03 - 01.04	37	698	3		CL607	158	
	0.7	01.03 - 01.04	45	698	3		CL607	158	
	0.7	01.03 - 01.04	55	698	3		CL607	158	
Fortwo Cabrio (450.432)	0.7	01.04 -	45	698	3		CL607	158	
	0.7	01.04 -	55	698	3		CL607	158	
Fortwo Coupe (450.330)	0.7	01.04 -	37	698	3		CL607	158	
	0.7	01.04 -	45	698	3		CL607	158	

CAR	MODEL	YEAR	KW	CCM	CYL	MOTOR	COIL TYPE	PAGE
SMART								
Fortwo Coupe (450.330)	0.7	01.04 -	55	698	3		CL607	158
Roadster (452.432)	0.7	04.03 -	45	698	3		CL607	158
Roadster (452.434)	0.7	04.03 -	60	698	3		CL607	158
Roadster (452.437)	0.7 Brabus	12.03 -	74	698	3		CL607	158
Roadster Coupe (452.332)	0.7	06.03 -	45	698	3		CL607	158
Roadster Coupe (452.334)	0.7	04.03 -	60	698	3		CL607	158
Roadster Coupe (452.337)	0.7 Brabus	12.03 -	74	698	3		CL607	158
SSANG YONG								
Korando (KJ)	2.0	05.97 -	94	1998	4		CL604	155
							CL606	157
	2.3	05.97 -	103	2295	4		CL604	155
							CL606	157
	2.3	01.99 -	105	2295	4		CL604	155
						CL606	157	
Korando Cabrio (KJ)	2.3	11.97 -	103	2295	4		CL604	155
							CL606	157
	2.3	02.99 -	105	2295	4		CL604	155
						CL606	157	
Musso (FJ)	2.0	10.96 -	93	1998	4	E20	CL604	155
							CL606	157
	2.3	10.96 -	103	2295	4	M 111.970	CL604	155
							CL606	157
	3.2	06.96 -	162	3199	6	M 104.992	CL604	155
						CL606	157	
Rexton (GAB_)	3.2	04.02 -	162	3199	6		CL604	155
							CL606	157
SUBARU								
Justy III (G3X)	1.5	09.03 -	73	1490	4	M15A	CL561	151
SUZUKI								
Alto IV (FF)	1.1	06.02 -	46	1061	4		CL561	151
Baleno (EG)	1.3	09.96 - 05.02	52	1298	4	G13BA	CL561	151
	1.3 i 16V	07.95 - 05.02	63	1298	4	G13B	CL561	151
	1.6 i 16V	07.95 - 05.02	72	1590	4	G16B	CL561	151
	1.6 i 16V 4x4	07.95 - 05.02	72	1590	4	G16B	CL561	151
	1.8 GT	03.96 - 05.02	89	1839	4	J18A	CL512	141
						CL557	150	
Baleno Combi (EG)	1.3 16V	03.97 - 05.02	63	1298	4	G13BB	CL561	151
	1.6 i 16V	08.96 - 05.02	72	1590	4	G16B	CL561	151
	1.6 i 16V 4x4	08.96 - 05.02	72	1590	4	G16B	CL561	151
	1.8 i 16V	08.96 - 05.02	89	1839	4	J18A	CL512	141
						CL557	150	
Baleno Hatchback (EG)	1.3	09.96 - 05.02	52	1298	4	G13BA	CL561	151
	1.3 i 16V	07.95 - 05.02	63	1298	4	G13B	CL561	151
	1.6 i 16V	07.95 - 05.02	72	1590	4	G16B	CL561	151
	1.6 i 16V 4x4	07.95 - 05.02	72	1590	4	G16B	CL561	151
	1.8 GT	03.96 - 05.02	89	1839	4	J18A	CL512	141
						CL557	150	
Carry Van (FD)	1.3	03.99 -	58	1298	4	G13B	CL561	151
	1.3 16V	03.00 -	58	1298	4	G13BB	CL561	151
Grand Vitara (FT, GT)	1.6	03.98 -	69	1590	4	G16B	CL533	145
	2.0	03.98 -	94	1995	4	J20A	CL557	150
	2.5 V6 24V	04.98 -	106	2493	6	H 25 A	CL557	150
	2.5 V6 24V	04.01 -	116	2493	6	H 25 A	CL557	150
	2.7 XL-7	09.01 -	127	2736	6		CL557	150
	2.7 XL-7	04.03 -	135	2736	6	H 27 A	CL557	150
Grand Vitara	2.0 Allrad	10.05 -	103	1995	4	J20A	CL512	141
							CL557	150
Ignis (FH)	1.3	10.00 - 09.03	61	1328	4	M13A	CL561	151
	1.3 4WD	10.00 - 09.03	61	1328	4	M13A	CL561	151
Ignis II	1.3	09.03 -	69	1328	4	M13A	CL561	151

CAR	MODEL	YEAR	kW	ccm	CYL	MOTOR	COIL TYPE	PAGE
SUZUKI								
Ignis II	1.3 4x4	09.03 -	69	1328	4	M13A	CL561	151
	1.5	09.03 -	73	1490	4	M15A	CL561	151
	1.5 4x4	09.03 -	73	1490	4	M15A	CL561	151
	1.5 Sport	12.03 -	80	1490	4	M15A	CL561	151
Jimny (FJ)	1.3 16V	02.01 -	60	1328	4	M13A	CL561	151
	1.3 16V 4WD	02.01 -	60	1328	4	M13A	CL561	151
Swift III (SG)	1.3	02.05 -	68	1328	4	M13A	CL561	151
	1.3 4x4	02.05 -	68	1328	4		CL561	151
	1.5	02.05 -	75	1490	4	M15A	CL561	151
SX4	1.5	06.06 -	73	1490	4	M15A	CL561	151
Vitara (ET, TA)	2.0 16V	12.96 - 03.98	97	1995	4	J20A	CL557	150
	2.0V6 24V	12.94 - 03.98	100	1998	6	H 20 A	CL512	141
							CL557	150
	2.5V6 24V	12.95 - 03.98	118	2493	6		CL557	150
Vitara Cabrio (ET, TA)	2.0 16V	12.96 - 03.99	97	1995	4	J20A	CL557	150
Wagon R+ (MM)	1.3	09.03 -	69	1328	4	M13A	CL561	151
	1.3 4WD	09.03 -	69	1328	4	M13A	CL561	151
TOYOTA								
Avensis (_ T22 _)	1.6	09.97 - 10.00	74	1587	4	4A-FE	CL514	142
	1.6	09.97 - 10.00	81	1587	4	4A-FE	CL514	142
	1.6 VVT-i	10.00 - 02.03	81	1598	4	3ZZ-FE	CL555	149
	1.8 VVT-i	10.00 - 02.03	95	1794	4	1ZZ-FE	CL555	149
	2.0 VVT-i	10.00 - 02.03	110	1998	4	1AZ-FSE	CL564	152
Avensis (T25)	1.6 VVT-i	04.03 -	81	1598	4	3ZZ-FE	CL555	149
	1.8	04.03 -	95	1794	4	1ZZ-FE	CL555	149
	2.4	10.03 -	120	2362	4	2AZ-FSE	CL564	152
	2.4	09.03 -	125	2362	4	2AZ-FSE	CL564	152
Avensis Combi (T25)	1.6 VVT-i	04.03 -	81	1598	4	3ZZ-FE	CL555	149
	1.8	04.03 -	95	1794	4	1ZZ-FE	CL555	149
	2.4	10.03 -	120	2362	4	2AZ-FSE	CL564	152
	2.4	09.03 -	125	2362	4	2AZ-FSE	CL564	152
Avensis Liftback (_ T22 _)	1.6	09.97 - 10.00	74	1587	4	4A-FE	CL514	142
	1.6	09.97 - 10.00	81	1587	4	4A-FE	CL514	142
	1.6 VVT-i	10.00 - 02.03	81	1598	4	3ZZ-FE	CL555	149
	1.8 VVT-i	10.00 - 02.03	95	1794	4	1ZZ-FE	CL555	149
	2.0 VVT-i	10.00 - 02.03	110	1998	4	1AZ-FSE	CL564	152
Avensis Sedan (T25)	1.6 VVT-i	04.03 -	81	1598	4	3ZZ-FE	CL555	149
	1.8	04.03 -	95	1794	4	1ZZ-FE	CL555	149
	2.4	10.03 -	120	2362	4	2AZ-FSE	CL564	152
	2.4	09.03 -	125	2362	4	2AZ-FSE	CL564	152
Avensis Station Wagon (_ T22 _)	1.6	09.97 - 10.00	74	1587	4	4A-FE	CL514	142
	1.6	09.97 - 10.00	81	1587	4	4A-FE	CL514	142
	1.6 VVT-i	10.00 - 02.03	81	1598	4	3ZZ-FE	CL555	149
	1.8 VVT-i	10.00 - 02.03	95	1794	4	1ZZ-FE	CL555	149
	2.0 VVT-i	10.00 - 02.03	110	1998	4	1AZ-FSE	CL564	152
Aygo	1.0	07.05 -	50	998	3	1KR-FE	CL542	146
							CL555	149
Carina E (_ T19 _)	1.6	12.93 - 09.97	73	1587	4	4A-FE	CL514	142
	1.6	12.93 - 09.97	85	1587	4	4A-FE	CL513	141
							CL514	142
	1.6 16V	10.95 - 09.97	78	1587	4	4A-FE	CL514	142
	1.6 GLI	04.92 - 09.97	79	1587	4	4A-FE	CL513	141
						CL514	142	
Carina E Sedan (_ T19 _)	1.6	01.95 - 09.97	73	1587	4	4A-FE	CL514	142
	1.6	10.95 - 09.97	78	1587	4	4A-FE	CL514	142
	1.6	01.93 - 09.97	79	1587	4	4A-FE	CL513	141
							CL514	142
	1.6 16V	12.94 - 09.97	85	1587	4	4A-FE	CL513	141
						CL514	142	

CAR	MODEL	YEAR	KW	CCM	CYL	MOTOR	COIL TYPE	PAGE
TOYOTA								
Carina E Sedan (_T19_)	1.6 GLI	04.92 - 09.97	79	1587	4	4A-FE	CL513	141
							CL514	142
Carina E Sportswagon (_T19_)	1.6 GLI	01.93 - 09.97	79	1587	4	4A-FE	CL513	141
	1.6 i	02.95 - 09.97	73	1587	4	4A-FE	CL514	142
Carina II (_T17_)	1.6	12.87 - 11.89	66	1587	4	4A-F	CL513	141
Carina II Sedan (_T17_)	1.6	12.87 - 08.90	66	1587	4	4A-F	CL513	141
	1.6	12.87 - 03.92	72	1587	4	4A-FE	CL513	141
	1.6	12.87 - 03.92	75	1587	4	4A-FE	CL513	141
Carina II Station Wagon (_T17_)	1.6	12.87 - 12.89	66	1587	4	4A-F	CL513	141
Celica (ST16_)	1.6	04.86 - 02.90	63	1588	4	4A-L	CL513	141
Celica (_T20_)	1.8 i 16V	11.93 - 11.99	85	1762	4	7A-FE	CL513	141
Celica Liftback (T16)	1.6	04.86 - 02.90	63	1588	4	4A-L	CL513	141
Corolla (_E8_)	1.3	10.84 - 08.87	55	1295	4	2E-LC/2E-L	CL513	141
	1.6	08.85 - 08.87	53	1587	4	4A-LC	CL513	141
	1.6	12.85 - 05.88	54	1587	4	4A-LC	CL513	141
	1.6	06.83 - 08.87	62	1588	4	4A-L	CL513	141
Corolla (_E9_)	1.3 i	08.87 - 12.92	55	1296	4	2E-E/2E	CL513	141
	1.6	08.87 - 12.89	66	1587	4	4A-F	CL513	141
Corolla (_E10_)	1.3 12V	07.92 - 04.97	53	1296	4	2E	CL513	141
	1.3 XLI	09.95 - 04.97	55	1332	4	4E-FE	CL513	141
	1.3 XLI 16V	07.92 - 09.95	65	1332	4	4E-FE	CL513	141
	1.6 Si	09.95 - 04.97	84	1587	4	4A-FE	CL513	141
Corolla (_E11_)	1.4 16V	02.00 - 01.02	71	1398	4	4ZZ-FE	CL542	146
	1.6 16V	02.00 - 01.02	81	1598	4	3ZZ-FE	CL555	149
	1.6 Aut.	04.97 - 02.00	79	1587	4	4A-FE	CL513	141
Corolla (_E12U_ , _E12J_)	1.4 VVT-i	01.02 -	71	1398	4	4ZZ-FE	CL555	149
	1.6 VVT-i	01.02 -	81	1598	4	3ZZ-FE	CL555	149
Corolla Combi (_E12J_ , _E12T_)	1.4 VVT-i	01.02 -	71	1398	4	4ZZ-FE	CL555	149
	1.6 VVT-i	01.02 -	81	1598	4	3ZZ-FE	CL555	149
Corolla FX Compact (E8B)	1.3	08.85 - 08.87	55	1295	4	2E-L	CL513	141
Corolla Compact (_E9_)	1.3	08.87 - 12.89	55	1296	4	2E	CL513	141
	1.3 i	06.89 - 04.92	55	1296	4	2E-E	CL513	141
	1.6	08.87 - 04.92	66	1587	4	4A-F	CL513	141
Corolla Compact (_E10_)	1.3 12V	07.92 - 05.95	53	1296	4	2E	CL513	141
	1.3 XLI	09.95 - 04.97	55	1332	4	4E-FE	CL513	141
	1.3 XLI 16V	07.92 - 09.95	65	1332	4	4E-FE	CL513	141
	1.6 Si	07.92 - 04.97	84	1587	4	4A-FE	CL513	141
	1.8 GT	11.92 - 05.95	86	1762	4	7A-FE	CL513	141
Corolla Compact (_E11_)	1.4	02.00 - 01.02	71	1398	4	4ZZ-FE	CL542	146
	1.6	02.00 - 01.02	81	1598	4	3ZZ-FE	CL555	149
Corolla Liftback (_E8_)	1.3	01.85 - 08.87	55	1296	4	2E-LC/2E-L	CL513	141
	1.6	08.85 - 08.87	54	1587	4	4A-LC	CL513	141
	1.6	06.83 - 08.87	62	1588	4	4A-L	CL513	141
	1.6	07.85 - 05.88	63	1587	4	4A-L	CL513	141
Corolla Liftback (_E9_)	1.3 i	08.87 - 04.92	55	1296	4	2E-E/2E	CL513	141
	1.6	08.87 - 04.92	66	1587	4	4A-F	CL513	141
Corolla Liftback (_E10_)	1.3 12V	07.92 - 05.95	53	1296	4	2E	CL513	141
	1.3 XLI	07.92 - 04.97	65	1332	4	4E-FE	CL513	141
	1.6 GLI	07.92 - 04.97	84	1587	4	4A-FE	CL513	141
	1.8 GT	11.92 - 05.95	86	1762	4	7A-FE	CL513	141
Corolla Liftback (_E11_)	1.4	02.00 - 01.02	71	1398	4	4ZZ-FE	CL542	146
	1.6	02.00 - 01.02	81	1598	4	3ZZ-FE	CL555	149
	1.6	04.97 - 02.00	81	1587	4	4A-FE	CL513	141
	1.6 Aut.	04.97 - 02.00	79	1587	4	4A-FE	CL513	141
Corolla Sedan (_E12J_ , _T_)	1.4 VVT-i	08.02 -	71	1398	4	4ZZ-FE	CL555	149
	1.6 VVT-i	08.02 -	81	1598	4	3ZZ-FE	CL555	149
Corolla Station Wagon (_E9_)	1.3	12.87 - 12.89	55	1296	4	2E	CL513	141
	1.3 i	06.89 - 06.92	55	1296	4	2E-E	CL513	141
	1.6	02.88 - 05.92	66	1587	4	4A-F	CL513	141
	1.6	12.87 - 04.92	70	1587	4	4A-F	CL513	141

CAR	MODEL	YEAR	KW	CCM	CYL	MOTOR	COIL TYPE	PAGE
TOYOTA								
Corolla Verso (_E12J_)	1.6 VVT-i	01.02 - 05.04	81	1598	4	3ZZ-FE	CL555	149
	1.8 VVT-i	01.02 - 05.04	99	1794	4	1ZZ-FE	CL555	149
Corolla Verso (ZER_ , ZZE_)	1.6	04.04 -	81	1598	4	3ZZ-FE	CL555	149
	1.8	04.04 -	95	1794	4	1ZZ-FE	CL555	149
Corolla Wagon (_E10_)	1.3 12V	07.92 - 05.95	53	1296	4	2E	CL513	141
	1.3 XLI	09.95 - 04.97	55	1332	4	4E-FE	CL513	141
	1.3 XLI 16V	07.92 - 09.95	65	1332	4	4E-FE	CL513	141
	1.6 Si	07.92 - 04.97	84	1587	4	4A-FE	CL513	141
	1.8 16V 4WD	09.95 - 04.97	81	1762	4	7A-FE	CL513	141
Corolla Wagon (_E11_)	1.4 16V	02.00 - 01.02	71	1398	4	4ZZ-FE	CL542	146
	1.6 16V	02.00 - 01.02	81	1598	4	3ZZ-FE	CL555	149
Hiace III Van (_H10_)	2.0	02.90 - 08.95	74	1998	4	1RZ	CL513	141
	2.4	08.89 - 08.95	88	2438	4	2RZ-E	CL513	141
	2.4 4WD	08.89 - 08.95	88	2438	4	2RZ-E	CL513	141
Hiace III Wagon (_H10_)	2.0	08.89 - 08.95	74	1998	4	1RZ	CL513	141
	2.4	08.89 - 08.95	88	2438	4	2RZ-E	CL513	141
	2.4 4WD	08.89 - 08.95	88	2438	4	2RZ-E	CL513	141
Hiace IV Van (_H1_ , _H2_)	2.4	08.95 - 04.98	85	2438	4	2RZ-E	CL513	141
	2.4 4WD	08.95 - 04.98	85	2438	4	2RZ-E	CL513	141
Hiace IV Wagon (_H1_ , _H2_)	2.4	08.95 - 04.98	85	2438	4	2RZ-E	CL513	141
	2.4 4WD	08.95 - 04.98	85	2438	4	2RZ-E	CL513	141
Land Cruiser (GRJ12)	4.0	01.03 -	183	3956	6	1GR-FE	CL564	152
MR 2 (_W3_)	1.8 16V VT-i	04.00 -	103	1794	4	1ZZ-FE	CL555	149
Paseo Coupe (EL54)	1.5 16V	08.95 - 07.99	66	1497	4	5E-FE	CL513	141
Prius Liftback	1.5	08.03 -	57	1497	4	1NZ-FXE	CL520	142
Prius Sedan (NHW11_)	1.5	05.00 - 01.04	53	1497	4	1NZ-FXE	CL520	142
RAV 4 I (SXA1_)	2.0 16V	06.94 - 06.00	95	1998	4	3S-FE	CL513	141
RAV 4 II (XA2)	1.8 VVTi	02.01 -	92	1794	4	1ZZ-FE	CL555	149
Starlet (_P7_)	1.3	10.84 - 12.89	55	1295	4	2E-LC	CL513	141
Starlet (_P8_)	1.3 12V	12.89 - 12.92	55	1296	4	2E-E/2E	CL513	141
	1.3 12V	12.89 - 03.96	55	1296	4	2E-E	CL513	141
Starlet (EP91)	1.3	04.96 - 03.99	55	1332	4	4E-FE	CL513	141
Yaris	1.0 VVT-i	01.06 -	51	998	3	1KR-FE	CL542	146
							CL555	149
	1.3 VVT-i	01.06 -	64	1298	4	2SZ-FE	CL520	142
Yaris (_CP10)	1.0 16V	03.03 -	48	998	4	1SZ-FE	CL520	142
	1.3 16V	11.99 -	63	1299	4	2NZ-FE	CL520	142
Yaris Verso (NC/LP2_)	1.3	01.03 -	62	1299	4	2NZ-FE	CL520	142
	1.3	11.99 -	63	1299	4	2NZ-FE	CL520	142
	1.5	05.03 -	77	1497	4	1NZ-FE	CL520	142
	1.5	03.00 -	78	1497	4	1NZ-FE	CL520	142
VAZ								
1117 Kalina Combi	1.4i 16V	06 -	65	1390	4	VAZ 11170	CL800	162
1117 Kalina Combi	1.6i 8V	01.05 -	59	1598	4	VAZ 21114	CL802	163
1118 Kalina sedan	1.4i 16V	06 -	65	1390	4	VAZ 11170	CL800	162
1118 Kalina sedan	1.6i 8V	01.05 -	59	1598	4	VAZ 21114	CL802	163
1119 Kalina hatchback	1.4i 16V	05 -	65	1390	4	VAZ 11170	CL800	162
1119 Kalina hatchback	1.6i 8V	01.05 -	59	1598	4	VAZ 21114	CL802	163
21101 Lada 110	1.6i 8V	01.04 -	59	1598	4	VAZ 21114	CL802	163
21102 Lada 110	1.5i 8V	95 -	57	1499	4	VAZ 2111	CL801	163
21103 Lada 110	1.5i 16V	98 -	66	1499	4	VAZ 2112	CL801	163
2110 Lada 110	1.6i 16V	10.04 -	72	1598	4	VAZ 21124	CL800	162
2111 Lada 111	1.5i 8V	98 -	57	1499	4	VAZ 2111	CL801	163
2111 Lada 111	1.6i 16V	10.04 -	72	1598	4	VAZ 21124	CL800	162
21112 Lada 111	1.6i 8V	01.04 -	59	1598	4	VAZ 21114	CL802	163
21113 Lada 111	1.5i 16V	99 -	66	1499	4	VAZ 2112	CL801	163
2112 Lada 112	1.5i 16V	99 -	66	1499	4	VAZ 2112	CL801	163
2112 Lada 112	1.6i 16V	10.04 -	72	1598	4	VAZ 21124	CL800	162
21121 Lada 112	1.6i 8V	01.04 -	59	1598	4	VAZ 21114	CL802	163
21122 Lada 112	1.5i 8V	99 -	57	1499	4	VAZ 2111	CL801	163

CAR	MODEL	YEAR	KW	CCM	CYL	MOTOR	COIL TYPE	PAGE
VAZ								
2113 Samara 2	1.5i 8V	02 -	57	1499	4	VAZ 2111	CL801	163
2114 Lada 114	1.5i 8V	01 -	57	1499	4	VAZ 2111	CL801	163
2115 Lada 115	1.5i 8V	01 -	57	1499	4	VAZ 2111	CL801	163
2170 Priora sedan	1.6i 16V	09.07 -	72	1598	4	VAZ 21124	CL800	162
2171 Priora Combi	1.6i 16V	05.09 -	72	1598	4	VAZ 21124	CL800	162
2172 Priora hatchback	1.6i 16V	02.08 -	72	1598	4	VAZ 21124	CL800	162
VOLVO								
340-360 (343, 345)	1.4	08.82 - 08.85	46	1397	4	B 14.3 E	CL118	108
	1.4	08.86 - 12.88	50	1397	4	B 14.4 S	CL118	108
	1.4	08.87 - 07.88	51	1397	4	B 14.4 S	CL118	108
	1.7	08.85 - 07.91	59	1721	4	B 17.2 K	CL118	108
	2.0	08.84 - 07.87	77	1986	4	B 200 K	CL118	108
	2.0	08.88 - 07.89	80	1986	4	B 200 F	CL118	108
	2.0	08.87 - 07.88	81	1986	4	B 200 F	CL118	108
	2.0	08.86 - 07.88	82	1986	4	B 200 E/B 200 F	CL118	108
	2.0	08.84 - 07.86	87	1986	4	B 200 E	CL118	108
340-360 Sedan (344)	1.4	08.87 - 07.88	51	1397	4	B 14.4 S	CL118	108
	1.7	08.85 - 07.91	59	1721	4	B 17.2 K	CL118	108
	2.0	08.84 - 07.90	75	1986	4	B 200 K	CL118	108
	2.0	08.84 - 07.87	77	1986	4	B 200 K	CL118	108
	2.0	08.87 - 07.88	81	1986	4	B 200 EA	CL118	108
	2.0	08.86 - 07.88	82	1986	4	B 200 EA	CL118	108
	2.0	08.84 - 07.86	85	1986	4	B 200 E	CL118	108
	2.0	08.84 - 07.86	87	1986	4	B 200 E	CL118	108
440 K (445)	1.7	09.88 - 12.96	64	1721	4	B 18 KP	CL118	108
	1.7	08.88 - 07.89	70	1721	4	B 18 F	CL118	108
	1.7	08.89 - 12.96	75	1721	4	B 18 FP	CL118	108
460 L (464)	1.7	09.88 - 07.96	64	1721	4	B 18 KP	CL118	108
	1.7	08.89 - 07.92	75	1721	4	B 18 EP	CL118	108
480 E	1.7	08.87 - 07.89	70	1721	4	B 18 F	CL118	108
	1.7	08.89 - 07.96	75	1721	4	B 18 EP	CL118	108
	1.7	04.86 - 07.89	78	1721	4	B 18 E	CL118	108
	1.7	08.86 - 07.88	80	1721	4	B 18 E	CL118	108
850 (LS)	2.0	08.94 - 12.96	93	1984	5	B 5202 S	CL119	109
	2.0	06.91 - 12.96	105	1984	5	B 5204 F	CL119	109
	2.0 Turbo	08.93 - 12.96	155	1984	5	B 5204 T/B 5204 FT	CL119	109
	2.3 T5	08.93 - 07.96	166	2319	5	B 5234 FT	CL119	109
	2.3 T5-R	08.95 - 12.96	184	2319	5	B 5234 T4	CL119	109
	2.5	06.91 - 07.94	103	2435	5	B 5252	CL119	109
	2.5	08.94 - 12.96	106	2435	5	B 5252 S	CL119	109
	2.5	08.91 - 12.96	125	2435	5	B 5254 S	CL119	109
850 Combi (LW)	2.0	08.94 - 12.96	93	1984	5	B 5202 S	CL119	109
	2.0	02.93 - 12.96	105	1984	5	B 5204 F	CL119	109
	2.0 Turbo	02.93 - 12.96	155	1984	5	B 5204 T/B 5204 FT	CL119	109
	2.3 T5	02.93 - 12.96	166	2319	5	B 5234 FT	CL119	109
	2.3 T5-R	08.95 - 12.96	184	2319	5	B 5234 T4	CL119	109
	2.5	08.92 - 07.94	103	2435	5	B 5252	CL119	109
	2.5	08.94 - 12.96	106	2435	5	B 5252 S	CL119	109
	2.5	09.92 - 12.96	125	2435	5	B 5254 S	CL119	109
	2.5 AWD	04.96 - 12.96	142	2435	5	B 5254 T	CL119	109
C30	1.6	10.06 -	74	1596	4	B 4164 S3	CL403	135
C70 I Cabrio	2.0	03.98 - 10.05	132	1984	5	B 5204 T2	CL119	109
	2.0T	03.00 - 10.05	120	1984	5	B 5204 T4	CL121	110
	2.0T	03.98 - 10.05	166	1984	5	B 5204 T3	CL121	110
	2.3 T5	07.02 - 10.05	180	2319	5	B 5234 T9	CL121	110
	2.3 T-5	03.98 - 10.05	176	2319	5	B 5234 T3	CL121	110
	2.4T	07.02 - 10.05	147	2435	5	B 5244 T7	CL121	110
	2.5	06.98 - 10.05	125	2435	5	B 5254 S	CL121	110
	2.5T	03.98 - 10.05	142	2435	5	B 5254 T/B 5244 T	CL121	110
C70 I Coupe	2.0	03.97 - 09.02	132	1984	5	B 5204 T2	CL119	109

CAR	MODEL	YEAR	KW	CCM	CYL	MOTOR	COIL TYPE	PAGE
VOLVO								
C70 I Coupe	2.0T	03.97 - 07.98	166	1984	5	B 5204 T3	CL119	109
	2.0T	08.98 - 09.02	166	1984	5	B 5204 T3	CL121	110
	2.0T	03.00 - 09.02	120	1984	5	B 5204 T4	CL121	110
	2.3T-5	03.97 - 07.98	176	2319	5	B 5234 T3	CL119	109
	2.3T-5	08.98 - 09.02	176	2319	5	B 5234 T3	CL121	110
	2.5	03.99 - 09.02	121	2435	5		CL121	110
	2.5	05.99 - 09.02	125	2435	5	B 5244 S/B 5254 S	CL121	110
	2.5T	03.97 - 09.02	142	2435	5	B 5254 T/B 5244 T	CL119	109
S40 I (VS)	1.6	09.95 - 08.99	77	1588	4	B 4164 S	CL136	114
							CL137	114
	1.8	07.95 - 08.99	85	1731	4	B 4184 S3/B 4184 S	CL136	114
							CL137	114
	2.0	07.95 - 08.99	103	1948	4	B 4204 S	CL136	114
						CL137	114	
S40 II (MS)	1.6	01.05 -	74	1596	4	B 4164 S3	CL403	135
S60	2.0T	09.01 -	132	1984	5	B 5204 T5	CL121	110
	2.3T5	11.00 -	184	2319	5	B 5234 T3	CL121	110
	2.4	11.00 -	103	2435	5	B 5244 S2	CL121	110
	2.4	11.00 -	125	2435	5	B 5244 S	CL121	110
	2.4 Bifuel	06.02 -	103	2435	5	B 5244 SG2	CL121	110
	2.5T	02.04 -	154	2521	5	B 5254 T2	CL121	110
S70 (P80 _)	2.0	01.97 - 11.00	93	1984	5	B 5202 S	CL119	109
	2.0	01.97 - 11.00	105	1984	5	B 5204 F	CL119	109
	2.0	01.97 - 11.00	132	1984	5	B 5204 T2	CL119	109
	2.0 Turbo	01.97 - 11.00	155	1984	5	B 5204 T	CL119	109
	2.0 Turbo	01.97 - 11.00	166	1984	5	B 5204 T3	CL121	110
	2.3T-5	01.97 - 07.98	176	2319	5	B 5234 T3	CL119	109
	2.3T-5	08.98 - 11.00	176	2319	5	B 5234 T3	CL121	110
	2.3 Turbo	01.97 - 11.00	184	2319	5	B 5234 FT+	CL119	109
	2.4	08.99 - 11.00	103	2435	5	B 5244 SG/B 5244 S2	CL121	110
	2.4	01.97 - 11.00	125	2435	5	B 5244 S/B 5254 S	CL121	110
	2.4 Turbo	01.97 - 07.98	142	2435	5	B 5254 T/B 5244 T	CL119	109
	2.4 Turbo	08.98 - 11.00	142	2435	5	B 5254 T/B 5244 T	CL121	110
	2.5	01.97 - 11.00	106	2435	5	B 5252 S	CL119	109
	2.5	06.98 - 11.00	121	2435	5		CL119	109
	2.5 Bifuel	10.98 - 11.00	106	2435	5	GB 5252 S	CL119	109
S80 (TS, XY)	2.0	06.98 - 07.06	120	1984	5	B 5204 T4	CL121	110
	2.0T	12.99 - 07.06	132	1984	5	B 5204 T5	CL121	110
	2.0T	06.98 - 07.06	166	1984	5	B 5204 T3	CL121	110
	2.4	01.99 - 07.06	103	2435	5	B 5244 S2	CL121	110
	2.4	01.99 - 07.06	125	2435	5	B 5244 S	CL121	110
	2.4 Bifuel	09.01 - 07.06	103	2435	5	B 5244 SG2	CL121	110
	2.4T	06.00 - 07.06	147	2435	5	B 5244 T3	CL121	110
	2.5T AWD	07.03 - 07.06	154	2521	5	B 5254 T2	CL121	110
	2.8T6	05.98 - 07.06	200	2783	6	B 6284 T	CL121	110
	2.9	03.99 - 07.06	147	2922	6	B 6294 S	CL121	110
	2.9	05.98 - 07.06	150	2922	6	B 6304 S3	CL121	110
	3.0	06.01 - 07.06	144	2922	6	B 6294 S2	CL121	110
	3.0T6	06.01 - 07.06	200	2922	6	B 6294 T	CL121	110
V40 Combi (VW)	1.6	12.95 - 08.99	77	1588	4	B 4164 S	CL136	114
							CL137	114
	1.8	07.95 - 08.99	85	1731	4	B 4184 S3/B 4184 S	CL136	114
							CL137	114
	2.0	07.95 - 08.99	103	1948	4	B 4204 S	CL136	114
						CL137	114	
V50 (MW)	1.6	01.05 -	74	1596	4	B 4164 S3	CL403	135
V70 I Combi (P80 _)	2.0	01.97 - 03.00	93	1984	5	B 5202 S	CL119	109
	2.0	01.97 - 03.00	105	1984	5		CL119	109
	2.0	01.97 - 03.00	132	1984	5	B 5204 T2	CL119	109
	2.0 Turbo	01.97 - 07.98	155	1984	5	B 5204 T	CL119	109

CAR	MODEL	YEAR	KW	CCM	CYL	MOTOR	COIL TYPE	PAGE
VOLVO								
V70 I Combi (P80_)	2.0 Turbo	08.98 - 03.00	155	1984	5	B 5204 T	CL121	110
	2.0 Turbo	01.97 - 07.98	166	1984	5	B 5204 T3	CL119	109
	2.0 Turbo	08.98 - 03.00	166	1984	5	B 5204 T3	CL121	110
	2.0 Turbo AWD	01.97 - 07.98	166	1984	5	B 5204 T3	CL119	109
	2.0 Turbo AWD	08.98 - 03.00	166	1984	5	B 5204 T3	CL121	110
	2.3 T AWD	04.97 - 03.00	184	2319	5	B 5234 FT+	CL119	109
	2.3 T-5	01.97 - 07.98	176	2319	5	B 5234 T3	CL119	109
	2.3 T-5	08.98 - 03.00	176	2319	5	B 5234 T3	CL121	110
	2.3 T-5 AWD	01.97 - 07.98	176	2319	5	B 5234 T3	CL119	109
	2.3 T-5 AWD	08.98 - 03.00	176	2319	5	B 5234 T3	CL121	110
	2.3 Turbo	01.97 - 03.00	184	2319	5	B 5234 FT+	CL119	109
	2.4	08.99 - 05.00	103	2435	5	B 5244 SG2/B 5244 S2	CL121	110
	2.4	01.97 - 05.00	125	2435	5	B 5254 S	CL121	110
	2.4 Turbo	01.97 - 07.98	142	2435	5	B 5254 T/B 5244 T	CL119	109
	2.4 Turbo	08.98 - 03.00	142	2435	5	B 5254 T/B 5244 T	CL121	110
	2.5	01.97 - 03.00	106	2435	5	B 5252 S	CL119	109
	2.5	06.98 - 03.00	121	2435	5	B 5254 S	CL119	109
	2.5 Bifuel	10.98 - 08.99	106	2435	5	GB 5252 S	CL119	109
	2.5 Turbo AWD	01.97 - 07.98	142	2435	5	B 5254 T/B 5244 T	CL119	109
	2.5 Turbo AWD	08.98 - 05.00	142	2435	5	B 5254 T/B 5244 T	CL121	110
V70 II Combi (P80_)	2.0 T	07.01 -	132	1984	5	B 5204 T5	CL121	110
	2.3 T5	03.00 -	184	2319	5	B 5234 T3/B 5234 T4	CL121	110
	2.4	03.00 -	103	2435	5	B 5244 S2	CL121	110
	2.4	03.00 -	125	2435	5	B 5244 S	CL121	110
	2.4 Bifuel	09.01 -	103	2435	5	B 5244 SG	CL121	110
	2.4 T	03.00 -	147	2435	5	B 5244 T3	CL121	110
	2.4 T AWD	09.01 -	147	2435	5	B 5244 T3	CL121	110
	2.5 T	04.04 -	154	2521	5	B 5254 T2	CL121	110
	2.5 T AWD	09.02 -	154	2521	5	B 5254 T2	CL121	110
	XC 70 Cross Country	2.4 T XC AWD	03.00 - 09.02	147	2435	5	B 5244 T3	CL121
2.5 T XC AWD		09.02 -	154	2521	5	B 5254 T2	CL121	110
XC 90	2.5 T	10.02 -	154	2521	5	B 5254 T2	CL121	110
	3.0 T6	10.02 -	200	2922	6	B 6294 T	CL121	110
VW								
Bora (1J2)	1.4 16V	03.00 - 05.05	55	1390	4	AHW/AXP/APE/AKQ	CL002	90
	1.4 16V	03.00 - 05.05	55	1390	4	BCA	CL003	92
	1.6	10.98 - 05.05	74	1595	4	AKL/APF/AEH	CL002	90
	1.6	08.00 - 05.05	75	1595	4	AVU/BFQ	CL002	90
	1.6 16V	05.00 - 05.05	77	1598	4	AUS/ATN	CL002	90
	1.6 16V	05.00 - 05.05	77	1598	4	BCB/AZD	CL003	92
	1.6 FSI	01.02 - 05.05	81	1598	4	BAD	CL003	92
	1.8	10.98 - 05.05	92	1781	4	AGN/BAF	CL002	90
	1.8 4motion	02.99 - 05.05	92	1781	4	AGN	CL002	90
	1.8 T	05.00 - 05.05	110	1781	4	AGU	CL004	93
	1.8 T	05.00 - 05.05	110	1781	4	ARX/AUM	CL005	93
	1.8 T	03.02 - 05.05	132	1781	4	AUQ	CL005	93
	2.0	10.98 - 05.05	85	1984	4	APK/AZH/AQY	CL002	90
	2.0	10.98 - 05.05	85	1984	4	AZJ/AZG	CL010	95
	2.0 4motion	04.00 - 05.05	85	1984	4	AZH	CL002	90
	2.0 4motion	04.00 - 05.05	85	1984	4	AZJ	CL010	95
	2.3 V5	10.98 - 10.00	110	2324	5	AGZ	CL020	98
	2.3 V5	10.00 - 05.05	125	2324	5	AQN	CL020	98
							CL023	99
	2.3 V5 4motion	12.98 - 10.00	110	2324	5	AGZ	CL020	98
	2.3 V5 4motion	10.00 - 05.05	125	2324	5	AQN	CL020	98
							CL023	99
2.8 V6 4motion	03.99 - 05.05	150	2792	6	AQP/AUE/BDE	CL023	99	
Bora Combi (1J6)	1.4 16V	09.01 - 05.05	55	1390	4	AHW/AXP	CL002	90
	1.4 16V	09.01 - 05.05	55	1390	4	BCA	CL003	92
	1.6	05.99 - 05.05	74	1595	4	APF/AEH	CL002	90

CAR	MODEL	YEAR	KW	CCM	CYL	MOTOR	COIL TYPE	PAGE
VW								
Bora Combi (1J6)	1.6	08.00 - 05.05	75	1595	4	AVU/BFQ	CL002	90
	1.6 16V	02.00 - 05.05	77	1598	4	AUS/ATN	CL002	90
	1.6 16V	02.00 - 05.05	77	1598	4	BCB/AZD	CL003	92
	1.6 FSI	01.02 - 05.05	81	1598	4	BAD	CL003	92
	1.8 4motion	05.99 - 05.05	92	1781	4	AGN	CL002	90
	1.8T	05.00 - 05.05	110	1781	4	AGU	CL004	93
	1.8T	05.00 - 05.05	110	1781	4	ARX/AUM	CL005	93
	1.8T	05.02 - 05.05	132	1781	4	AUQ	CL005	93
	2.0	05.99 - 05.05	85	1984	4	APK/AZH/AQY	CL002	90
	2.0	05.99 - 05.05	85	1984	4	AZJ/AZG	CL010	95
	2.0 4motion	04.00 - 05.05	85	1984	4	AZH	CL002	90
	2.0 4motion	04.00 - 05.05	85	1984	4	AZJ	CL010	95
	2.3 V5	05.99 - 10.00	110	2324	5	AGZ	CL020	98
	2.3 V5	10.00 - 05.05	125	2324	5	AQN	CL020	98
							CL023	99
	2.3 V5 4motion	05.99 - 10.00	110	2324	5	AGZ	CL020	98
	2.3 V5 4motion	10.00 - 05.05	125	2324	5	AQN	CL020	98
							CL023	99
	2.8 V6 4motion	05.99 - 05.05	150	2792	6	AQP/AUE/BDE	CL023	99
	2.8 VR6	03.00 - 05.00	150	2792	6	AUE	CL023	99
Caddy II 60 Van (9K9A)	1.4	11.95 - 01.04	44	1390	4	AEX/APQ	CL001	89
	1.4	11.95 - 01.04	44	1390	4	AUD	CL002	90
Caddy II 75 Van (9K9A)	1.6	11.95 - 05.97	55	1595	4	1F	CL001	89
Caddy II Combi (9K9B)	1.4	11.95 - 01.04	44	1390	4	AEX/AKV/APQ	CL001	89
	1.4	11.95 - 01.04	44	1390	4	AUD	CL002	90
	1.4 16V	08.00 - 01.04	55	1390	4	AUA	CL002	90
	1.6	11.95 - 05.97	55	1595	4	1F	CL001	89
Caddy II Pick-up (9U7)	1.6	06.96 - 12.00	55	1598	4	AEE	CL001	89
Caddy II Van (9K9A)	1.4	08.00 - 01.04	55	1390	4	AUA	CL002	90
Caddy III Combi (2KB, 2KJ)	1.4	03.04 -	55	1390	4	BCA	CL003	92
	1.4 16V	05.06 -	59	1390	4	BUD	CL003	92
	1.6	04.04 -	75	1595	4	BGU/BSF/BSE	CL002	90
	2.0 EcoFuel	04.06 -	80	1984	4	BSX	CL010	95
Caddy III Van (2KA, 2KH)	1.4	03.04 -	55	1390	4	BCA	CL003	92
	1.4 16V	05.06 -	59	1390	4	BUD	CL003	92
	1.6	04.04 -	75	1595	4	BGU/BSF/BSE	CL002	90
	2.0 EcoFuel	04.06 -	80	1984	4	BSX	CL010	95
Corrado (53I)	2.0 i	04.93 - 12.95	85	1984	4	ADY/2E	CL001	89
	2.0 i 16V	08.91 - 12.95	100	1984	4	9A	CL001	89
Eos	2.0 FSI	03.06 -	110	1984	4	BVZ/BVY	CL011	95
	2.0 TFSI	03.06 -	147	1984	4	BWA	CL011	95
	3.2 V6	06.06 -	184	3189	6	CBRA/BUB	CL016	97
Fox (5Z1)	1.2	04.05 -	40	1198	3	BMD	CL009	95
	1.4	04.05 -	55	1390	4	BKR	CL002	90
Golf I Cabrio (155)	1.8	08.83 - 04.93	70	1781	4	JH	CL018	98
Golf II (19E, 1G1)	1.0	08.85 - 10.91	37	1043	4	HZ	CL018	98
	1.3 cat	06.86 - 12.92	40	1272	4	NZ/2G/MH	CL001	89
							CL018	98
							CL019	98
	1.6	10.86 - 12.92	51	1595	4	PN	CL018	98
	1.6	02.86 - 10.91	53	1595	4	RF	CL018	98
	1.6	08.83 - 07.92	55	1595	4	HM/ABN/EZ	CL018	98
	1.8	08.86 - 01.90	62	1781	4	RH	CL018	98
	1.8 Syncro	02.86 - 07.91	66	1781	4	GX/GU	CL018	98
	1.8 Syncro	08.88 - 07.91	72	1781	4	1P	CL018	98
	1.8 GTI	08.83 - 10.91	82	1781	4	EV/GZ/PB/DX	CL018	98
	1.8 GTI 16V	02.86 - 10.91	95	1781	4	PL	CL018	98
	1.8 GTI 16V	02.86 - 06.90	102	1781	4	KR	CL018	98
	1.8 GTI cat	01.87 - 10.91	79	1781	4	PF	CL018	98
Golf III (1H1)	1.4	11.91 - 08.97	40	1390	4	AEX/ABD	CL001	89

CAR	MODEL	YEAR	kW	ccm	CYL	MOTOR	COIL TYPE	PAGE
VW								
Golf III (1H1)	1.4	10.91 - 08.97	44	1390	4	AEX/ABD	CL001	89
	1.6	09.92 - 08.97	55	1598	4	ABU/AEA/AEE	CL001	89
	1.6	07.95 - 08.97	74	1595	4	AEK/AFT/AKS	CL001	89
	1.8	11.91 - 08.97	55	1781	4	AAM	CL001	89
	1.8	11.91 - 08.97	66	1781	4	ACC/ADZ/ABS	CL001	89
	1.8 Syncro	01.93 - 08.97	66	1781	4	ADZ/ABS	CL001	89
	2.0	11.91 - 08.97	85	1984	4	ADY/AKR/2E/AGG	CL001	89
	2.0 Syncro	08.95 - 08.97	85	1984	4	AGG	CL001	89
	2.0 GTI 16V	08.92 - 08.97	110	1984	4	ABF	CL001	89
	2.8 VR6	01.92 - 08.97	128	2792	6	AAA	CL021	99
	2.9 VR6 Syncro	10.94 - 08.97	140	2861	6	ABV	CL021	99
	Golf III Cabrio (1E7)	1.6	10.94 - 05.98	74	1595	4	AEK/AFT/AKS	CL001
1.8		07.93 - 05.98	55	1781	4	AAM	CL001	89
1.8		07.93 - 05.98	66	1781	4	ADZ/ABS	CL001	89
2.0		07.93 - 05.98	85	1984	4	ADY/AKR/2E/AGG	CL001	89
Golf III Variant (1H5)	1.4	07.93 - 04.99	40	1390	4	ABD	CL001	89
	1.4	07.93 - 04.99	44	1390	4	AEX/ABD/APQ	CL001	89
	1.6	07.93 - 12.97	55	1598	4	ABU/AEA/AEE	CL001	89
	1.6	07.94 - 04.99	74	1595	4	AEK/AFT/AKS	CL001	89
	1.8	07.93 - 04.99	55	1781	4	ANN/AAM	CL001	89
	1.8	07.93 - 04.99	66	1781	4	ADZ/ABS/ANP	CL001	89
	1.8 Syncro	10.94 - 04.99	66	1781	4	ADZ	CL001	89
	2.0	07.93 - 04.99	85	1984	4	ADY/AKR/2E/AGG	CL001	89
	2.0 Syncro	08.95 - 04.99	85	1984	4	AGG	CL001	89
	2.9 VR6	10.94 - 04.99	140	2861	6	ABV	CL021	99
	2.9 VR6 Syncro	10.94 - 04.99	140	2861	6	ABV	CL021	99
	Golf IV (1J1)	1.4 16V	08.97 - 06.05	55	1390	4	AHW/AXP/APE/AKQ	CL002
1.4 16V		08.97 - 06.05	55	1390	4	BCA	CL003	92
1.6		08.97 - 02.00	74	1595	4	AKL/APF/AEH	CL002	90
1.6		08.00 - 06.05	75	1595	4	AVU/BFQ	CL002	90
1.6 16V		02.00 - 06.05	77	1598	4	AUS/ATN	CL002	90
1.6 16V		02.00 - 06.05	77	1598	4	BCB/AZD	CL003	92
1.6 FSI		01.02 - 06.05	81	1598	4	BAD	CL003	92
1.8		08.97 - 06.05	92	1781	4	AGN/BAF	CL002	90
1.8 4motion		05.98 - 06.05	92	1781	4	AGN	CL002	90
1.8T		08.97 - 06.05	110	1781	4	AGU	CL004	93
1.8T		08.97 - 06.05	110	1781	4	AUM	CL005	93
1.8T GTI		08.01 - 06.05	132	1781	4	AUQ	CL005	93
2.0		07.98 - 06.05	85	1984	4	APK/AQY	CL002	90
2.0		07.98 - 06.05	85	1984	4	AZJ/AZG	CL010	95
2.0 4motion		10.00 - 06.05	85	1984	4	AZH	CL002	90
2.0 4motion		10.00 - 06.05	85	1984	4	AZJ	CL010	95
2.3 V5		08.97 - 10.00	110	2324	5	AGZ	CL020	98
2.3 V5		10.00 - 06.05	125	2324	5	AQN	CL020	98
							CL023	99
2.3 V5 4motion		12.98 - 10.00	110	2324	5	AGZ	CL020	98
2.3 V5 4motion		10.00 - 06.05	125	2324	5	AQN	CL020	98
							CL023	99
2.8 V6 4motion		03.99 - 06.05	150	2792	6	AQP/AUE/BDE	CL023	99
3.2 R32 4motion	09.02 - 06.05	177	3189	6	BFH/BML	CL016	97	
Golf IV Cabrio (1E7)	1.6	06.98 - 06.02	74	1595	4	AFT/AKS	CL001	89
	1.8	06.98 - 06.02	55	1781	4	ANN/AAM	CL001	89
	1.8	06.98 - 06.02	66	1781	4	ADZ/ANP	CL001	89
	2.0	06.98 - 06.02	85	1984	4	ATU/AKR/AWF/AGG/AWG	CL001	89
Golf IV Variant (1J5)	1.4 16V	05.99 - 06.06	55	1390	4	AHW/AXP/APE/AKQ	CL002	90
	1.4 16V	05.99 - 06.06	55	1390	4	BCA	CL003	92
	1.6	05.99 - 02.00	74	1595	4	AKL/APF/AEH	CL002	90
	1.6	08.00 - 06.06	75	1595	4	AVU	CL002	90
	1.6 16V	02.00 - 06.06	77	1598	4	AUS/ATN	CL002	90
	1.6 16V	02.00 - 06.06	77	1598	4	BCB/AZD	CL003	92

CAR	MODEL	YEAR	kW	ccm	CYL	MOTOR	COIL TYPE	PAGE
VW								
Golf IV Variant (1J5)	1.6 FSI	01.02 - 06.06	81	1598	4	BAD	CL003	92
	1.8 4motion	05.99 - 06.06	92	1781	4	AGN	CL002	90
	1.8T	05.00 - 06.06	110	1781	4	AGU	CL004	93
	1.8T	05.00 - 06.06	110	1781	4	AUM	CL005	93
	2.0	05.99 - 06.06	85	1984	4	APK/AQY	CL002	90
	2.0	05.99 - 06.06	85	1984	4	AZJ	CL010	95
	2.0 4motion	10.00 - 06.06	85	1984	4	AZH	CL002	90
	2.0 4motion	10.00 - 06.06	85	1984	4	AZJ	CL010	95
	2.3 V5	05.99 - 06.06	110	2324	5	AGZ	CL020	98
	2.3 V5	10.00 - 06.06	125	2324	5	AQN	CL020	98
							CL023	99
	2.3 V5 4motion	05.99 - 06.06	110	2324	5	AGZ	CL020	98
	2.3 V5 4motion	10.00 - 06.06	125	2324	5	AQN	CL020	98
							CL023	99
	2.8 V6 4motion	05.99 - 06.06	150	2792	6	AQP/AUE/BDE	CL023	99
Golf Plus (5M1, 521)	1.4 16V	01.05 -	55	1390	4	BCA	CL003	92
	1.4 16V	01.05 -	59	1390	4	BUD/CGGA	CL003	92
	1.4 FSI	07.05 - 05.06	66	1390	4	BLN	CL003	92
	1.4 TSI	06.07 -	90	1390	4	CAXA	CL003	92
	1.4 TSI	05.06 -	103	1390	4	BMV	CL003	92
	1.4 TSI	05.06 -	125	1390	4	BLG	CL003	92
	1.6 FSI	01.05 -	85	1598	4	BLF	CL003	92
	2.0 FSI	05.05 -	110	1984	4	BLY/BLR/BVZ/BVY	CL011	95
Golf V (1K1)	1.4 16V	10.03 -	55	1390	4	BCA	CL003	92
	1.4 16V	05.06 -	59	1390	4	BUD	CL003	92
	1.4 FSI	10.03 -	66	1390	4	BKG/BLN	CL003	92
	1.4 TSI	05.06 -	103	1390	4	BMV	CL003	92
	1.4 TSI	11.05 -	125	1390	4	BLG	CL003	92
	1.6	01.04 -	75	1595	4	BGU/BSF/BSE	CL002	90
	1.6 FSI	10.03 -	85	1598	4	BLF/BLP/BAG	CL003	92
	2.0 FSI	01.04 -	110	1984	4	BVX/BLX/BLY/BLR/AXW/BVZ/BVY	CL011	95
	2.0 FSI 4motion	08.04 -	110	1984	4	BVX/BLX	CL011	95
	2.0 GTI	10.04 -	147	1984	4	BWA/AXX	CL011	95
	3.2 R32 4motion	11.05 -	184	3189	6	CBR/CBRA/BUB	CL016	97
Golf V Variant (1K5)	1.4	06.07 -	59	1390	4	BUD	CL003	92
	1.4 TSI	06.07 -	90	1390	4	CAXA	CL003	92
	1.4 TSI	06.07 -	103	1390	4	BMV	CL003	92
	1.4 TSI	06.07 -	125	1390	4	BLG	CL003	92
Jetta II (19E, 1G2)	1.3 cat	06.87 - 12.91	40	1272	4	NZ/2G/MH	CL018	98
	1.8	08.84 - 10.91	66	1781	4	GX/GU/HV	CL018	98
	1.8	08.85 - 10.87	79	1781	4	RD	CL018	98
	1.8	08.86 - 01.90	62	1781	4	RH	CL018	98
	1.8 16V	08.86 - 10.91	95	1781	4	PL	CL018	98
Jetta III (1K2)	1.4 TSI	07.06 -	103	1390	4	BMV	CL003	92
	1.4 TSI	07.06 -	125	1390	4	BLG	CL003	92
	1.6 FSI	09.05 -	85	1598	4	BLF	CL003	92
	2.0 FSI	08.05 -	110	1984	4	BLY/BLR/BVZ/BVY	CL011	95
	2.0 TFSI	10.05 -	147	1984	4	BWA/BPY/CCTA	CL011	95
Lupo (6X1, 6E1)	1.0	09.98 - 07.05	37	999	4	AER/ALL	CL001	89
	1.0	09.98 - 07.05	37	999	4	ALD/ANV/AUC	CL002	90
	1.4	10.00 - 07.05	44	1390	4	AUD	CL002	90
	1.4 16V	09.98 - 07.05	55	1390	4	AHW/APE/AKQ/AUA	CL002	90
	1.4 16V	09.98 - 07.05	55	1390	4	BBY	CL003	92
	1.4 16V	08.99 - 07.05	74	1390	4	ANM/AFK/AUB/AQQ	CL002	90
Multivan V (7HM, 7HF)	2.0	11.03 -	85	1984	4	AXA	CL002	90
New Beetle (9C1, 1C1)	1.4	11.01 -	55	1390	4	BCA	CL003	92
	1.6	10.99 - 09.00	74	1595	4	AWH	CL002	90
	1.6	06.00 -	75	1595	4	AYD/BFS	CL002	90
	1.8T	10.99 -	110	1781	4	AWW/APH/AVC/AWU	CL005	93
	2.0	01.98 -	85	1984	4	AZG	CL010	95

CAR	MODEL	YEAR	KW	CCM	CYL	MOTOR	COIL TYPE	PAGE
VW								
New Beetle (9C1, 1C1)	2.3 V5	10.00 -	125	2324	5	AQN	CL023	99
New Beetle Cabrio (1Y7)	1.4	01.03 -	55	1390	4	BCA	CL003	92
	1.6	01.03 -	75	1595	4	BFS	CL002	90
	1.8 T	01.03 -	110	1781	4	AWU	CL005	93
	2.0	09.02 -	85	1984	4	AZJ	CL010	95
Passat (32B)	1.6	08.80 - 03.88	55	1595	4	DT	CL018	98
Passat (3A2, 351)	1.6	10.94 - 08.96	74	1595	4	AEK/AFT	CL001	89
	1.6	02.88 - 12.88	55	1595	4	EZ	CL018	98
	1.8	08.90 - 08.96	55	1781	4	AAM	CL001	89
	1.8	02.88 - 08.96	66	1781	4	RP/ADZ/ABS	CL001	89
	1.8	04.88 - 07.92	82	1781	4	PB	CL018	98
	1.8 16V	04.88 - 12.89	100	1781	4	KR	CL018	98
	2.0	03.95 - 08.96	79	1984	4	AEP	CL001	89
	2.0	02.90 - 08.96	85	1984	4	ADY/2E/AGG	CL001	89
							CL019	98
	2.0 Syncro	10.90 - 08.96	85	1984	4	ADY/2E/AGG	CL001	89
							CL019	98
	2.8 VR6	06.91 - 08.96	128	2792	6	AAA	CL021	99
Passat (3B2)	1.6	10.96 - 11.00	74	1595	4	AHL/ARM/ANA	CL002	90
	1.8	10.96 - 11.00	92	1781	4	ADR/APT/ARG	CL028	100
	1.8 Syncro/4motion	10.96 - 11.00	92	1781	4	ADR/APT/ARG	CL028	100
	1.8 T	10.96 - 11.00	110	1781	4	AEB/ANB/APU	CL004	93
	2.3 VR5	10.96 - 11.00	110	2324	5	AGZ	CL020	98
	2.3 VR5 Sync./4motion	10.97 - 11.00	110	2324	5	AGZ	CL020	98
	2.8 V6	08.96 - 11.00	142	2771	6	APR/ACK/AQD	CL006	94
	2.8 V6 Syncro/4motion	10.96 - 11.00	142	2771	6	APR/ACK/ALG/AQD	CL006	94
Passat (3B3)	1.6	11.00 - 05.05	75	1595	4	ALZ	CL002	90
	1.8 T 20V	11.00 - 05.05	110	1781	4	AWT/AWL	CL005	93
	2.0	11.00 - 05.05	85	1984	4	AZM/BFF	CL002	90
	2.0	11.01 - 05.05	96	1984	4	ALT	CL005	93
	2.0 4motion	11.00 - 05.05	85	1984	4	AZM	CL002	90
	2.3 V5	11.00 - 05.05	125	2324	5	AZX	CL024	100
	2.3 V5 4motion	11.00 - 05.05	125	2324	5	AZX	CL024	100
	2.8	05.02 - 05.03	142	2771	6	ATQ/AMX	CL006	94
	2.8 4motion	11.00 - 05.05	142	2771	6	ATQ/AMX	CL006	94
	4.0 V8 4motion	09.01 - 05.05	202	3999	8	BDP/BDN	CL022	99
Passat (3C2)	1.6 FSI	03.05 -	85	1598	4	BLF	CL003	92
	2.0 FSI	03.05 -	110	1984	4	BLY/BLR/BVZ/BVY	CL011	95
	2.0 FSI 4motion	09.05 -	110	1984	4	BVX/BLX/BLY	CL011	95
	2.0 TFSI	07.05 -	147	1984	4	BWA/BPY/AXX/CBFA/CAWB/CCTA	CL011	95
Passat Sedan (32B)	1.6	01.85 - 03.88	55	1595	4	DT	CL018	98
	1.8	01.85 - 03.88	66	1781	4	DS/JN	CL018	98
	1.6	08.80 - 03.88	55	1588	4	WV/YN	CL018	98
	1.8 Syncro	01.86 - 03.88	66	1781	4	DS/JN	CL018	98
	2.0 Syncro	05.84 - 03.88	85	1994	5	JS	CL018	98
Passat Variant (3A5, 351)	1.6	07.94 - 12.95	74	1595	4	AEK/AFT	CL001	89
	1.6	04.88 - 12.88	55	1595	4	EZ	CL018	98
	1.8	08.90 - 05.97	55	1781	4	AAM	CL001	89
	1.8	02.88 - 05.97	66	1781	4	RP/ADZ/ABS	CL001	89
	1.8	04.88 - 07.92	82	1781	4	PB	CL018	98
	1.8 16V	04.88 - 12.89	100	1781	4	KR	CL018	98
	2.0	03.95 - 08.96	79	1984	4	AEP	CL001	89
	2.0	02.90 - 05.97	85	1984	4	ADY/2E/AGG	CL001	89
							CL019	98
	2.0 Syncro	10.90 - 05.97	85	1984	4	ADY/2E/AGG	CL001	89
							CL019	98
	2.8 VR6	06.91 - 05.97	128	2792	6	AAA	CL021	99
	2.9 VR6 Syncro	01.94 - 05.97	135	2861	6	ABV	CL021	99
Passat Variant (3B5)	1.6	06.97 - 11.00	74	1595	4	AHL/ARM/ANA	CL002	90
	1.8	06.97 - 11.00	92	1781	4	ADR/APT/ARG	CL028	100

CAR	MODEL	YEAR	kW	ccm	CYL	MOTOR	COIL TYPE	PAGE	
VW									
Passat Variant (3B5)	1.8 Syncro/4motion	06.97 - 11.00	92	1781	4	ADR/APT/ARG	CL028	100	
	1.8T	06.97 - 11.00	110	1781	4	AEB/ANB/APU	CL004	93	
	2.3 VR5	06.97 - 11.00	110	2324	5	AGZ	CL020	98	
	2.3 VR5 Sync./4motion	10.97 - 11.00	110	2324	5	AGZ	CL020	98	
	2.8 V6	06.97 - 11.00	142	2771	6	APR/ACK/AQD	CL006	94	
	2.8 V6 Syncro/4motion	06.97 - 11.00	142	2771	6	APR/ACK/ALG/AQD	CL006	94	
Passat Variant (3B6)	1.6	11.00 - 05.05	75	1595	4	ALZ	CL002	90	
	1.8T 20V	11.00 - 05.05	110	1781	4	AWT	CL005	93	
	2.0	11.00 - 05.05	85	1984	4	AZM	CL002	90	
	2.0	11.01 - 05.05	96	1984	4	ALT	CL005	93	
	2.0 4motion	11.00 - 05.05	85	1984	4	AZM	CL002	90	
	2.3 VR5	11.00 - 05.05	125	2324	5	AZX	CL024	100	
	2.3 VR5 4motion	11.00 - 05.05	125	2324	5	AZX	CL024	100	
	2.8 4motion	11.00 - 05.05	142	2771	6	ATQ/AMX	CL006	94	
Passat Variant (3C5)	4.0 V8 4motion	09.01 - 05.05	202	3999	8	BDP/BDN	CL022	99	
	1.6 FSI	08.05 -	85	1598	4	BLF	CL003	92	
	2.0 FSI 4motion	09.05 -	110	1984	4	BVX/BLX/BLY	CL011	95	
Phaeton (3D2)	2.0 TFSI	08.05 -	147	1984	4	BWA/BPY/AXX/CBFA/CAWB/CCTA	CL011	95	
	3.2 V6	04.02 -	177	3189	6	AYT/BKL	CL016	97	
	3.2 V6 4motion	02.04 -	177	3189	6	BRK/BKL	CL016	97	
	4.2 V8 4motion	05.03 -	246	4172	8	BGJ/BGH	CL017	97	
	6.0 V12 4motion	04.02 -	309	5998	12	BAN	CL022	99	
Polo (6N2)	6.0 V12 4motion	05.05 -	331	5998	12	BTT/BRN	CL022	99	
	1.0	10.99 - 09.01	37	999	4	ALD/AUC	CL002	90	
	1.4	10.99 - 09.01	40	1390	4	AKP	CL002	90	
	1.4	10.99 - 09.01	44	1390	4	AKK/AUD	CL002	90	
	1.4 16V	10.99 - 09.01	55	1390	4	AHW/APE/AUA	CL002	90	
	1.4 16V	10.99 - 09.01	74	1390	4	AFK/AUB/AQQ	CL002	90	
Polo (86C, 80)	1.6 16V GTI	10.99 - 09.01	92	1598	4	AVY/ARC	CL002	90	
	1.0	08.85 - 01.92	33	1043	4	HZ	CL001	89	
							CL019	98	
	1.0 cat	08.89 - 09.94	33	1043	4	AAU/AAK/ACM	CL001	89	
	1.3	09.82 - 09.89	55	1272	4	GK	CL018	98	
	1.3 cat	07.87 - 10.90	40	1272	4	NZ/2G/MH/AAV	CL018	98	
	1.3 cat	10.90 - 09.94	40	1272	4	NZ/2G	CL019	98	
	1.3 cat	10.90 - 09.94	40	1272	4	NZ/2G/AAV	CL001	89	
Polo (9N_)	1.3 cat	10.89 - 03.91	55	1272	4	3F	CL001	89	
	1.2	01.02 - 05.07	40	1198	3	AWY/BMD	CL009	95	
	1.2 12V	10.01 - 07.07	47	1198	3	AZQ/BME	CL003	92	
	1.4 16V	10.01 - 05.08	55	1390	4	AUA	CL002	90	
	1.4 16V	10.01 - 05.08	55	1390	4	BBY	CL003	92	
	1.4 16V	05.06 -	59	1390	4	BUD	CL003	92	
	1.4 16V	10.01 - 05.08	74	1390	4	BBZ/AUB	CL003	92	
Polo 45 (6N1)	1.4 FSI	02.02 - 07.06	63	1390	4	AXU	CL003	92	
	1.0	10.94 - 09.96	33	1043	4	AEV	CL001	89	
	Polo 50 (6N1)	1.0	09.96 - 10.99	37	999	4	AER/ALL	CL001	89
	Polo 55 (6N1)	1.3	10.94 - 07.95	40	1296	4	ADX	CL001	89
	Polo 55 (6N1)	1.4	08.95 - 10.99	40	1390	4	AEX	CL001	89
	Polo 60 (6N1)	1.4	07.95 - 10.99	44	1390	4	AEX/AKV/APQ	CL001	89
	Polo 75 (6N1)	1.6	10.94 - 10.99	55	1598	4	AEA/AEE/AHS	CL001	89
	Polo 100 (6N1)	1.4 16V	04.96 - 10.99	74	1390	4	AFH	CL001	89
	Polo 120 (6N1)	1.6 16V GTI	09.98 - 10.99	88	1598	4	AJV	CL002	90
	Polo Classic (86C, 80)	1.0	01.85 - 09.94	33	1043	4	AAU/HZ/AAK	CL001	89
							CL019	98	
1.3		01.85 - 07.87	40	1272	4	MH/HK	CL001	89	
1.3 cat		07.87 - 09.94	40	1272	4	NZ/MH	CL001	89	
Polo Classic 60 (6KV2)							CL019	98	
	1.4	12.95 - 09.01	44	1390	4	AEX/AKV/ANW/APQ	CL001	89	
Polo Classic 75 (6KV2)	1.4	12.95 - 09.01	44	1390	4	AKK/AUD	CL002	90	
	1.4 16V	10.99 - 09.01	55	1390	4	APE/AUA	CL002	90	

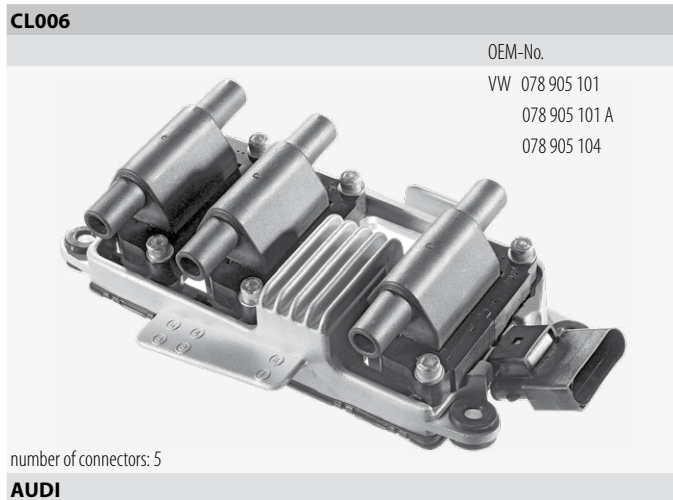
CAR	MODEL	YEAR	kW	ccm	CYL	MOTOR	COIL TYPE	PAGE
VW								
Polo Classic 75 (6KV2)	1.6	11.95 - 09.97	55	1595	4	1F	CL001	89
	1.6	11.95 - 09.01	55	1598	4	ALM/AEE	CL001	89
Polo Classic 100 (6KV2)	1.6	12.95 - 09.01	74	1595	4	AFT	CL001	89
	1.6	12.95 - 09.01	74	1595	4	AKL/APF/AEH/AUR	CL002	90
Polo Classic 90 (6KV2)	1.8	01.97 - 09.01	66	1781	4	ADD	CL001	89
Polo Coupe (86C, 80)	1.0	08.85 - 01.92	33	1043	4	HZ	CL001	89
	1.0	08.85 - 01.92	33	1043	4	HZ	CL019	98
	1.0 cat	08.89 - 09.94	33	1043	4	AAU/AAK/ACM	CL001	89
							CL019	98
	1.3	03.91 - 09.94	57	1272	4	3F	CL001	89
	1.3 cat	07.87 - 08.94	40	1272	4	NZ/2G/MH/AAV	CL001	89
							CL019	98
	1.3 cat	10.89 - 09.94	55	1272	4	3F	CL001	89
	1.3 G40	08.90 - 09.94	83	1272	4	PY	CL001	89
Polo Sedan	1.4	07.03 -	55	1390	4	BBY/BKY	CL003	92
	1.4	11.03 -	74	1390	4	BBZ	CL003	92
Polo Van (6NF)	1.4	05.98 - 12.99	44	1390	4	AEX/APQ	CL001	89
Polo Van (86CF)	1.0	08.92 - 07.94	33	1043	4	AAU	CL001	89
	1.3	08.92 - 07.94	40	1272	4	AAV	CL019	98
Polo Variant (6KV5)	1.4	05.97 - 09.01	44	1390	4	AEX/AKV/ANW/APQ	CL001	89
	1.4	12.98 - 09.01	40	1390	4	AKP	CL002	90
	1.4	05.97 - 09.01	44	1390	4	AKK/AUD	CL002	90
	1.4 16V	10.99 - 09.01	55	1390	4	APE/AUA	CL002	90
	1.6	05.97 - 09.01	55	1598	4	ALM/AEE	CL001	89
	1.6	05.97 - 09.01	74	1595	4	AFT	CL001	89
	1.6	05.97 - 09.01	74	1595	4	AKL/APF/AEH/AUR	CL002	90
	1.6	05.97 - 09.01	74	1595	4	AKL/APF/AEH/AUR	CL002	90
Scirocco (53B)	1.6	01.83 - 12.89	55	1595	4	EW	CL018	98
Sharan (7M8, 7M9, 7M6)	1.8 T 20V	09.97 -	110	1781	4	AJH	CL004	93
	1.8 T 20V	04.00 -	110	1781	4	AWC	CL014	96
	2.0	09.95 -	85	1984	4	ATM/ADY	CL001	89
	2.8 V6 24V	04.00 -	150	2792	6	AYL	CL023	99
	2.8 V6 24V 4motion	04.00 -	150	2792	6	AYL	CL023	99
	2.8 VR6	09.95 - 04.00	128	2792	6	AAA/AMY	CL021	99
	2.8 VR6 Syncro	11.96 - 04.00	128	2792	6	AAA/AMY	CL021	99
Touareg (7LA, 7L6, 7L7)	3.2 V6	10.02 - 11.06	162	3189	6	AZZ/BKJ/BAA	CL016	97
	3.2 V6	11.04 - 11.06	177	3189	6	BMX	CL016	97
	3.6 V6 FSI	03.06 -	206	3597	6	BHL/BHK	CL016	97
	4.2 V8	12.02 - 11.06	228	4172	8	AXQ/BHX	CL017	97
Touran (1T1, 1T2)	1.4 TSI	02.06 -	103	1390	4	BMV	CL003	92
	1.6	07.03 -	75	1595	4	BGU/BSF/BSE	CL002	90
	1.6 FSI	02.03 -	85	1598	4	BLF/BLP/BAG	CL003	92
	2.0 EcoFuel	02.06 -	80	1984	4	BSX	CL010	95
	2.0 FSI	10.03 -	110	1984	4	BLX/BLY/BLR/AXW	CL011	95
Transporter IV Bus (70X_, 7DB, 7DW)	1.8	12.90 - 07.92	49	1781	4	PD	CL001	89
							CL019	98
	2.0	09.90 - 04.03	62	1968	4	AAC	CL001	89
							CL019	98
	2.5	11.90 - 04.03	81	2461	5	AEN/AAF/ACU/AEU	CL001	89
	2.5	08.96 - 04.03	85	2461	5	AVT/AET/APL	CL001	89
	2.5 Syncro	11.92 - 04.03	81	2461	5	AEN/AAF/ACU/AEU	CL001	89
	2.5 Syncro	07.96 - 04.03	85	2461	5	AVT/AET/APL	CL001	89
	2.8 Syncro	01.96 - 04.96	103	2792	6	AES	CL021	99
Transporter IV Flatbed (70XD)	2.8 V6	04.00 - 04.03	150	2792	6	AMV	CL021	99
	2.8 VR 6	11.95 - 04.00	103	2792	6	AES	CL021	99
	2.0	07.90 - 04.03	62	1968	4	AAC	CL001	89
							CL019	98
	2.5	11.90 - 04.03	81	2461	5	AEN/AAF/ACU/AEU	CL001	89
2.5	08.96 - 04.03	85	2461	5	AVT/AET/APL	CL001	89	
2.5 Syncro	10.92 - 04.03	81	2461	5	AEN/AAF/ACU/AEU	CL001	89	
2.5 Syncro	08.96 - 04.03	85	2461	5	AVT/AET/APL	CL001	89	

CAR	MODEL	YEAR	KW	CCM	CYL	MOTOR	COIL TYPE	PAGE
VW								
Transporter IV Van (70XA)	2.0	07.90 - 04.03	62	1968	4	AAC	CL001	89
							CL019	98
	2.5	11.90 - 04.03	81	2461	5	AEN/AAF/ACU/AEU	CL001	89
	2.5	08.96 - 04.03	85	2461	5	AVT/AET/APL	CL001	89
	2.5 Syncro	10.92 - 04.03	81	2461	5	AEN/AAF/ACU/AEU	CL001	89
	2.5 Syncro	08.96 - 04.03	85	2461	5	AVT/AET/APL	CL001	89
Transporter V Bus (7HB, 7HJ)	2.0	11.03 -	85	1984	4	AXA	CL002	90
	3.2 4motion	11.03 -	173	3189	6	BKK/CFLA	CL016	97
	3.2 V6	02.04 - 06.04	170	3189	6	BDL	CL016	97
	3.2 V6	02.04 -	173	3189	6	BKK/CFLA	CL016	97
Transporter V Flatbed (7J_)	2.0	11.03 -	85	1984	4	AXA	CL002	90
	3.2 V6	02.04 -	170	3189	6	BDL	CL016	97
	3.2 V6	08.03 -	173	3189	6	BKK	CL016	97
Transporter V Van (7HA, 7HH)	2.0	11.03 -	85	1984	4	AXA	CL002	90
	3.2 4motion	11.03 -	173	3189	6	BKK/CFLA	CL016	97
	3.2 V6	04.03 -	170	3189	6	BDL	CL016	97
	3.2 V6	02.04 -	173	3189	6	BKK/CFLA	CL016	97
Vento (1H2)	1.4	11.91 - 09.98	40	1390	4	ABD	CL001	89
	1.4	11.91 - 09.98	44	1390	4	ABD	CL001	89
	1.6	09.92 - 09.98	55	1598	4	ABU/AEA/AEE	CL001	89
							CL019	98
	1.6	10.94 - 09.98	74	1595	4	AEK	CL001	89
	1.8	11.91 - 09.98	55	1781	4	AAM	CL001	89
	1.8	11.91 - 09.98	66	1781	4	ABS	CL001	89
	2.0	11.91 - 09.98	85	1984	4	2E	CL001	89
	2.0	01.92 - 08.98	85	1984	4	2E	CL001	89
	2.8 VR6	01.92 - 09.98	128	2792	6	AAA	CL021	99

Ignition coils - summary incl. drawings
 Катушки зажигания - перечень, фотографии
 Zapalovací cívky - přehled s fotografiemi

Marking of coils
 Обозначение катушек
 Typové označení cívek

Original number of car producer
 Обозначение производителя автомобилей
 Označení dílu výrobcem automobilů



CL006

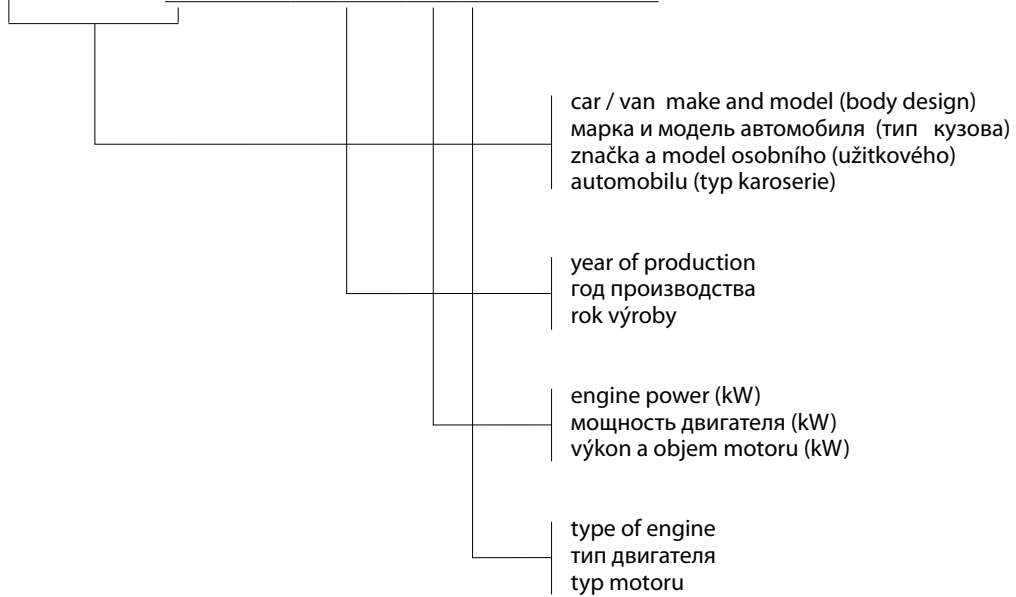
OEM-No.

VW 078 905 101
 078 905 101 A
 078 905 104

number of connectors: 5

AUDI

A4 (8D2, B5)	2.4	03.97 - 11.00	121	AML/ARJ/ALF/AGA/APS
	2.6	01.95 - 11.00	110	ABC



S

PSA = Citroen / Peugeot
VAG = Volkswagen Group

Kompr. = Kompressor
cat = catalysator

1 coil per cylinder

1 катушка на каждый цилиндр
1 cívka na válec

2 coils per vehicle

2 катушки на автомобиль
2 cívky pro automobil

2 coils and ignition lead set T471G

2 катушки и комплект проводов зажигания T471G
2 cívky a sada zapalovacích kabelů T471G

2 coils and ignition cables

2 катушки и высоковольтные провода
2 cívky a zapalovací kabely

for cylinder 1 & 3 & 5

катушка на цилиндр 1 & 3 & 5
cívka na válce 1 & 3 & 5

number of connectors: 2

к-во коннекторов: 2
počet konektorů: 2

flat (6,3 x 0,8 mm) connectors

плоские коннекторы (6,3 x 0,8 mm)
ploché konektory (6,3 x 0,8 mm)

rectangular socket

прямоугольная розетка
pravoúhlá zásuvka

oval socket

овальная розетка
oválná zásuvka

color of socket: black, brown, grey

цвет розетки: чёрный, коричневый, серый
barva zásuvky: černá, hnědá, šedá

1 socket with 2 connectors

1 розетка с 2 коннекторами
1 zásuvka s 2 konektory

top cover

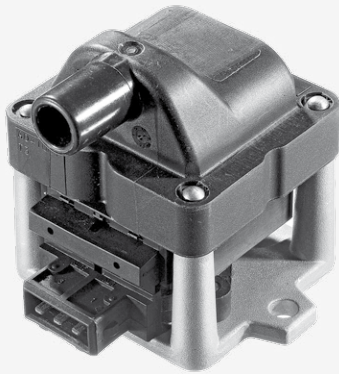
верхняя крышка
horní kryt

top cover width 44 mm

ширина верхней крышки 44 mm
šířka horního krytu 44 mm

lengths of cables: 47-42-42-42 cm

длина проводов: 47-42-42-42 cm
délka kabelů: 47-42-42-42 cm

CL001


OEM-No.
 Seat 867 905 104
 Skoda 004 050 016
 Skoda 6N0 905 104
 VW 357 905 104
 VW 6N0 905 104
 VW 867 905 104 A

number of connectors: 3

AUDI

100 (4A, C4)	2.0	12.90 - 06.94	74	AAE
100 Combi (4A, C4)	2.0 E	09.91 - 06.94	74	AAE
80 (8C, B4)	1.6	09.91 - 12.94	52	ABM
	2.0	09.91 - 12.94	66	ABT
	2.0 E	09.91 - 12.94	85	ABK
	2.3 E	09.91 - 12.94	98	NG
80 Combi (8C, B4)	2.0	07.92 - 01.96	66	ABT
	2.0 E	07.92 - 01.96	85	ABK
A6 (4A, C4)	2.0	06.94 - 10.97	85	ABK
Cabrio (8G7, B4)	2.0 E	01.93 - 07.98	85	ABK
Coupe (89, 8B)	2.0	05.89 - 12.96	85	ABK/AAD

SEAT

Alhambra (7V8, 7V9)	2.0 i	04.96 -	85	ADY
Arosa (6H)	1.0	05.97 - 06.04	37	AHT/AER/ALL
	1.4	05.97 - 06.04	44	AEX/AKV/APQ
Cordoba (6K2)	1.6	06.99 - 10.02	55	ALM
Cordoba (6K2/C2)	1.0 i	09.96 - 06.99	37	AER
	1.4 i	06.94 - 06.99	44	AEX/AKV/ABD/APQ
	1.4 i 16V	09.96 - 06.99	74	AFH
	1.6 i	05.94 - 06.99	55	1F
	1.6 i	02.93 - 06.99	55	ABU/ALM/AEE
	1.6 i	07.96 - 06.99	74	AFT
	1.8 i	02.93 - 06.99	66	ADZ/ABS
	1.8 i 16V	10.93 - 08.96	95	ADL
	2.0 i	02.93 - 06.99	85	2E/AGG
	2.0 i 16V	08.96 - 06.99	110	ABF
Cordoba Vario (6K5)	1.4 i	09.96 - 06.99	44	AEX/AKV/APQ
	1.6	06.99 - 12.02	55	ALM
	1.6 i	09.96 - 06.99	55	ALM/AEE
	1.6 i	09.96 - 06.99	74	AFT
Ibiza II (6K1)	1.0	03.93 - 09.96	33	AAU
	1.0 i	09.96 - 08.99	37	AER
	1.3 i	03.93 - 08.99	40	AAV
	1.4 i	09.93 - 08.99	44	AEX/AKV/ABD/APQ
	1.4 i 16V	09.96 - 08.99	74	AFH
	1.6 i	03.93 - 08.99	55	ABU/ALM/AEE
	1.6 i	09.94 - 06.99	55	1F
	1.6 i	04.96 - 08.99	74	AFT
	1.8 i	03.93 - 08.99	66	ADZ/ABS
	1.8 i 16V	11.93 - 08.96	95	ADL
2.0 i	03.93 - 08.99	85	2E/AGG	
2.0 i 16V	08.96 - 08.99	110	ABF	
Ibiza III (6K1)	1.6	08.99 - 02.02	55	ALM
Inca (6K9)	1.4 i	11.95 - 06.03	44	AEX/AKV/APQ/AUD

CL001
SEAT

Inca (6K9)	1.6 i	11.95 - 05.98	55	1F
Toledo I (1L)	1.6 i	05.91 - 12.93	52	1F
	1.6 i	05.91 - 03.99	54	EZ/ABN/1F
	1.6 i	01.93 - 03.99	55	1F
	1.6 i	11.96 - 03.99	74	AFT
	1.8 i	11.93 - 12.96	66	ADZ/ABS
	2.0 i	05.91 - 03.99	85	2E/AGG
2.0 i 16V	11.93 - 03.99	110	ABF	

SKODA

135 Favorit (781)	1.3	01.90 - 09.94	40	781.135E
	1.3	12.91 - 09.94	42	781.135
	1.3	05.89 - 09.94	43	781.135
	1.3	12.91 - 09.94	43	781.135
	1.3	10.90 - 09.94	44	781.135
135 Forman (785)	1.3	09.91 - 06.95	40	781.135E
135 Pick-up (787)	1.3	12.92 - 06.97	40	135B
	1.3	12.92 - 06.97	42	781.135
136 Favorit (781)	1.3	10.90 - 09.94	45	136 L
	1.3	01.94 - 09.94	50	136B
136 Forman (785)	1.3	01.94 - 06.95	50	136B
136 Pick-up (787)	1.3	12.92 - 06.97	50	136B
Felicia I (6U1)	1.3	10.94 - 03.98	40	135B/AMG
	1.3	10.94 - 03.98	43	AMJ/135 L
	1.3	10.94 - 03.98	50	136B/AMH
	1.6 LX	08.95 - 03.98	55	AEE
Felicia I Combi (6U5)	1.3	08.95 - 03.98	43	AMJ/135 L
	1.3 LX	08.95 - 03.98	40	135B/AMG
	1.3 LXI	08.95 - 03.98	50	136B/AMH
	1.6 GLX	08.95 - 03.98	55	AEE
Felicia I Fun (797)	1.3	06.97 -	40	135B/135M
	1.3	10.95 - 04.02	43	AMJ
	1.3	06.97 -	50	136B/136M
Felicia II (6U1)	1.6	06.97 -	55	AEE
	1.6	01.98 - 06.01	55	AEE
Felicia II Combi (6U5)	1.6	01.98 - 06.01	55	AEE
Octavia (1U2)	1.6	09.96 - 09.00	55	AEE
Octavia Combi (1U5)	1.6	07.98 -	55	AEE

VW

Caddy II 60 Van (9K9A)	1.4	11.95 - 01.04	44	AEX/APQ
Caddy II 75 Van (9K9A)	1.6	11.95 - 05.97	55	1F
Caddy II Combi (9K9B)	1.4	11.95 - 01.04	44	AEX/AKV/APQ
	1.6	11.95 - 05.97	55	1F
Caddy II Pick-up (9U7)	1.6	06.96 - 12.00	55	AEE
Corrado (53I)	2.0 i	04.93 - 12.95	85	ADY/2E
	2.0 i 16V	08.91 - 12.95	100	9A
Golf II (19E, 1G1)	1.3 cat	06.86 - 12.92	40	NZ/2G/MH
Golf III (1H1)	1.4	11.91 - 08.97	40	AEX/ABD
	1.4	10.91 - 08.97	44	AEX/ABD
	1.6	09.92 - 08.97	55	ABU/AEA/AEE
	1.6	07.95 - 08.97	74	AEK/AFT/AKS
	1.8	11.91 - 08.97	55	AAM
	1.8	11.91 - 08.97	66	ACC/ADZ/ABS
	1.8 Syncro	01.93 - 08.97	66	ADZ/ABS
	2.0	11.91 - 08.97	85	ADY/AKR/2E/AGG
	2.0 Syncro	08.95 - 08.97	85	AGG
	2.0 GTI 16V	08.92 - 08.97	110	ABF
Golf III Cabrio (1E7)	1.6	10.94 - 05.98	74	AEK/AFT/AKS
	1.8	07.93 - 05.98	55	AAM
	1.8	07.93 - 05.98	66	ADZ/ABS
	2.0	07.93 - 05.98	85	ADY/AKR/2E/AGG



CL001				
VW				
Golf III Variant (1H5)	1.4	07.93 - 04.99	40	ABD
	1.4	07.93 - 04.99	44	AEX/ABD/APQ
	1.6	07.93 - 12.97	55	ABU/AEA/AEE
	1.6	07.94 - 04.99	74	AEK/AFT/AKS
	1.8	07.93 - 04.99	55	ANN/AAM
	1.8	07.93 - 04.99	66	ADZ/ABS/ANP
	1.8 Syncro	10.94 - 04.99	66	ADZ
	2.0	07.93 - 04.99	85	ADY/AKR/2E/AGG
	2.0 Syncro	08.95 - 04.99	85	AGG
	Golf IV Cabrio (1E7)	1.6	06.98 - 06.02	74
1.8		06.98 - 06.02	55	ANN/AAM
1.8		06.98 - 06.02	66	ADZ/ANP
2.0		06.98 - 06.02	85	ATU/AKR/AWF/AGG/AWG
Lupo (6X1, 6E1)	1.0	09.98 - 07.05	37	AER/ALL
Passat (3A2, 35I)	1.6	10.94 - 08.96	74	AEK/AFT
	1.8	08.90 - 08.96	55	AAM
	1.8	02.88 - 08.96	66	RP/ADZ/ABS
	2.0	03.95 - 08.96	79	AEP
	2.0	02.90 - 08.96	85	ADY/2E/AGG
	2.0 Syncro	10.90 - 08.96	85	ADY/2E/AGG
Passat Variant (3A5, 35I)	1.6	07.94 - 12.95	74	AEK/AFT
	1.8	08.90 - 05.97	55	AAM
	1.8	02.88 - 05.97	66	RP/ADZ/ABS
	2.0	03.95 - 08.96	79	AEP
	2.0	02.90 - 05.97	85	ADY/2E/AGG
	2.0 Syncro	10.90 - 05.97	85	ADY/2E/AGG
Polo (86C, 80)	1.0	08.85 - 01.92	33	HZ
	1.0 cat	08.89 - 09.94	33	AAU/AAK/ACM
	1.3 cat	10.90 - 09.94	40	NZ/2G/AAV
	1.3 cat	10.89 - 03.91	55	3F
Polo 45 (6N1)	1.0	10.94 - 09.96	33	AEV
Polo 50 (6N1)	1.0	09.96 - 10.99	37	AER/ALL
Polo 55 (6N1)	1.3	10.94 - 07.95	40	ADX
	1.4	08.95 - 10.99	40	AEX
Polo 60 (6N1)	1.4	07.95 - 10.99	44	AEX/AKV/APQ
Polo 75 (6N1)	1.6	10.94 - 10.99	55	AEA/AEE/AHS
Polo 100 (6N1)	1.4 16V	04.96 - 10.99	74	AFH
Polo Classic (86C, 80)	1.0	01.85 - 09.94	33	AAU/HZ/AAK
	1.3	01.85 - 07.87	40	MH/HK
	1.3 cat	07.87 - 09.94	40	NZ/MH
Polo Classic 60 (6KV2)	1.4	12.95 - 09.01	44	AEX/AKV/ANW/APQ
Polo Classic 75 (6KV2)	1.6	11.95 - 09.97	55	1F
	1.6	11.95 - 09.01	55	ALM/AEE
Polo Classic 90 (6KV2)	1.8	01.97 - 09.01	66	ADD
Polo Classic 100 (6KV2)	1.6	12.95 - 09.01	74	AFT
Polo Coupe (86C, 80)	1.0	08.85 - 01.92	33	HZ
	1.0 cat	08.89 - 09.94	33	AAU/AAK/ACM
	1.3	03.91 - 09.94	57	3F
	1.3 cat	07.87 - 08.94	40	NZ/2G/MH/AAV
	1.3 cat	10.89 - 09.94	55	3F
1.3 G40	08.90 - 09.94	83	PY	
Polo Van (86CF)	1.0	08.92 - 07.94	33	AAU
Polo Van (6NF)	1.4	05.98 - 12.99	44	AEX/APQ
Polo Variant (6KV5)	1.4	05.97 - 09.01	44	AEX/AKV/ANW/APQ
	1.6	05.97 - 09.01	55	ALM/AEE
	1.6	05.97 - 09.01	74	AFT
Sharan (7M8, 7M9, 7M6)	2.0	09.95 -	85	ATM/ADY
Transporter IV Bus	1.8	12.90 - 07.92	49	PD
	2.0	09.90 - 04.03	62	AAC
	2.5	11.90 - 04.03	81	AEN/AAF/ACU/AEU

CL001				
VW				
Transporter IV Bus	2.5	08.96 - 04.03	85	AVT/AET/APL
	2.5 Syncro	11.92 - 04.03	81	AEN/AAF/ACU/AEU
	2.5 Syncro	07.96 - 04.03	85	AVT/AET/APL
Transporter IV Flatbed	2.0	07.90 - 04.03	62	AAC
	2.5	11.90 - 04.03	81	AEN/AAF/ACU/AEU
	2.5	08.96 - 04.03	85	AVT/AET/APL
	2.5 Syncro	10.92 - 04.03	81	AEN/AAF/ACU/AEU
	2.5 Syncro	08.96 - 04.03	85	AVT/AET/APL
Transporter IV Van (70XA)	2.0	07.90 - 04.03	62	AAC
	2.5	11.90 - 04.03	81	AEN/AAF/ACU/AEU
	2.5	08.96 - 04.03	85	AVT/AET/APL
	2.5 Syncro	10.92 - 04.03	81	AEN/AAF/ACU/AEU
	2.5 Syncro	08.96 - 04.03	85	AVT/AET/APL
Vento (1H2)	1.4	11.91 - 09.98	40	ABD
	1.4	11.91 - 09.98	44	ABD
	1.6	09.92 - 09.98	55	ABU/AEA/AEE
	1.6	10.94 - 09.98	74	AEK
	1.8	11.91 - 09.98	55	AAM
	1.8	11.91 - 09.98	66	ABS
	2.0	11.91 - 09.98	85	2E
	2.0	01.92 - 08.98	85	2E

CL002



OEM-No
Seat 032 905 106 B
032 905 106 B
VW 032 905 106
032 905 106 B

AUDI

A2 (8Z0)	1.4	02.00 - 08.05	55	AUA
A3 (8L1)	1.6	09.96 - 08.00	74	AKL/APF/AEH
	1.6	08.00 -	75	AVU/BFQ
	1.8	09.96 -	92	AGN/APG
	1.8 quattro	08.98 -	92	AGN
A3 (8P1)	1.6	05.03 -	75	BGU/CCSA/BSF/BSE
A3 Sportback (8PA)	1.6	09.04 -	75	BGU/CCSA/BSF/BSE
A4 (8D2, B5)	1.6	01.95 - 07.00	74	AHL/ADP/ARM/ANA
	1.6	07.00 - 11.00	75	ALZ
A4 (8E2, B6)	1.6	11.00 - 12.04	75	ALZ
A4 (8EC)	1.6	11.04 -	75	ALZ
A4 Avant (8D5, B5)	1.6	03.96 - 07.00	74	AHL/ADP/ARM/ANA
	1.6	07.00 - 09.01	75	ALZ
A4 Avant (8E5, B6)	1.6	09.01 - 12.04	75	ALZ
A4 Avant (8ED)	1.6	11.04	75	ALZ

SEAT

Alhambra (7V8, 7V9)	2.0i	04.96 -	85	ATM
Altea (5P1)	1.6	03.04 -	75	BGU/BSF/BSE
Arosa (6H)	1.0	05.97 - 06.04	37	ANV/ALD/AUC
	1.4	05.97 - 06.04	44	ANW/AKK/AUD
	1.4 16V	01.00 - 06.04	74	ANM/AFK/AUB/AQQ

CL002



CL002				
SEAT				
Cordoba (6K2)	1.0	06.99 - 10.02	37	ANV/ALD/AUC
	1.4	06.99 - 10.02	44	ANW/AKK/AUD
	1.4 16V	05.00 - 10.02	55	APE/AUA
	1.4 16V	02.00 - 10.02	74	AUB/AQQ
	1.6	06.99 - 10.02	74	AKL/APF/AEH/AUR
Cordoba (6L2)	1.6	04.03 -	74	BAH
	2.0	09.02 -	85	AZL/BBX
Cordoba Vario (6K5)	1.4	06.99 - 12.02	44	ANW/AKK/AUD
	1.4 16V	06.99 - 12.02	55	APE
	1.6	06.99 - 12.02	74	AKL/APF/AEH/AUR
Ibiza III (6K1)	1.0	08.99 - 02.02	37	ANV/ALD/AUC
	1.4 16V	05.00 - 02.02	55	APE/AUA
	1.4 16V	08.99 - 02.02	74	AUB/AQQ
	1.6	08.99 - 02.02	74	AKL/APF/AEH/AUR
Ibiza IV (6L1)	1.4 16V	02.02 -	74	AUB
Inca (6K9)	1.4 16V	04.00 - 06.03	55	AUA
Leon (1M1)	1.4 16V	11.99 - 06.06	55	AHW/AXPAPE
	1.6	11.99 - 06.06	74	AKL/AEH
	1.6 16V	09.00 - 06.06	77	AUS
	1.8 20V	11.99 - 06.06	92	AGN/APG
Toledo II (1M2)	1.4 16V	07.99 - 05.06	55	AHW/AXP
	1.6	04.99 - 09.00	74	AKL/AEH
	1.6 16V	09.00 - 05.06	77	AUS
	1.8 20V	04.99 - 05.06	92	AGN/APG
Toledo III (5P2)	1.6	10.04 - 05.09	75	BGU/CCSA/BSF/BSE
SKODA				
Fabia (6Y2)	1.4 16V	12.99 - 03.08	55	AUA
	1.4 16V	12.99 - 03.08	74	AUB
	2.0	12.99 - 03.08	85	AQY/AZL
Fabia Combi (6Y5)	1.4 16V	05.00 - 12.07	55	AUA
	1.4 16V	04.00 - 12.07	74	AUB
	2.0	04.00 - 12.07	85	AZL
Fabia Sedan (6Y3)	1.4 16V	10.99 - 12.07	55	AUA
	1.4 16V	12.99 - 12.07	74	AUB
	2.0	12.99 - 12.07	85	AZL
Octavia (1U2)	1.4 16V	09.00 -	55	AXP/BCA
	1.6	02.97 -	74	AKL/AEH
	1.6	11.00 -	75	AVU/BFQ
	1.8	09.96 -	92	AGN
	2.0	04.99 -	85	APK/AZH/AQY/AEG
Octavia (1Z3)	1.6	06.04 -	75	BGU/CCSA/BSF/BSE
Octavia Combi (1U5)	1.4 16V	08.00 -	55	AXP/BCA
	1.6	07.98 -	74	AKL/AEH
	1.6	09.00 -	75	AVU/BFQ
	1.8 20V	07.98 -	92	AGN
	2.0	04.99 -	85	APK/AZH/AQY/AEG
	2.0 4x4	01.00 -	88	ATF
2.0 4x4	05.01 -	85	AZH/AQY/AEG	
Octavia Combi (1Z5)	1.6	09.04 -	75	BGU/CCSA/BSF/BSE
Superb (3U4)	2.0	02.02 - 03.08	85	AZM
VW				
Bora (1J2)	1.4 16V	03.00 - 05.05	55	AHW/AXP/APE/AKQ
	1.6	10.98 - 05.05	74	AKL/APF/AEH
	1.6	08.00 - 05.05	75	AVU/BFQ
	1.6 16V	05.00 - 05.05	77	AUS/ATN
	1.8	10.98 - 05.05	92	AGN/BAF
	1.8 4motion	02.99 - 05.05	92	AGN
	2.0	10.98 - 05.05	85	APK/AZH/AQY
	2.0 4motion	04.00 - 05.05	85	AZH
	Bora Combi (1J6)	1.4 16V	09.01 - 05.05	55

CL002					
VW					
Bora Combi (1J6)	1.6	05.99 - 05.05	74	APF/AEH	
	1.6	08.00 - 05.05	75	AVU/BFQ	
	1.6 16V	02.00 - 05.05	77	AUS/ATN	
	1.8 4motion	05.99 - 05.05	92	AGN	
	2.0	05.99 - 05.05	85	APK/AZH/AQY	
	2.0 4motion	04.00 - 05.05	85	AZH	
	Caddy II 60 Van (9K9A)	1.4	11.95 - 01.04	44	AUD
Caddy II Combi (9K9B)	1.4	11.95 - 01.04	44	AUD	
	1.4 16V	08.00 - 01.04	55	AUA	
Caddy II Van (9K9A)	1.4	08.00 - 01.04	55	AUA	
Caddy III Combi	1.6	04.04 -	75	BGU/BSF/BSE	
Caddy III Van (2KA, 2KH)	1.6	04.04 -	75	BGU/BSF/BSE	
Fox (5Z1)	1.4	04.05 -	55	BKR	
Golf IV (1J1)	1.4 16V	08.97 - 06.05	55	AHW/AXP/APE/AKQ	
	1.6	08.97 - 02.00	74	AKL/APF/AEH	
	1.6	08.00 - 06.05	75	AVU/BFQ	
	1.6 16V	02.00 - 06.05	77	AUS/ATN	
	1.8	08.97 - 06.05	92	AGN/BAF	
	1.8 4motion	05.98 - 06.05	92	AGN	
	2.0	07.98 - 06.05	85	APK/AQY	
	2.0 4motion	10.00 - 06.05	85	AZH	
	Golf IV Variant (1J5)	1.4 16V	05.99 - 06.06	55	AHW/AXP/APE/AKQ
1.6		05.99 - 02.00	74	AKL/APF/AEH	
1.6		08.00 - 06.06	75	AVU	
1.6 16V		02.00 - 06.06	77	AUS/ATN	
1.8 4motion		05.99 - 06.06	92	AGN	
2.0		05.99 - 06.06	85	APK/AQY	
2.0 4motion	10.00 - 06.06	85	AZH		
Golf V (1K1)	1.6	01.04 -	75	BGU/BSF/BSE	
	1.0	09.98 - 07.05	37	ALD/ANV/AUC	
Lupo (6X1, 6E1)	1.4	10.00 - 07.05	44	AUD	
	1.4 16V	09.98 - 07.05	55	AHW/APE/AKQ/AUA	
	1.4 16V	08.99 - 07.05	74	ANM/AFK/AUB/AQQ	
	2.0	11.03 -	85	AXA	
Multivan V (7HM, 7HF)	1.6	10.99 - 09.00	74	AWH	
	1.6	06.00 -	75	AYD/BFS	
New Beetle (9C1, 1C1)	1.6	01.03 -	75	BFS	
	1.6	10.96 - 11.00	74	AHL/ARM/ANA	
New Beetle Cabrio (1Y7)	1.6	11.00 - 05.05	75	ALZ	
	2.0	11.00 - 05.05	85	AZM/BFF	
	2.0 4motion	11.00 - 05.05	85	AZM	
	Passat (3B2)	1.6	06.97 - 11.00	74	AHL/ARM/ANA
Passat Variant (3B5)	1.6	11.00 - 05.05	75	ALZ	
	2.0	11.00 - 05.05	85	AZM	
	2.0 4motion	11.00 - 05.05	85	AZM	
	1.6	10.99 - 09.01	37	ALD/AUC	
Polo (6N2)	1.4	10.99 - 09.01	40	AKP	
	1.4	10.99 - 09.01	44	AKK/AUD	
	1.4 16V	10.99 - 09.01	55	AHW/APE/AUA	
	1.4 16V	10.99 - 09.01	74	AFK/AUB/AQQ	
	1.6 16V GTI	10.99 - 09.01	92	AVY/ARC	
	1.4 16V	10.01 - 05.08	55	AUA	
	1.6 16V GTI	09.98 - 10.99	88	AJV	
	Polo Classic 60 (6KV2)	1.4	12.95 - 09.01	44	AKK/AUD
	Polo Classic 75 (6KV2)	1.4 16V	10.99 - 09.01	55	APE/AUA
Polo Classic 100 (6KV2)	1.6	12.95 - 09.01	74	AKL/APF/AEH/AUR	
	1.4	12.98 - 09.01	40	AKP	
Polo Variant (6KV5)	1.4	05.97 - 09.01	44	AKK/AUD	
	1.4 16V	10.99 - 09.01	55	APE/AUA	
	1.6	05.97 - 09.01	74	AKL/APF/AEH/AUR	
	1.6	05.97 - 09.01	74	AKL/APF/AEH/AUR	



CL002				
VW				
Touran (1T1, 1T2)	1.6	07.03 -	75	BGU/BSF/BSE
Transporter V Bus	2.0	11.03 -	85	AXA
Transporter V Flatbed	2.0	11.03 -	85	AXA
Transporter V Van	2.0	11.03 -	85	AXA



1 coil per cylinder

AUDI				
A2 (8Z0)	1.4	02.00 - 08.05	55	BBY
	1.6 FSI	05.02 - 08.05	81	BAD
A3 (8P1)	1.6 FSI	08.03 -	85	BLF/BLP/BAG
A3 Sportback (8PA)	1.6 FSI	09.04 -	85	BLF/BLP

SEAT				
Cordoba (6L2)	1.2	10.02 -	47	AZQ/BME
	1.4 16V	09.02 -	55	BBY
	1.4 16V	10.02 -	74	BBZ
Ibiza IV (6L1)	1.2	02.02 - 06.06	47	AZQ
	1.4 16V	02.02 - 12.07	55	BBY
	1.4 16V	02.02 -	74	BBZ
Leon (1M1)	1.4 16V	11.99 - 06.06	55	BCA
	1.6 16V	09.00 - 06.06	77	BCB/AZD
Toledo II (1M2)	1.6 16V	09.00 - 05.06	77	BCB/AZD

SKODA				
Fabia (6Y2)	1.2	01.03 - 03.08	47	AZQ/BME
	1.4 16V	12.99 - 03.08	55	BBY/BKY
	1.4 16V	12.99 - 03.08	74	BBZ
Fabia II	1.2	01.07 -	51	CEVA/BZG/CGPA
	1.4	01.07 -	63	BXW
	1.6	04.07 -	77	BTS
Fabia Combi (6Y5)	1.2	01.03 - 12.07	47	AZQ/BME
	1.4 16V	05.00 - 12.07	55	BBY/BKY
	1.4 16V	04.06 - 12.07	59	BUD
	1.4 16V	04.00 - 12.07	74	BBZ
Fabia II Combi	1.2	10.07 -	51	CEVA/BZG/CGPA
	1.4	10.07 -	63	BXW
	1.6	10.07 -	77	BTS
Fabia Praktik	1.2	01.03 -	47	AZQ/BME
Fabia Sedan (6Y3)	1.2	01.03 - 12.07	47	AZQ/BME
	1.4 16V	10.99 - 12.07	55	BBY/BKY
	1.4 16V	04.06 - 12.07	59	BUD
	1.4 16V	12.99 - 12.07	74	BBZ
Octavia (1Z3)	1.4	05.04 -	55	BCA
	1.4	06.04 -	59	BUD
	1.6 FSI	02.04 -	85	BLF
Octavia Combi (1Z5)	1.4	05.06 -	59	BUD
	1.6 FSI	02.04 -	85	BLF

CL003					
SKODA					
Praktik	1.2	03.07 -	51	BZG/CGPA	
	1.4	03.07 -	63	BXW	
	Roomster (5J)	1.2	05.06 - 01.07	47	BME
		1.2	01.07 -	51	BZG/CGPA
	1.4	09.06 -	63	BXW	
	1.6	09.06 -	77	BTS	
	Superb (3T4)	1.4 TSI	07.08 -	92	CAXC

VW				
Bora (1J2)	1.4 16V	03.00 - 05.05	55	BCA
	1.6 16V	05.00 - 05.05	77	BCB/AZD
	1.6 FSI	01.02 - 05.05	81	BAD
Bora Combi (1J6)	1.4 16V	09.01 - 05.05	55	BCA
	1.6 16V	02.00 - 05.05	77	BCB/AZD
	1.6 FSI	01.02 - 05.05	81	BAD
Caddy III Combi	1.4	03.04 -	55	BCA
Caddy III Van	1.4 16V	05.06 -	59	BUD
	1.4	03.04 -	55	BCA
Golf IV (1J1)	1.4 16V	05.06 -	59	BUD
	1.4 16V	08.97 - 06.05	55	BCA
	1.6 16V	02.00 - 06.05	77	BCB/AZD
Golf IV Variant (1J5)	1.6 FSI	01.02 - 06.05	81	BAD
	1.4 16V	05.99 - 06.06	55	BCA
	1.6 16V	02.00 - 06.06	77	BCB/AZD
Golf Plus (5M1, 521)	1.6 FSI	01.02 - 06.06	81	BAD
	1.4 16V	01.05 -	55	BCA
	1.4 16V	01.05 -	59	BUD/CGGA
	1.4 FSI	07.05 - 05.06	66	BLN
	1.4 TSI	06.07 -	90	CAXA
	1.4 TSI	05.06 -	103	BMY
	1.4 TSI	05.06 -	125	BLG
	1.6 FSI	01.05 -	85	BLF
	Golf V (1K1)	1.4 16V	10.03 -	55
	1.4 16V	05.06 -	59	BUD
	1.4 FSI	10.03 -	66	BKG/BLN
	1.4 TSI	05.06 -	103	BMY
	1.4 TSI	11.05 -	125	BLG
	1.6 FSI	10.03 -	85	BLF/BLP/BAG
	Golf V Variant (1K5)	1.4	06.07 -	59
	1.4 TSI	06.07 -	90	CAXA
	1.4 TSI	06.07 -	103	BMY
	1.4 TSI	06.07 -	125	BLG
Jetta III (1K2)	1.4 TSI	06.07 -	125	BLG
	1.4 TSI	07.06 -	103	BMY
	1.4 TSI	07.06 -	125	BLG
	1.6 FSI	09.05 -	85	BLF
	Lupo (6X1, 6E1)	1.4 16V	09.98 - 07.05	55
New Beetle (9C1, 1C1)	1.4	11.01 -	55	BCA
New Beetle Cabrio (1Y7)	1.4	01.03 -	55	BCA
Passat (3C2)	1.6 FSI	03.05 -	85	BLF
Passat Variant (3C5)	1.6 FSI	08.05 -	85	BLF
Polo (9N_)	1.2 12V	10.01 - 07.07	47	AZQ/BME
	1.4 16V	10.01 - 05.08	55	BBY
	1.4 16V	05.06 -	59	BUD
	1.4 16V	10.01 - 05.08	74	BBZ/AUB
Polo Sedan	1.4 FSI	02.02 - 07.06	63	AXU
	1.4	07.03 -	55	BBY/BKY
	1.4	11.03 -	74	BBZ
	Touran (1T1, 1T2)	1.4 TSI	02.06 -	103
	1.6 FSI	02.03 -	85	BLF/BLP/BAG

CL004



OEM-No.
VW 058 905 101
058 905 105

1 coil per cylinder, number of connectors: 3

AUDI

A3 (8L1)	1.8T quattro	12.96 -	110	AGU
A4 (8D2, B5)	1.8T	01.95 - 11.00	110	ARK/AEB/ANB/APU
	1.8T	12.97 - 11.00	132	AJL
	1.8T quattro	01.95 - 11.00	110	ARK/AEB/ANB/APU
	1.8T quattro	12.97 - 11.00	132	AJL
	S4 2.7 quattro	09.97 - 11.00	195	AGB/AZB
A4 Avant (8D5, B5)	1.8T	03.96 - 09.01	110	ARK/AEB/ANB/APU
	1.8T	12.97 - 09.01	132	AJL
	1.8T quattro	01.96 - 09.01	110	ARK/AEB/ANB/APU
	1.8T quattro	12.97 - 09.01	132	AJL
	S4 2.7 quattro	09.97 - 09.01	195	AGB/AZB
	RS4 2.7 quattro	05.00 - 09.01	280	AZR/ASJ
A6 (4A, C4)	S6 Plus 4.2 quat.	04.96 - 10.97	240	AHK
A6 (4B, C5)	1.8T	01.97 - 01.05	110	ARK/AEB/ANB/APU
	1.8T	12.97 - 01.05	132	AJL
	1.8T quattro	02.97 - 01.05	110	ARK/AEB/ANB/APU
	1.8T quattro	12.97 - 01.05	132	AJL
	2.7T	02.99 - 01.05	169	AJK
	2.7T quattro	12.97 - 01.05	169	AJK
	2.7T quattro	08.01 - 01.05	184	ARE
A6 Avant (4A, C4)	S6 Plus 4.2 quat.	04.96 - 12.97	240	AHK
A6 Avant (4B, C5)	1.8T	12.97 - 01.05	110	ARK/AEB/ANB/APU
	1.8T	04.99 - 01.05	132	AJL
	1.8T quattro	12.97 - 01.05	110	ARK/AEB/ANB/APU
	1.8T quattro	12.97 - 01.05	132	AJL
	2.7T	02.99 - 01.05	169	AJK
	2.7T quattro	08.01 - 01.05	184	ARE
A8 (4D2, 4D8)	S 8 4.2 quattro	07.96 - 06.99	250	AHC/AKH
Allroad (4BH)	2.7T quattro	05.00 - 08.05	184	ARE

SEAT

Alhambra (7V8, 7V9) 1.8T 20V 10.97 - 110 AWC/AJH

SKODA

Octavia (1U2)	1.8T	08.97 -	110	AGU
	1.8T 4x4	05.01 -	110	AGU
Octavia Combi (1U5)	1.8T	07.98 -	110	AGU
	1.8T 4x4	05.01 -	110	AGU

VW

Bora (1J2)	1.8T	05.00 - 05.05	110	AGU
Bora Combi (1J6)	1.8T	05.00 - 05.05	110	AGU
Golf IV (1J1)	1.8T	08.97 - 06.05	110	AGU
Golf IV Variant (1J5)	1.8T	05.00 - 06.06	110	AGU
Passat (3B2)	1.8T	10.96 - 11.00	110	AEB/ANB/APU
Passat Variant (3B5)	1.8T	06.97 - 11.00	110	AEB/ANB/APU
Sharan (7M8, 7M9, 7M6)	1.8T 20V	09.97 -	110	AJH

CL005



OEM-No.
VW 06A 905 115 06B 905 115 N
06A 905 115 A 06B 905 115 R
06A 905 115 B 06C 905 115 B
06A 905 115 C 06C 905 115 D
06B 905 115 D 06C 905 115 E
06B 905 115 G 06C 905 115 F
06B 905 115 H 06C 905 115 G
06B 905 115 J 06C 905 115 H
06B 905 115 L 06C 905 115 K
06B 905 115 M 06C 905 115 L

1 coil per cylinder, number of connectors: 4

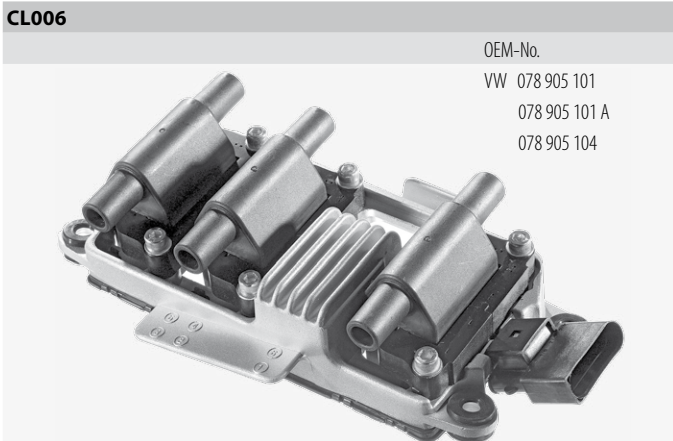
AUDI

A3 (8L1)	1.8T	12.98 -	132	AJQ/APP
	1.8T quattro	12.96 - 07.98	110	ARX
	S3 1.8 quattro	03.99 -	154	AMK/APY
	S3 1.8 quattro	10.01 -	165	BAM
A4 (8D2, B5)	1.8T	01.95 - 11.00	110	AWT
	1.8T quattro	01.95 - 11.00	110	AWT
A4 (8E2, B6)	1.8T	11.00 - 07.02	110	AVJ
	1.8T	07.02 - 12.04	120	BFB/BKB
	1.8T	11.02 - 12.04	140	BEX
	1.8T quattro	11.00 - 07.02	110	AVJ
	1.8T quattro	07.02 - 12.04	120	BFB
	1.8T quattro	11.02 - 12.04	140	BEX
A4 (8EC)	1.8T	11.04 -	120	BFB
	1.8T quattro	11.04 -	120	BFB
	2.0	11.04 -	96	ALT
A4 Avant (8D5, B5)	1.8T	03.96 - 09.01	110	AWT
	1.8T quattro	01.96 - 09.01	110	AWT
A4 Avant (8E5, B6)	1.8T	09.01 - 07.02	110	AVJ
	1.8T	07.02 - 12.04	120	BFB
	1.8T	11.02 - 12.04	140	BEX
	1.8T quattro	09.01 - 07.02	110	AVJ
	1.8T quattro	07.02 - 12.04	120	BFB
	1.8T quattro	11.02 - 12.04	140	BEX
A4 Avant (8ED)	1.8T	11.04 -	120	BFB
	1.8T quattro	11.04 -	120	BFB
	2.0	11.04 -	96	ALT
A4 Cabrio (8H7, 8HE)	1.8T	07.02 -	120	BFB
	1.8T quattro	05.03 -	120	BFB
A6 (4B, C5)	1.8T	01.97 - 01.05	110	AWT
	1.8T quattro	02.97 - 01.05	110	AWT
	2.7T quattro	08.01 - 01.05	184	BES
A6 Avant (4B, C5)	1.8T	12.97 - 01.05	110	AWT
	1.8T quattro	12.97 - 01.05	110	AWT
	2.7T quattro	08.01 - 01.05	184	BES
TT(8N3)	1.8T	09.02 - 06.06	110	AUM
	1.8T	08.00 - 06.06	132	ARY/AUQ
	1.8T quattro	10.98 - 06.06	132	ARY
	1.8T quattro	10.98 - 06.06	165	BAM
TT Roadster (8N9)	1.8T	01.01 - 06.06	110	AUM
	1.8T	08.00 - 06.06	132	APP/AUQ

CL005



CL005				
AUDI				
TT Roadster (8N9)	1.8 T quattro	02.00 - 06.06	132	ARY
	1.8 T quattro	10.99 - 06.06	165	BAM/APX
SEAT				
Ibiza III (6K1)	1.8 T 20V Cupra	07.00 - 02.02	115	AYP/AQX
Leon (1M1)	1.8 20VT	11.99 - 06.06	132	APP/AUQ
	1.8 20VT 4	11.99 - 06.06	132	ARY
	1.8 T Cupra R	02.02 - 06.06	154	AMK
	1.8 T Cupra R	07.03 - 06.06	165	BAM
Toledo II (1M2)	1.8 20VT	05.01 - 05.06	132	AUQ
SKODA				
Octavia (1U2)	1.8 T	08.97 -	110	ARX/ARZ/AUM
	1.8 T 4x4	05.01 -	110	ARX/AUM
Octavia RS (1U2)	1.8 T	05.01 -	132	AUQ
Octavia Combi (1U5)	1.8 T	07.98 -	110	ARX/ARZ/AUM
	1.8 T 4x4	05.01 -	110	ARX/AUM
Octavia Combi RS (1U5)	1.8 T	08.02 -	132	AUQ
Superb (3U4)	1.8 T	02.02 - 03.08	110	AWT
VW				
Bora (1J2)	1.8 T	05.00 - 05.05	110	ARX/AUM
	1.8 T	03.02 - 05.05	132	AUQ
Bora Combi (1J6)	1.8 T	05.00 - 05.05	110	ARX/AUM
	1.8 T	05.02 - 05.05	132	AUQ
Golf IV (1J1)	1.8 T	08.97 - 06.05	110	AUM
	1.8 T GTI	08.01 - 06.05	132	AUQ
Golf IV Variant (1J5)	1.8 T	05.00 - 06.06	110	AUM
New Beetle (9C1, 1C1)	1.8 T	10.99 -	110	AWV/APH/AVC/AWU
New Beetle Cabrio (1Y7)	1.8 T	01.03 -	110	AWU
Passat (3B3)	1.8 T 20V	11.00 - 05.05	110	AWT/AWL
	2.0	11.01 - 05.05	96	ALT
Passat Variant (3B6)	1.8 T 20V	11.00 - 05.05	110	AWT
	2.0	11.01 - 05.05	96	ALT

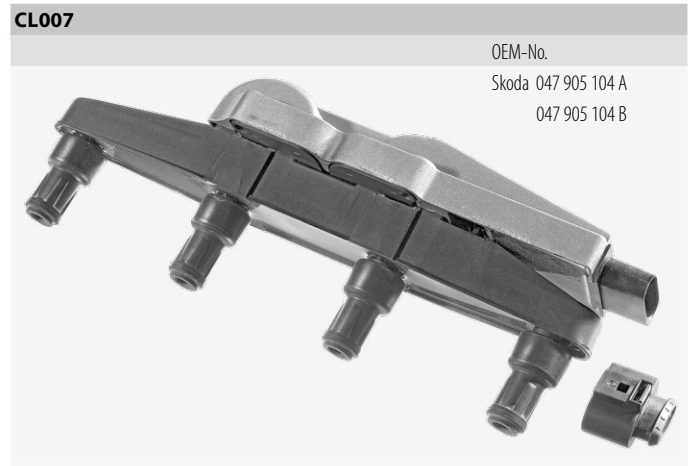


number of connectors: 5

AUDI				
A4 (8D2, B5)	2.4	03.97 - 11.00	121	AML/ARJ/ALF/AGA/APS
	2.6	01.95 - 11.00	110	ABC
	2.8	10.96 - 11.00	142	APR/ACK/ALG/AQD/AMX
	2.4 quattro	03.97 - 11.00	121	AML/ARJ/ALF/AGA/APS
	2.6 quattro	01.95 - 11.00	110	ABC
	2.8 quattro	10.96 - 11.00	142	APR/ACK/ALG/AQD/AMX
A4 Avant (8D5, B5)	2.4	03.97 - 09.01	121	AML/ARJ/ALF/AGA/APS
	2.6	02.96 - 09.01	110	ABC
	2.8	10.96 - 09.01	142	APR/ACK/ALG/AQD/AMX
	2.4 quattro	03.97 - 09.01	121	AML/ARJ/ALF/AGA/APS
	2.6 quattro	01.96 - 09.01	110	ABC
	2.8 quattro	10.96 - 09.01	142	APR/ACK/ALG/AQD/AMX

CL006				
AUDI				
A6 (4A, C4)	2.8	12.95 - 10.97	142	ACK
	2.8 quattro	12.95 - 10.97	142	ACK
A6 (4B, C5)	2.4	07.98 - 01.05	100	ARN/ASM/ALW
	2.4	02.97 - 01.05	120	AMM/APZ/AJG
	2.4	02.97 - 01.05	121	AML/ARJ/ALF/AGA/APS
	2.4	08.01 - 01.05	125	BDV
	2.8	10.97 - 07.98	132	AGE
	2.8	02.97 - 01.05	142	APR/ACK/ALG/AQD/AMX
	2.4 quattro	02.97 - 01.05	120	APZ/AJG
	2.4 quattro	02.97 - 01.05	121	AML/ARJ/ALF/AGA/APS
	2.4 quattro	08.01 - 01.05	125	BDV
	2.7 T quattro	08.01 - 01.05	184	BES/ARE
A6 Avant (4A, C4)	2.8	12.95 - 12.97	142	ACK
	2.8 quattro	12.95 - 12.97	142	ACK
A6 Avant (4B, C5)	2.4	07.98 - 01.05	100	ARN/ASM/ALW
	2.4	12.97 - 01.05	120	AMM/APZ/AJG
	2.4	12.97 - 01.05	121	AML/ARJ/ALF/AGA/APS
	2.4	08.01 - 01.05	125	BDV
	2.8	12.97 - 07.98	132	AGE
	2.8	12.97 - 01.05	142	APR/ACK/ALG/AQD/AMX
	2.4 quattro	12.97 - 01.05	120	APZ/AJG
	2.4 quattro	12.97 - 01.05	121	AML/ARJ/ALF/AGA/APS
	2.4 quattro	08.01 - 01.05	125	BDV
	2.8 quattro	12.97 - 01.05	142	APR/ACK/ALG/AQD/AMX
A8 (4D2, 4D8)	2.8	04.96 - 09.02	142	APR/ACK/ALG/AQD/AMX
	2.8 quattro	04.96 - 09.02	142	APR/ACK/AQD/AMX
Cabrio (8G7, B4)	2.6	06.93 - 08.00	110	ABC
	2.8	11.92 - 08.00	128	AAH
Coupe (89, 8B)	2.6	08.92 - 12.96	110	ABC
	2.8	09.91 - 12.96	128	AAH
	2.6 quattro	08.92 - 12.96	110	ABC
	2.8 quattro	08.91 - 12.96	128	AAH

SKODA				
Superb (3U4)	2.8 V6	02.02 - 03.08	142	AMX
VW				
Passat (3B2)	2.8 V6	08.96 - 11.00	142	APR/ACK/AQD
	2.8 V6 4motion	10.96 - 11.00	142	APR/ACK/ALG/AQD
Passat (3B3)	2.8	05.02 - 05.03	142	ATQ/AMX
	2.8 4motion	11.00 - 05.05	142	ATQ/AMX
Passat Variant (3B5)	2.8 V6	06.97 - 11.00	142	APR/ACK/AQD
	2.8 V6 4motion	06.97 - 11.00	142	APR/ACK/ALG/AQD
Passat Variant (3B6)	2.8 4motion	11.00 - 05.05	142	ATQ/AMX



CL007

CL007

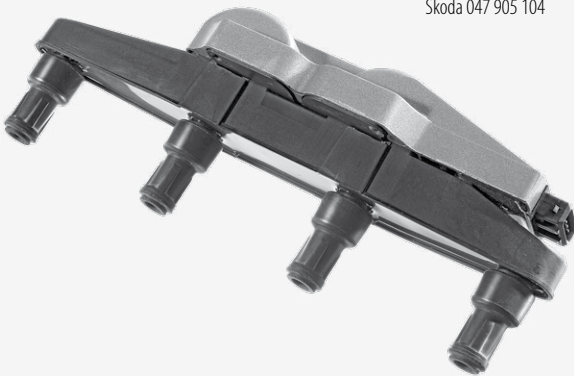
SKODA

Fabia (6Y2)	1.0	12.99 - 08.02	37	ATY/AQV/ARV
	1.4	08.00 - 08.02	44	AZF/AZE
	1.4	08.99 - 03.08	50	AME/ATZ/AQW
Fabia Combi (6Y5)	1.4	04.00 - 12.07	44	AZF/AZE
	1.4	04.00 - 12.07	50	AME/ATZ/AQW
Fabia Praktik	1.4	04.02 -	50	AME/ATZ/AQW
Fabia Sedan (6Y3)	1.4	04.00 - 08.02	44	AZF/AZE
	1.4	07.01 - 12.07	50	AME/AQW
Octavia (1U2)	1.4	04.99 -	44	AMD

CL008

OEM-No.

Skoda 047 905 104



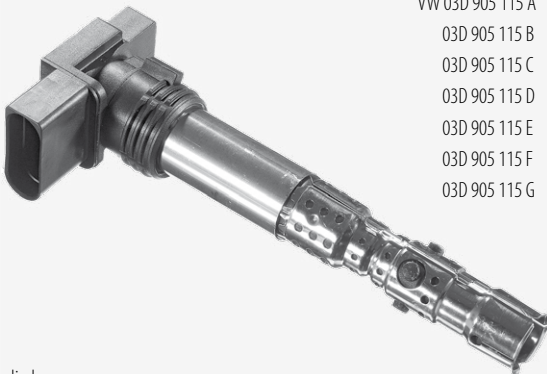
SKODA

Felicia II (6U1)	1.3	01.98 - 06.01	40	AMG
	1.3	01.98 - 06.01	43	AMJ
	1.3	01.98 - 06.01	50	AMH
Felicia II Combi (6U5)	1.3	01.98 - 06.01	50	AMH

CL009

OEM-No.

VW 03D 905 115 A
03D 905 115 B
03D 905 115 C
03D 905 115 D
03D 905 115 E
03D 905 115 F
03D 905 115 G



1 coil per cylinder

SKODA

Fabia (6Y2)	1.2	08.02 - 03.08	40	AWY/BMD
Fabia II	1.2	12.06 -	44	BBM/CHFA
Fabia Combi (6Y5)	1.2	07.01 - 12.07	40	AWY/BMD
Fabia II Combi	1.2	10.07 -	44	BBM/CHFA
Fabia Praktik	1.2	05.03 -	40	AWY/BMD
Fabia Sedan (6Y3)	1.2	07.01 - 12.07	40	AWY/BMD

VW

Fox (5Z1)	1.2	04.05 -	40	BMD
Polo (9N_)	1.2	01.02 - 05.07	40	AWY/BMD

CL010

OEM-No.

VW 06A 905 097
06A 905 104



SKODA

Octavia Combi (1U5)	2.0	04.99 -	85	AZJ
	2.0 4x4	05.01 -	85	AZJ

VW

Bora (1J2)	2.0	10.98 - 05.05	85	AZJ/AZG
	2.0 4motion	04.00 - 05.05	85	AZJ
Bora Combi (1J6)	2.0	05.99 - 05.05	85	AZJ/AZG
	2.0 4motion	04.00 - 05.05	85	AZJ
Caddy III Combi	2.0 EcoFuel	04.06 -	80	BSX
Caddy III Van	2.0 EcoFuel	04.06 -	80	BSX
Golf IV (1J1)	2.0	07.98 - 06.05	85	AZJ/AZG
	2.0 4motion	10.00 - 06.05	85	AZJ
Golf IV Variant (1J5)	2.0	05.99 - 06.06	85	AZJ
	2.0 4motion	10.00 - 06.06	85	AZJ
New Beetle (9C1, 1C1)	2.0	01.98 -	85	AZG
New Beetle Cabrio (1Y7)	2.0	09.02 -	85	AZJ
Touran (1T1, 1T2)	2.0 EcoFuel	02.06 -	80	BSX

CL011

OEM-No.

VAG 06F 905 115
06F 905 115 A
06F 905 115 B
06F 905 115 C
06F 905 115 E
06F 905 115 F
07K 905 715
07K 905 715 C
07K 905 715 D
07K 905 715 F



1 coil per cylinder

AUDI

A3 (8P1)	2.0 TFSI	09.04 -	147	BWA/AXX/CAWB
	2.0 TFSI quattro	09.04 -	147	BWA/AXX
A3 Sportback (8PA)	2.0 TFSI	09.04 -	147	BWA/AXX/CAWB
	2.0 TFSI quattro	09.04 -	147	BWA/AXX
A4 (8EC)	2.0 TFSI	11.04 -	147	BGB/BWE
	2.0 TFSI	06.05 -	162	BUL
	2.0 TFSI quattro	11.04 -	147	BGB/BWE
	2.0 TFSI quattro	06.05 -	162	BUL
A4 Avant (8ED)	2.0 TFSI	11.04 -	147	BGB/BWE
	2.0 TFSI	06.05 -	162	BUL
	2.0 TFSI quattro	11.04 -	147	BGB/BWE
	2.0 TFSI quattro	06.05 -	162	BUL
A4 Cabrio (8H7, 8HE)	2.0 TFSI 16V	01.06 -	147	BWE

CL011

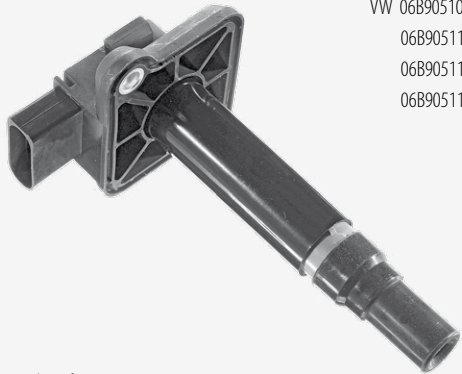


CL011			
AUDI			
A6 (4F2)	2.0TFSI	06.05 -	125 BPJ
A6 Avant (4F5)	2.0TFSI	06.05 -	125 BPJ
SEAT			
Altea (5P1)	2.0 FSI	05.04 -	110 BLR/BLY/BVZ/BVY
	2.0TFSI	04.06 -	147 BWA
Leon (1P1)	2.0 FSI	07.05 -	110 BLR/BLY/BVZ/BVY
	2.0TFSI	05.05 -	147 BWA
Toledo III (5P2)	2.0 FSI	10.04 -	110 BLR/BLY/BVZ/BVY
SKODA			
Octavia (1Z3)	1.8 TSI	06.07 -	118 BZB
	2.0 FSI	11.04 -	110 BVX/BLY/BLR/BVZ/BVY
	2.0 RS	10.05 -	147 BWA/CCZA
Octavia Combi (1Z5)	1.8 TSI	06.07 -	118 BZB
	2.0 FSI	11.04 -	110 BVX/BLY/BLR/BVZ/BVY
	2.0 FSI 4x4	11.04 -	110 BVX/BLY/BLX
	2.0 RS	10.05 -	147 BWA/CCZA
Superb (3T4)	1.8 TSI	03.08 -	118 BZB/CDA
	1.8 TSI 4x4	11.08 -	118 CDA
VW			
Eos	2.0 FSI	03.06 -	110 BVZ/BVY
	2.0TFSI	03.06 -	147 BWA
Golf Plus (5M1, 521)	2.0 FSI	05.05 -	110 BLY/BLR/BVZ/BVY
Golf V (1K1)	2.0 FSI	01.04 -	110 BVX/-Y/-Z/ BLX/-Y/-R/ AXW
	2.0 FSI 4motion	08.04 -	110 BVX/BLX
	2.0 GTI	10.04 -	147 BWA/AXX
Jetta III (1K2)	2.0 FSI	08.05 -	110 BLY/BLR/BVZ/BVY
	2.0TFSI	10.05 -	147 BWA/BPY/CCTA
Passat (3C2)	2.0 FSI	03.05 -	110 BLY/BLR/BVZ/BVY
	2.0 FSI 4motion	09.05 -	110 BVX/BLX/BLY
Passat (3C2)	2.0TFSI	07.05 -	147 BWA/BPY/AXX CBFA/CAWB/CCTA
Passat Variant (3C5)	2.0 FSI 4motion	09.05 -	110 BVX/BLX/BLY
Passat Variant (3C5)	2.0TFSI	08.05 -	147 BWA/BPY/AXX CBFA/CAWB/CCTA
Touran (1T1, 1T2)	2.0 FSI	10.03 -	110 BLX/BLY/BLR/AXW

CL012			
		OEM-No.	Skoda 115 914 010
			
SKODA			
130 G, GL (S136)	1.3	05.88 - 10.91	46
130 GL	1.3	08.87 - 10.91	39
130 GL (S135)	1.3	05.88 - 10.91	43 135/8
130 L, GL	1.3	02.85 - 10.91	45 742,13
130G Rapid	1.3	08.87 - 10.91	39
	1.3	03.85 - 08.88	45 742,13
135 Favorit (781)	1.3 carb	01.90 - 09.94	40 781.135E
	1.3 carb	12.91 - 09.94	42 781.135

CL012			
AUDI			
135 Favorit (781)	1.3 carb	05.89 - 09.94	43 781.135
	1.3 carb	12.91 - 09.94	43 781.135
	1.3 carb	10.90 - 09.94	44 781.135
135 Forman (785)	1.3 carb	09.91 - 06.95	40 781.135E
	1.3 carb	12.91 - 06.95	44 781.135
135 Pick-up (787)	1.3 carb	12.92 - 06.97	40 135B
	1.3 carb	12.92 - 06.97	42 781.135
135 GL Rapid	1.3	09.84 - 12.90	43 135/8
136 Favorit (781)	1.3 carb	10.90 - 09.94	45 136 L
136 Forman (785)	1.3 carb	08.91 - 06.95	45 OHC
136 Pick-up (787)	1.3 carb	12.92 - 06.97	50 136B

CL013			
		OEM-No.	Skoda 047 905 115
			
SKODA			
Felicia I (6U1)	1.3 carb	10.94 - 03.98	40 135B/AMG
	1.3 carb	10.94 - 03.98	43 AMJ/135 L
Felicia I Combi (6U5)	1.3 carb	08.95 - 03.98	40 135B/AMG
	1.3 carb	08.95 - 03.98	43 AMJ/135 L
Felicia I Fun (797)	1.3 carb	06.97 -	40 135B/135M
	1.3 carb	10.95 - 04.02	43 AMJ

CL014			
		OEM-No.	VW 06B905105 06B905115 06B905115B 06B905115E
			
1 coil per cylinder, number of connectors: 4, screw mounting			
AUDI			
A3 (8L1)	1.8T	12.96 -	110 ARZ/AQA/AGU/AUM
	1.8T	12.98 -	132 ARY/AUQ
	1.8T quattro	08.98 - 04.01	110 AQA
	1.8T quattro	10.98 -	132 AJQ/ARY
A6 (4B, C5)	3.7	03.99 - 01.05	191 AQG
	1.8	07.97 - 01.05	92 ANQ/ARH/AJP/AQE
	3.7 quattro	03.99 - 01.05	191 AQG
	4.2 quattro	11.98 - 01.05	220 AWN/ARS/ASG
	S6 4.2 quattro	09.99 - 01.05	250 AQJ/ANK

CL014

AUDI

A6 Avant (4B, C5)	1.8	12.97 - 01.05	92	ARH/AJP/AQE
	4.2 quattro	11.98 - 01.05	220	AWN/ARS/ASG
	S6 4.2 quattro	09.99 - 01.05	250	AQJ/ANK
A8 (4D2, 4D8)	3.7	11.98 - 09.02	191	AKC/AQG
	3.7 quattro	11.98 - 09.02	191	AKC/AQG
	4.2 quattro	02.99 - 04.00	175	ARU
	4.2 quattro	11.98 - 09.02	228	AUW/AQF/AUX
	S 8 4.2 quattro	06.99 - 09.02	265	AQH/AVP
TT (8N3)	1.8T	09.02 - 06.06	110	AUM
	1.8T	10.98 - 06.06	132	AJQ/APP
	1.8T quattro	10.98 - 06.06	132	AJQ
	1.8T quattro	10.98 - 06.06	165	BAM/APX
TT Roadster (8N9)	1.8T	10.99 - 06.06	132	AJQ/APP

VW

Sharan (7M8, 7M9, 7M6)	1.8T 20V	04.00 -	110	AWC
------------------------	----------	---------	-----	-----

CL015

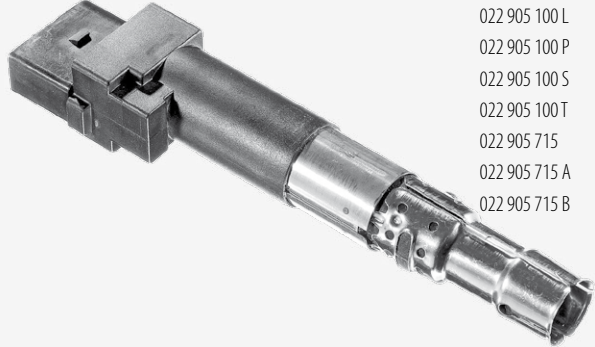
	OEM-No.			
	VAG 06C 905 115 E			
	06E 905 115			
	06E 905 115 A			
	06E 905 115 B			
	06E 905 115 C			
	06E 905 115 D			
	06E 905 115 E			

1 coil per cylinder

AUDI

A4 (8E2, B6)	2.0	11.00 - 12.04	96	ALT
	3.0	11.00 - 12.04	162	ASN/AVK
	3.0 quattro	11.00 - 12.04	162	ASN/AVK
A4 (8EC)	3.2 FSI	01.05 -	188	AUK
	3.2 FSI quattro	01.05 -	188	AUK/BKH
A4 Avant (8E5, B6)	2.0	09.01 - 12.04	96	ALT
	3.0	09.01 - 12.04	162	ASN
	3.0 quattro	09.01 - 12.04	162	ASN/AVK
A4 Avant (8ED)	3.2 FSI	01.05 -	188	AUK
	3.2 FSI quattro	01.05 -	188	AUK
A4 Cabrio (8H7, 8HE)	3.0	04.02 - 12.05	162	ASN
	3.0 quattro	05.03 - 12.05	162	ASN
A6 (4B, C5)	2.0	08.01 - 01.05	96	ALT
	3.0	08.01 - 01.05	162	ASN
	3.0 quattro	08.01 - 01.05	162	ASN
A6 (4F2)	2.4	05.04 - 10.08	130	BDW
	2.4 quattro	01.05 - 10.08	130	BDW
	3.2 FSI	05.04 - 10.08	188	AUK/BKH
	3.2 FSI quattro	05.04 - 10.08	188	AUK/BKH
A6 Avant (4B, C5)	2.0	08.01 - 01.05	96	ALT
	3.0	08.01 - 01.05	162	ASN
	3.0 quattro	08.01 - 01.05	162	ASN
A6 Avant (4F5)	2.4	03.05 - 10.08	130	BDW
	2.4 quattro	03.05 - 10.08	130	BDW
	3.2 FSI	03.05 - 10.08	188	AUK
	3.2 FSI quattro	03.05 - 10.08	188	AUK
A8 (4E_)	3.0	08.03 -	162	ASN
Q7 (4L)	4.2 FSI	03.06 -	257	BAR

CL016

	OEM-No.			
	Porsche 955 602 101 05	VW 022 905 100 B		
		022 905 100 E		
		022 905 100 H		
		022 905 100 L		
		022 905 100 P		
		022 905 100 S		
		022 905 100 T		
		022 905 715		
		022 905 715 A		
		022 905 715 B		

1 coil per cylinder

AUDI

A3 (8P1)	3.2V6 quattro	07.03 -	184	BDB/BMJ/BUB
A3 Sportback (8PA)	3.2V6 quattro	09.04 -	184	BMJ/BUB
TT (8N3)	3.2VR6 quattro	07.03 - 06.06	184	BPF/BHE
TT Roadster (8N9)	3.2VR6 quattro	07.03 - 06.06	184	BPF/BHE

PORSCHE

Cayenne (955)	3.2	10.03 -	184	M02.2Y
---------------	-----	---------	-----	--------

VW

Eos	3.2V6	06.06 -	184	CBRA/BUB
Golf IV (1J1)	3.2 R32 4motion	09.02 - 06.05	177	BFH/BML
Golf V (1K1)	3.2 R32 4motion	11.05 -	184	CBR/CBRA/BUB
Phaeton (3D2)	3.2V6	04.02 -	177	AYT/BKL
	3.2V6 4motion	02.04 -	177	BRK/BKL
Touareg (7LA, 7L6, 7L7)	3.2V6	10.02 - 11.06	162	AZZ/BKJ/BAA
	3.2V6	11.04 - 11.06	177	BMX
	3.6V6 FSI	03.06 -	206	BHL/BHK
Transporter V Bus	3.2 4motion	11.03 -	173	BKK/CFLA
	3.2V6	02.04 - 06.04	170	BDL
	3.2V6	02.04 -	173	BKK/CFLA
Transporter V Flatbed	3.2V6	02.04 -	170	BDL
	3.2V6	08.03 -	173	BKK
Transporter V Van	3.2 4motion	11.03 -	173	BKK/CFLA
	3.2V6	04.03 -	170	BDL
	3.2V6	02.04 -	173	BKK/CFLA

CL017

	OEM-No.			
	VAG 077 905 115 Q			
	077 905 115 S			

1 coil per cylinder

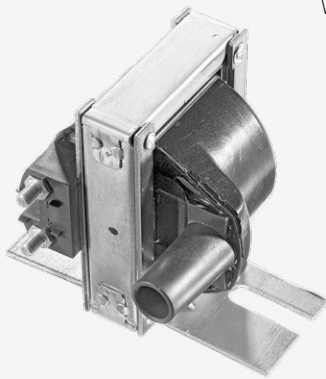
AUDI

Allroad (4BH)	4.2V8 quattro	07.02 - 08.05	220	BAS
---------------	---------------	---------------	-----	-----

VW

Phaeton (3D2)	4.2V8 4motion	05.03 -	246	BGJ/BGH
Touareg	4.2V8	12.02 - 11.06	228	AXQ/BXH

CL018



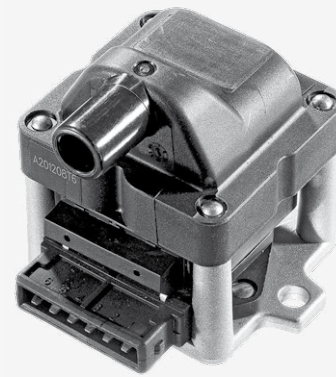
OEM-No.
VW 191 905 115 A
211 905 115 D
811 905 115

number of connectors: 2

VW

Golf I Cabrio (155)	1.8	08.83 - 04.93	70	JH
Golf II (19E, 1G1)	1.0	08.85 - 10.91	37	HZ
	1.3 cat	06.86 - 12.92	40	NZ/2G/MH
	1.6	10.86 - 12.92	51	PN
	1.6	02.86 - 10.91	53	RF
	1.6	08.83 - 07.92	55	HM/ABN/EZ
	1.8	08.86 - 01.90	62	RH
	1.8 Syncro	02.86 - 07.91	66	GX/GU
	1.8 Syncro	08.88 - 07.91	72	1P
	1.8 GTI	08.83 - 10.91	82	EV/GZ/PB/DX
	1.8 GTI cat	01.87 - 10.91	79	PF
	1.8 GTI 16V	02.86 - 10.91	95	PL
	1.8 GTI 16V	02.86 - 06.90	102	KR
Jetta II (19E, 1G2)	1.3 cat	06.87 - 12.91	40	NZ/2G/MH
	1.8	08.86 - 01.90	62	RH
	1.8	08.84 - 10.91	66	GX/GU/HV
	1.8	08.85 - 10.87	79	RD
	1.8 16V	08.86 - 10.91	95	PL
Passat (32B)	1.6	08.80 - 03.88	55	DT
Passat (3A2, 35I)	1.6	02.88 - 12.88	55	EZ
	1.8	04.88 - 07.92	82	PB
	1.8 16V	04.88 - 12.89	100	KR
Passat Sedan (32B)	1.6	01.85 - 03.88	55	DT
	1.8	01.85 - 03.88	66	DS/JN
Passat Variant (32B)	1.6	08.80 - 03.88	55	WV/YN
	1.8 Syncro	01.86 - 03.88	66	DS/JN
	2.0 Syncro	05.84 - 03.88	85	JS
Passat Variant (3A5, 35I)	1.6	04.88 - 12.88	55	EZ
	1.8	04.88 - 07.92	82	PB
	1.8 16V	04.88 - 12.89	100	KR
Polo (86C, 80)	1.3	09.82 - 09.89	55	GK
	1.3 cat	07.87 - 10.90	40	NZ/2G/MH/AAV
Scirocco (53B)	1.6	01.83 - 12.89	55	EW

CL019



OEM-No.
VW 701 905 104
701 905 104 A
867 905 105 A

number of connectors: 6

AUDI

80 Combi (8C, B4)	2.0 E	07.92 - 01.96	85	ABK
-------------------	-------	---------------	----	-----

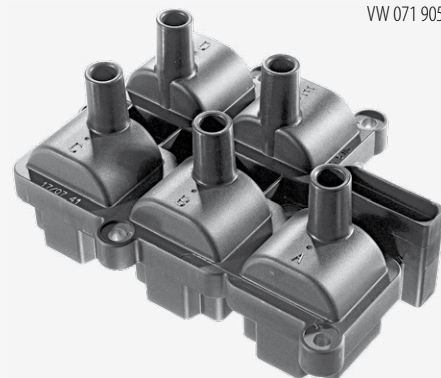
SEAT

Cordoba (6K2/C2)	1.8 i 16V	10.93 - 08.96	95	ADL
Ibiza II (6K1)	1.8 i	03.93 - 08.99	66	ADZ/ABS
Toledo I (1L)	2.0 i	05.91 - 03.99	85	2E/AGG
	2.0 i 16V	11.93 - 03.99	110	ABF

VW

Golf II (19E, 1G1)	1.3 cat	06.86 - 12.92	40	NZ/2G/MH
Passat (3A2, 35I)	2.0	02.90 - 08.96	85	ADY/2E/AGG
	2.0 Syncro	10.90 - 08.96	85	ADY/2E/AGG
Passat Variant (3A5, 35I)	2.0	02.90 - 05.97	85	ADY/2E/AGG
	2.0 Syncro	10.90 - 05.97	85	ADY/2E/AGG
Polo (86C, 80)	1.0	08.85 - 01.92	33	HZ
	1.3 cat	10.90 - 09.94	40	NZ/2G
Polo Classic (86C, 80)	1.0	01.85 - 09.94	33	AAU/HZ/AAK
	1.3 cat	07.87 - 09.94	40	NZ/MH
Polo Coupe (86C, 80)	1.0	08.85 - 01.92	33	HZ
	1.0 cat	08.89 - 09.94	33	AAU/AAK/ACM
	1.3 cat	07.87 - 08.94	40	NZ/2G/MH/AAV
Polo Van (86CF)	1.3	08.92 - 07.94	40	AAV
Transporter IV Bus	1.8	12.90 - 07.92	49	PD
	2.0	09.90 - 04.03	62	AAC
Transporter IV Flatbed	2.0	07.90 - 04.03	62	AAC
Transporter IV Van	2.0	07.90 - 04.03	62	AAC
Vento (1H2)	1.6	09.92 - 09.98	55	ABU/AEA/AEE

CL020



OEM-No.
VW 071 905 106

SEAT

Toledo II (1M2)	2.3V5	04.99 - 05.01	110	AGZ
-----------------	-------	---------------	-----	-----

VW

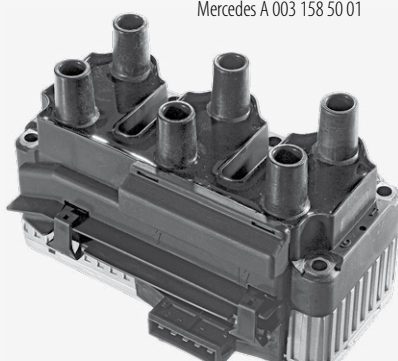
Bora (1J2)	2.3V5	10.98 - 10.00	110	AGZ
	2.3V5	10.00 - 05.05	125	AQN

CL020



CL020				
VW				
Bora (1J2)	2.3 V5 4motion	12.98 - 10.00	110	AGZ
	2.3 V5 4motion	10.00 - 05.05	125	AQN
Bora Combi (1J6)	2.3 V5	05.99 - 10.00	110	AGZ
	2.3 V5	10.00 - 05.05	125	AQN
	2.3 V5 4motion	05.99 - 10.00	110	AGZ
	2.3 V5 4motion	10.00 - 05.05	125	AQN
Golf IV (1J1)	2.3 V5	08.97 - 10.00	110	AGZ
	2.3 V5	10.00 - 06.05	125	AQN
	2.3 V5 4motion	12.98 - 10.00	110	AGZ
	2.3 V5 4motion	10.00 - 06.05	125	AQN
Golf IV Variant (1J5)	2.3 V5	05.99 - 06.06	110	AGZ
	2.3 V5	10.00 - 06.06	125	AQN
	2.3 V5 4motion	05.99 - 06.06	110	AGZ
	2.3 V5 4motion	10.00 - 06.06	125	AQN
Passat (3B2)	2.3 VR5	10.96 - 11.00	110	AGZ
	2.3 VR5 4motion	10.97 - 11.00	110	AGZ
Passat Variant (3B5)	2.3 VR5	06.97 - 11.00	110	AGZ
	2.3 VR5 4motion	10.97 - 11.00	110	AGZ

CL021				
OEM-No.				
	Ford 1008464	VW 021 905 106		
	Ford 95VW 12029 AA	VW 021 905 106 A		
	Mercedes 003 158 50 01	VW 310 880 01		
	Mercedes A 003 158 50 01			




FORD				
Galaxy (WGR)	2.8 iV6	11.95 - 04.00	128	AAA/AMY
	2.8 iV6 4x4	04.96 - 04.00	128	AAA/AMY

MERCEDES				
V 280 (638/2)	2.8	08.97 - 07.03	128	M 104.900

VW				
Golf III (1H1)	2.8 VR6	01.92 - 08.97	128	AAA
	2.9 VR6 Syncro	10.94 - 08.97	140	ABV
Golf III Variant (1H5)	2.9 VR6	10.94 - 04.99	140	ABV
	2.9 VR6 Syncro	10.94 - 04.99	140	ABV
Passat (3A2, 35I)	2.8 VR6	06.91 - 08.96	128	AAA
Passat Variant (3A5, 35I)	2.8 VR6	06.91 - 05.97	128	AAA
	2.9 VR6 Syncro	01.94 - 05.97	135	ABV
	2.8 VR6 Syncro	11.96 - 04.00	128	AAA/AMY
Sharan (7M8, 7M9, 7M6)	2.8 VR6	09.95 - 04.00	128	AAA/AMY
	2.8 VR6 Syncro	11.96 - 04.00	128	AAA/AMY
	2.8 Syncro	01.96 - 04.96	103	AES
Transporter IV Bus	2.8 VR6	11.95 - 04.00	103	AES
	2.8 V6	04.00 - 04.03	150	AMV
	2.8 VR6	01.92 - 09.98	128	AAA

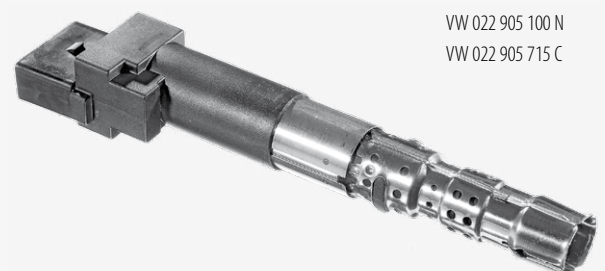
CL022				
OEM-No.				
	VW 07C 905 115J			
	07C 905 715			



1 coil per cylinder

VW				
Passat (3B3)	4.0 V8 4motion	09.01 - 05.05	202	BDP/BDN
Passat Variant (3B6)	4.0 V8 4motion	09.01 - 05.05	202	BDP/BDN
Phaeton (3D2)	6.0 V12 4motion	04.02 -	309	BAN
	6.0 V12 4motion	05.05 -	331	BTT/BRN

CL023				
OEM-No.				
	Ford 1331283			
	Ford 1362718			
	Ford YM21 12029 AC			
	VW 022 905 100 N			
	VW 022 905 715 C			



1 coil per cylinder

FORD				
Galaxy (WGR)	2.8 V6	04.00 - 05.06	150	AYL

SEAT				
Alhambra (7V8, 7V9)	2.8 V6	06.00 -	150	AYL
	2.8 V6 4motion	02.01 -	150	AYL

VW				
Bora (1J2)	2.3 V5	10.00 - 05.05	125	AQN
	2.3 V5 4motion	10.00 - 05.05	125	AQN
	2.8 V6 4motion	03.99 - 05.05	150	AQP/AUE/BDE
Bora Combi (1J6)	2.3 V5	10.00 - 05.05	125	AQN
	2.3 V5 4motion	10.00 - 05.05	125	AQN
	2.8 V6 4motion	05.99 - 05.05	150	AQP/AUE/BDE
Bora Combi (1J6)	2.8 VR6	03.00 - 05.00	150	AUE
Golf IV (1J1)	2.3 V5	10.00 - 06.05	125	AQN
	2.3 V5 4motion	10.00 - 06.05	125	AQN
	2.8 V6 4motion	03.99 - 06.05	150	AQP/AUE/BDE
Golf IV Variant (1J5)	2.3 V5	10.00 - 06.06	125	AQN
	2.3 V5 4motion	10.00 - 06.06	125	AQN
	2.8 V6 4motion	05.99 - 06.06	150	AQP/AUE/BDE
New Beetle (9C1, 1C1)	2.3 V5	10.00 -	125	AQN
Sharan (7M8, 7M9, 7M6)	2.8 V6 24V	04.00 -	150	AYL
	2.8 V6 24V 4mot.	04.00 -	150	AYL

CL024

OEM-No.
VAG 066 905 100 C
066 905 100 D



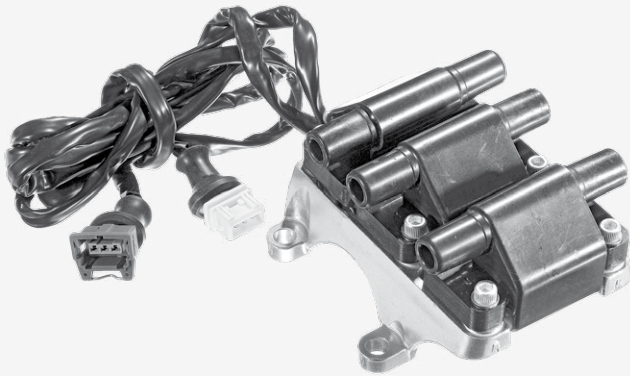
1 coil per cylinder

VW

Passat (3B3)	2.3 V5	11.00 - 05.05	125	AZX
	2.3 V5 4motion	11.00 - 05.05	125	AZX
Passat Variant (3B6)	2.3 VR5	11.00 - 05.05	125	AZX
	2.3 VR5 4motion	11.00 - 05.05	125	AZX

CL026

OEM-No.
Audi 078905101C



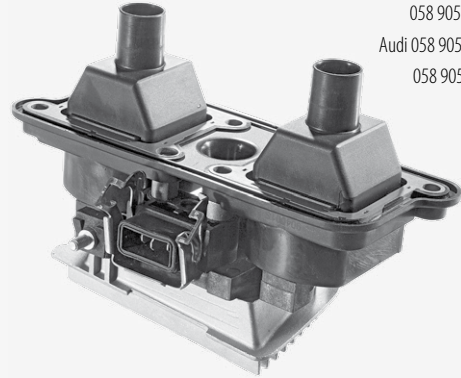
number of connectors: 6

AUDI

A4 (8D2, B5)	2.6	01.95 - 11.00	110	ABC
	2.8	09.95 - 07.97	128	AAH
	2.6 quattro	01.95 - 11.00	110	ABC
	2.8 quattro	01.95 - 07.97	128	AAH
A4 Avant (8D5, B5)	2.6	02.96 - 09.01	110	ABC
	2.8	03.96 - 09.96	128	AAH
	2.6 quattro	01.96 - 09.01	110	ABC
	2.8 quattro	01.96 - 09.96	128	AAH
A6 (4A, C4)	2.8	06.94 - 10.97	128	AEJ/AAH/AFC
	2.8 quattro	06.94 - 10.97	128	AEJ/AAH
A6 Avant (4A, C4)	2.8	06.94 - 12.97	128	AEJ/AAH
	2.8 quattro	06.94 - 12.97	128	AEJ/AAH
A8 (4D2, 4D8)	2.8	07.95 - 03.96	120	AEJ
	2.8	03.94 - 03.96	128	AAH
	2.8 quattro	07.95 - 03.96	120	AEJ
	2.8 quattro	03.94 - 03.96	128	AAH

CL028

OEM-No.
VW 058 905 101A
058 905 105A
Audi 058 905 101A
058 905 105A



1 coil and ignition lead set T594C

AUDI

A4 (8D2, B5)	1.8	01.95 - 11.00	92	AVV/ADR/APT/ARG
	1.8 quattro	01.95 - 11.00	92	ADR/APT/ARG
A4 Avant (8D5, B5)	1.8	02.96 - 09.01	92	AVV/ADR/APT/ARG
	1.8 quattro	01.96 - 09.01	92	ADR/APT/ARG
A6 (4A, C4)	1.8	12.95 - 10.97	92	ADR
	1.8 quattro	12.95 - 10.97	92	ADR
A6 Avant (4A, C4)	1.8	12.95 - 12.97	92	ADR
	1.8 quattro	12.95 - 12.97	92	ADR
A6 Avant (4B, C5)	1.8 T quattro	12.97 - 01.05	110	ARK/AEB/ANB/APU/AWT
Cabrio (8G7, B4)	1.8	01.97 - 08.00	92	ADR

VW

Passat (3B2)	1.8	10.96 - 11.00	92	ADR/APT/ARG
	1.8 Sync/4motion	10.96 - 11.00	92	ADR/APT/ARG
Passat Variant (3B5)	1.8	06.97 - 11.00	92	ADR/APT/ARG
	1.8 Sync/4motion	06.97 - 11.00	92	ADR/APT/ARG

CL100

OEM-No.

Nissan	22448-00QAA	Renault	215952732
	22448-00QAC		2526180A
	22448-00QAE		77 00 107 177
	22448-00QAH		77 00 113 357
	22448-6N011		77 00 113 357 A
Opel	44 083 89		77 00 875 000
	44 132 23		82 00 154 186
	44 132 33		82 00 154 186 A
	91159996		82 00 208 611
			82 00 380 267
			82 00 405 098
			82 00 568 671
			82 00 765 882



1 coil per cylinder

DACIA

Logan	1.6 16V	02.06 -	77	K4M 690
-------	---------	---------	----	---------

NISSAN

Kubistar (X76)	1.6 16V	08.03 -	70	K4M 752
Primastar Bus (X83)	2.0	03.01 -	88	F4R 722/F4R 720
Primastar Van (X83)	2.0	02.03 -	88	F4R 720

OPEL

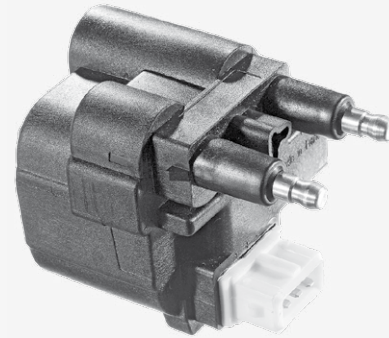
Vivaro Combi (J7)	2.0 16V	08.01 -	88	F4R 720
Vivaro Van (F7)	2.0 16V	08.01 -	88	F4R 720

CL100

CL100				
RENAULT				
Avantime (DE0_)	2.0 16V Turbo	11.01 - 05.03	120	F4R 760/F4R 761
Clio II	1.4 16V	10.99 - 08.00	70	K4J 712/K4J 713
	1.4 16V	08.00 -	72	K4J 712/711/710/713/700
	1.6 16V	09.98 -	79	K4M 748/-744/-708/-745
Espace III (JEO_)	2.0	09.01 - 10.02	102	F4R 701/F4R 700
	2.0 16V	10.98 - 10.02	103	F4R 701/F4R 700
Espace IV (JK0/1_)	2.0	11.02 -	100	F4R 790/-792/-791
	2.0 Turbo	11.02 -	120	F4R 795/-794/-797
Grand Scénic II (JMO/1_)	1.6	04.04 -	83	K4M 761/K4M 782
	2.0	04.04 -	99	F4R 771/F4R 770
	2.0	04.04 -	120	F4R 776
Kangoo (KCO/1_)	1.6 16V	06.01 -	70	K4M 750/-753/-752
	1.6 16V 4x4	10.01 -	70	K4M 750/-753/-752
Kangoo Express	1.6 16V	10.01 -	70	K4M 752
	1.6 16V 4x4	10.01 -	70	K4M 750/-753/-752
Laguna (B56_, 556_)	1.6 16V	11.97 - 03.01	79	K4M 720/K4M 724
Laguna Grandtour (K56_)	1.6 16V	11.97 - 03.01	79	K4M 720/K4M 724
Laguna II (BG0/1_)	1.6 16V	03.01 -	79	K4M 711/-714/-710
	1.8 16V	03.01 -	89	F4P 774/F4P 770
	2.0 16V	08.02 -	99	F4R 713/-715/-712/-714
Laguna II Grandtour	1.6 16V	03.01 -	79	K4M 711/-714/-710
	1.8 16V	03.01 -	85	F4P 774/-773/-771
	1.8 16V	03.01 -	89	F4P 774/F4P 770
	2.0 16V	08.02 -	99	F4R 713/-715/-712/-714
	2.0 16V Turbo	01.03 -	120	F4R 764/-787/-786/-765
Megane I (BA0/1_)	1.4 16V	03.99 -	70	K4J 714/K4J 750
	1.6 16V	03.99 -	79	K4M 704/-700/-708/-701
	1.8 16V	01.01 -	85	F4P 722/F4P 720
	1.4 16V	03.99 -	70	K4J 714/K4J 750
Megane I Cabrio (EA0/1_)	1.6 16V	03.99 -	79	K4M 700/-708/-701
	1.6 16V	03.99 -	79	K4M 700/-708/-701
Megane I Classic (LA0/1_)	1.6 16V	03.99 -	79	K4M 700/-708/-701
	1.8 16V	01.01 -	85	F4P 722/F4P 720
	1.4 16V	03.99 - 08.03	70	K4J 714/K4J 750
Megane I Coach (DA0/1_)	1.6 16V	03.99 - 08.03	79	K4M 700/-708/-701
	2.0 16V	01.02 - 08.03	102	
	1.4 16V	03.99 -	70	K4J 714/K4J 750
Megane I Grandtour	1.4 16V	03.99 -	70	K4J 714/K4J 750
	1.6 16V	03.99 -	79	K4M 704/-700/-708/-701
	1.8 16V	01.01 -	85	F4P 722/F4P 720
Megane II	1.4 16V	11.02 -	72	K4J 740/K4J 730
	1.6 16V	11.02 -	83	K4M 760
	2.0 16V	11.02 -	99	F4R 770
	2.0 Sport	05.04 -	165	F4R 774/F4Rt 774
Megane II Combi	1.4	08.03 -	72	K4J 740/K4J 730
	1.6	08.03 -	83	K4M 760/K4M 761
	2.0	08.03 -	99	F4R 771/F4R 770
Megane II Coupé-Cabrio	1.6	09.03 -	83	K4M 760/K4M 761
	2.0	09.03 -	99	F4R 771/F4R 770
Megane II Sedan (LMO/1_)	1.4	09.03 -	72	K4J 740/K4J 730
	1.6	09.03 -	83	K4M 760/K4M 761
	2.0	09.03 -	99	F4R 771/F4R 770
Modus (F/JPO_)	1.4	12.04 -	72	K4J 770
	1.6	12.04 -	65	K4M 792/K4M 794
	1.6	12.04 -	82	K4M 790/K4M 791
	2.0 16V	07.00 - 08.03	102	F4R 741/F4R 740
Scénic I (JA0/1_)	1.4 16V	09.99 - 08.03	70	K4J 714/K4J 750
	1.6 16V	09.99 - 08.03	79	K4M 704/-700/-708/-701
	1.8 16V	01.01 - 08.03	85	F4P 722/F4P 720
	2.0 16V	07.00 - 08.03	102	F4R 741/F4R 740
	2.0 16V RX4	06.00 - 08.03	102	F4R 744
Scénic II (JMO/1_)	1.4	06.03 -	72	K4J 740/K4J 730
	1.6	06.03 -	83	K4M 761/K4M 782

CL100				
RENAULT				
Scénic II (JMO/1_)	2.0	06.03 -	99	F4R 771/F4R 770
Thalia (LBO/1/2_)	1.4 16V	08.00 -	72	K4J 712
Trafic II Bus (JL)	2.0	03.01 -	88	F4R 722/F4R 720
Trafic II Van (FL)	2.0	03.01 -	88	F4R 722/F4R 720
Vel Satis (BJ0_)	2.0 16V Turbo	04.04 -	125	F4R 766/F4R 767
	2.0 16V Turbo	06.02 -	120	F4R 762/F4R 763

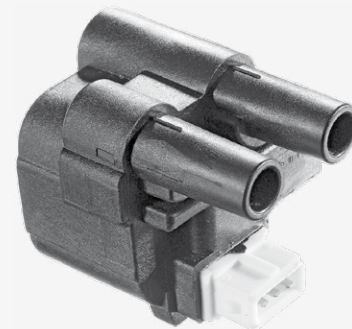
CL101		OEM-No.
		Renault 77 01 041 608



for cylinder 2 & 3 (CL103: 1 & 4)

RENAULT				
Megane I (BA0/1_)	1.6 e	01.96 - 03.97	66	K7M 702/-703/-790
	1.6 i	01.96 - 03.97	55	K7M 720
Megane I Cabrio (EA0/1_)	1.6 e	10.96 - 03.97	66	K7M 702/K7M 703
Megane I Classic (LA0/1_)	1.6 e	09.96 - 03.97	66	K7M 702/-703/-790
	1.6 i	03.97 - 03.99	55	K7M 720
Megane I Coach (DA0/1_)	1.6 e	03.96 - 03.97	66	K7M 702/K7M 703
Megane Scenic (JA0/1_)	1.6 e	01.97 - 03.97	66	K7M 702/K7M 703
	1.6 i	01.97 - 03.97	55	K7M 720

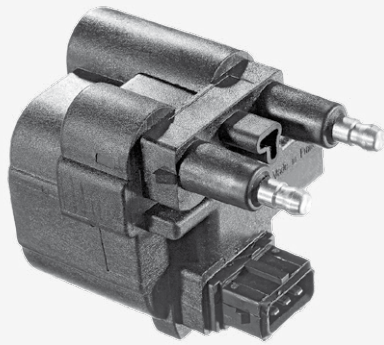
CL102		OEM-No.
		Renault 77 00 100 643



for cylinder 2 & 3 (CL128: 1 & 4)

RENAULT				
Clio II	1.4	09.98 - 05.05	55	E7J 780
	1.6	09.98 - 05.05	66	K7M 744/K7M 745
Kangoo (KCO/1_)	1.4	08.97 -	55	K7J 700/-701/E7J 634/-635
Kangoo Express	1.4	08.97 -	55	K7J 701/E7J 634/-635/-780
Megane I (BA0/1_)	1.6 e	04.97 - 03.99	66	K7M 702/-703/-790
	1.6 i	04.97 - 03.99	55	K7M 720
Megane I Cabrio (EA0/1_)	1.6 e	04.97 - 03.99	66	K7M 702/K7M 703
Megane I Classic (LA0/1_)	1.6 e	04.97 - 03.99	66	K7M 702/-703/-790
Megane I Coach (DA0/1_)	1.6 e	04.97 - 03.99	66	K7M 702/K7M 703
Megane Scenic (JA0/1_)	1.6 e	04.97 - 09.99	66	K7M 702/K7M 703
	1.6 i	04.97 - 09.99	55	K7M 720

CL103



OEM-No.
Renault 708 633 020-7
77 00 863 020
77 01 041 607

for cylinder 1 & 4 (CL101: 2 & 3)

RENAULT

Megane I (BA0/1_)	1.6 e	01.96 - 03.97	66	K7M 702/ -703/ -790
	1.6i	01.96 - 03.97	55	K7M 720
Megane I Cabrio (EA0/1_)	1.6 e	10.96 - 03.97	66	K7M 702/K7M 703
Megane I Classic (LA0/1_)	1.6 e	09.96 - 03.97	66	K7M 702/ -703/ -790
	1.6i	03.97 - 03.99	55	K7M 720
Megane I Coach (DA0/1_)	1.6 e	03.96 - 03.97	66	K7M 702/K7M 703
Megane Scenic (JA0/1_)	1.6 e	01.97 - 03.97	66	K7M 702/K7M 703
	1.6i	01.97 - 03.97	55	K7M 720

CL104



OEM-No.
PSA 5970 80
96 363 378
96 363 378 80
96 369 978 80

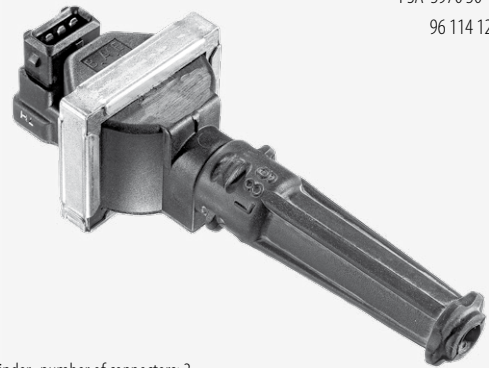
CITROEN

Berlingo (MF)	1.6 16V	10.00 -	80	NFU (TU5JP4)
C2 (JM_)	1.6	09.03 -	80	NFU (TU5JP4)
	1.6 VTS	01.05 -	90	NFS (TU5JP4S)
C3 (FC_)	1.6 16V	02.02 -	80	NFU (TU5JP4)
C3 Pluriel (HB_)	1.6	05.03 -	80	NFU (TU5JP4)
C4 (LC_)	1.6 16V	11.04 -	80	NFU (TU5JP4)
C4 Coupe (LA_)	1.6 16V	11.04 -	80	NFU (TU5JP4)
Xsara (N1)	1.6 16V	09.00 - 03.05	80	NFU (TU5JP4)
Xsara Break (N2)	1.6 16V	09.00 - 08.05	80	NFU (TU5JP4)
Xsara Coupe (N0)	1.6 16V	09.00 - 03.05	80	NFU (TU5JP4)

PEUGEOT

1007 (KM_)	1.6 16V	04.05 -	80	NFU (TU5JP4)
206 (2A/C, T3E)	1.6 16V	12.00 -	80	NFU (TU5JP4)
206 CC (2D)	1.6 16V	09.00 -	80	NFU (TU5JP4)
206 SW (2E/K)	1.6 16V	07.02 -	80	NFU (TU5JP4)
307 (3A/C)	1.6 16V	08.00 -	80	NFU (TU5JP4)
307 Break (3E)	1.6 16V	03.02 -	80	NFU (TU5JP4)
307 CC (3B)	1.6 16V	03.05 -	80	NFU (TU5JP4)
307 SW (3H)	1.6 16V	03.02 -	80	NFU (TU5JP4)
Partner Combispac	1.6 16V	07.01 -	80	NFU (TU5JP4)

CL105



OEM-No.
PSA 5970 50
96 114 120 80

1 coil per cylinder, number of connectors: 3

CITROEN

Xantia (X1)	2.0 i 16V	06.94 - 01.98	110	RFT (XU10J4/Z)
	2.0 i 16V	03.93 - 01.98	112	RFY (XU10J4/Z)
ZX (N2)	2.0 i 16V	06.94 - 06.97	110	RFT (XU10J4/Z)
	2.0 i 16V	07.92 - 10.94	112	RFT - RFY (XU10J4/Z)
	2.0 i 16V	05.96 - 06.97	120	RFS (XU10J4RS)

PEUGEOT

306 (7B, N3, N5)	2.0 516	06.94 - 05.01	110	RFT (XU10J4)
405 II (4B)	2.0 T 16 X4	08.92 - 10.95	144	RGZ (XU10J4TE/Z)

CL106



OEM-No.
PSA 5970 49
96 062 288
96 165 970 80

CITROEN

AX (ZA_-)	1.0	01.92 - 12.98	33	CDY (TU9M)
	1.0	02.87 - 12.98	37	CDZ (TU9M)
AX (ZA_-) Mot. No. 5657-	1.1	01.91 - 12.97	44	HDZ (TU1M)/H1B
AX (ZA_-)	1.4	07.89 - 07.96	55	KDY / KDZ / KDX
	1.4 GTi	08.91 - 12.96	66	KFY (TU3FJ2)
	1.4 GTi	06.91 - 12.96	69	KFZ (TU3FJ2)
	1.4 GTi	06.91 - 12.92	74	KFZ (TU3FJ2)

PEUGEOT

106 I (1A, 1C)	1.0	09.91 - 04.96	33	CDY (TU9M)
	1.0	09.91 - 04.96	37	CDZ (TU9M)
	1.4	03.94 - 04.96	55	KDX (TU3MC)/KDY (TU3M)
	1.4	09.91 - 04.96	69	KFZ (TU3J2/Z)
106 II (1)	1.6	06.93 - 04.96	65	NFZ (TU5JP)
	1.6	01.94 - 04.96	76	NFY (TU5J2)
	1.6i	05.96 -	65	NFZ (TU5JP)
206 (2A/C, T3E)	1.6i	05.96 -	74	NFW (TU5J2)/NFY (TU5J2)
	1.6i	09.98 - 12.00	65	NFZ (TU5JP)
306 (7B, N3, N5)	1.1	06.94 - 05.01	44	HDZ (TU1M)
	1.4 SL	06.97 - 05.01	55	KDX / KFZ-KFW (TU3JP)
	1.6 SR	04.97 - 10.00	65	NFZ (TU5JP)
306 Break (7E, N3, N5)	1.6	04.97 - 10.00	65	NFZ (TU5JP)

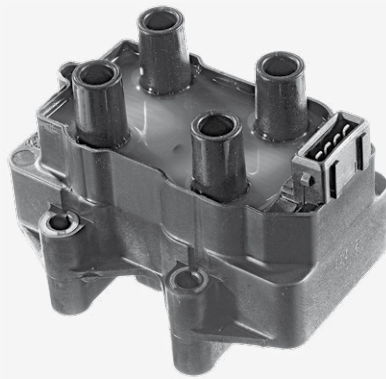
CL106

CL106

PEUGEOT

306 Cabrio (7D, N3, N5)	1.6	04.96 - 10.00	65	NFZ (TU5JP)
306 Hatchback	1.1	05.93 - 05.01	44	HDZ (TU1M)
	1.4	06.97 - 05.01	55	KDX / KFX-KFW (TU3JP)
	1.6	05.93 - 10.00	65	NFZ (TU5JP)
405 II (4B)	1.4	08.92 - 10.95	55	KDX (TU3MC)
405 II Break (4E)	1.4	08.92 - 10.96	55	KDX (TU3MC)

CL107



OEM-No.
Fiat 9607405480
96228897
9622889780
PSA 5970 48
5970 60
5970 70
96 074 054
96 228 897

CITROEN

Berlingo (MF)	1.1 i	07.96 -	44	HDZ (TU1M)/HFX (TU1JP)	
	1.4 i	07.96 -	55	KFX - KFW (TU3JP)	
	1.8 i	05.97 -	66	LFX (XU7JB)	
Berlingo Van (M_)	1.1 i	07.96 -	44	HDZ (TU1M)	
	1.4 i	07.96 -	55	KFX - KFW (TU3JP)	
BX 19 (XB-)	1.6 E	03.91 - 02.93	65	BDY (XU5M)/BDZ (XU5M)	
	BX 19 Break (XB-)	1.9	06.88 - 12.94	80	DDZ (XU9M)
		1.9 4x4	10.90 - 05.91	80	DDZ (XU9M)
Evasion (22, U6)	1.8	05.97 - 07.02	73	LFZ (XU7JP)	
	2.0	06.94 - 07.02	89	RFU (XU10J2C)	
	2.0 Turbo C.T.	06.94 - 07.02	108	RGX (XU10J2TE)	
Jumper Bus (230P)	2.0	02.94 - 04.02	80	RFW (XU10J2U)	
	2.0 4x4	08.96 - 04.02	80	RFW (XU10J2U)	
Jumper Flatbed (230)	2.0	03.94 - 04.02	80	RFW (XU10J2U)	
Jumper Van (230L)	2.0	03.94 - 04.02	80	RFW (XU10J2U)	
Saxo (S0, S1)	1.0 X	05.96 - 11.98	33	CDZ (TU9M)	
	1.0 X	05.98 - 06.03	37	CDZ (TU9M)	
	1.1 X,SX	05.96 - 09.03	40	HDZ (TU1M)	
	1.1 X,SX	05.96 - 09.03	44	HDZ (TU1M)/HFX (TU1JP)	
Xantia (X1)	1.6 i	03.93 - 01.98	65	BFZ (XU5JP)	
	1.8 i	04.97 - 01.98	66	LFX (XU7JB)	
	1.8 i	03.93 - 01.98	74	LFZ (XU7JP)	
	1.8 i 16V	06.95 - 01.98	81	LFY (XU7JP4)	
	2.0 i	03.93 - 01.98	89	RFX (XU10J2C)	
	2.0 Turbo	06.95 - 01.98	108	RGX (XU10J2TE)	
Xantia (X2)	1.8 i	01.98 - 04.03	66	LFX (XU7JB)	
	2.0 i	01.98 - 04.03	89	RFX (XU10J2C)	
	2.0 Turbo	01.98 - 04.03	108	RGX (XU10J2TE)	
Xantia Break (X1)	1.8 i	04.97 - 01.98	66	LFX (XU7JB)	
	1.8 i	06.95 - 01.98	74	LFZ (XU7JP)	
	1.8 i 16V	06.95 - 01.98	81	LFY (XU7JP4)	
	2.0 i	06.95 - 01.98	89	RFX (XU10J2C)	
	2.0 Turbo	06.95 - 01.98	108	RGX (XU10J2TE)	
Xantia Break (X2)	1.8 i	01.98 - 04.03	66	LFX (XU7JB)	
	2.0 i	01.98 - 04.03	89	RFX (XU10J2C)	
	2.0 Turbo	01.98 - 04.03	108	RGX (XU10J2TE)	

CL107

CITROEN

XM (Y3)	2.0 i	05.89 - 06.94	89	RFZ (XU10J2)
	2.0 i Turbo	09.92 - 06.94	104	RGY (XU10J2TE/Z)
XM (Y4)	2.0 i 16V	05.94 - 10.00	97	RFV (XU10J4R)
	2.0 Turbo	05.94 - 10.00	108	RGX (XU10J2TE)
XM Break (Y3)	2.0 i	11.91 - 04.94	89	RFZ (XU10J2)
	2.0 Turbo	09.92 - 04.94	104	RGY (XU10J2TE/Z)
XM Break (Y4)	2.0 i 16V	05.94 - 10.00	97	RFV (XU10J4R)
	2.0 Turbo	05.94 - 10.00	108	RGX/RGY (XU10J2TE-)
Xsara (N1)	1.4 i	04.97 - 03.05	55	KFX - KFW (TU3JP)
	1.6 i	04.97 - 09.00	65	NFZ (TU5JP)
	1.8 i	04.97 - 09.00	66	LFX (XU7JB)
	1.8 i Aut.	04.97 - 09.00	74	LFZ (XU7JP)
Xsara Break (N2)	1.4 i	10.97 - 08.05	55	KFX - KFW (TU3JP)
	1.6 i	10.97 - 09.00	65	NFZ (TU5JP)
	1.8 i	10.97 - 09.00	66	LFX (XU7JB)
	1.8 i Aut.	10.97 - 09.00	74	LFZ (XU7JP)
Xsara Coupe (N0)	1.4 i	03.98 - 03.05	55	KFX - KFW (TU3JP)
	1.6 i	02.98 - 09.00	65	NFZ (TU5JP)
	1.8 i	02.98 - 09.00	66	LFX (XU7JB)
	1.8 i	02.98 - 09.00	74	LFZ (XU7JP)
ZX (N2)	1.6 i	03.91 - 06.97	65	BFZ (XU5JP)/BDY (XU5M)
	1.8 i	07.92 - 06.97	74	LFZ (XU7JP)
	1.8 i 16V	01.96 - 06.97	81	LFY (XU7JP4)
	1.9 i	03.91 - 06.97	88	DKZ (XU9JA)
	2.0 i	07.92 - 06.97	89	RFX (XU10J2C)
ZX Break (N2)	1.6 i	10.93 - 10.97	65	BFZ (XU5JP)/BDY (XU5M)
	1.8 i	10.93 - 10.97	74	LFZ (XU7JP)
	1.8 i 16V	01.96 - 02.98	81	LFY (XU7JP4)

FIAT

Ducato Bus (230)	2.0 Panorama	03.94 - 04.02	80	RFW
Ducato Bus (244, Z_)	2.0	04.02 -	81	RFL
	2.0 Bipower	11.02 -	81	
Ducato Van (230L)	2.0	03.94 - 04.02	80	RFW
Ducato Van (244)	2.0	04.02 -	81	RFL
	2.0 Bipower	11.02 -	81	
Ulysse (220)	1.8	05.97 - 08.02	73	LFW
	2.0	06.94 - 08.02	89	RFU (XU10J2C)
	2.0 Turbo	06.94 - 08.02	108	RGX (XU10J2CTE)

PEUGEOT

106 II (1)	1.0 i	05.96 -	33	CDY (TU9M)
	1.0 i	01.97 -	37	CDZ (TU9M)
	1.1 i	01.97 -	40	HDY (TU1M)
205 I Cabrio (741B, 20D)	1.6 CJ	08.92 - 12.94	65	BDY (XU5M3Z)
205 II (20A/C)	1.6 Aut.	05.90 - 09.98	65	BDY (XU5M2Z)/- (XU5M3Z)
306 (7B, N3, N5)	1.8 16V	03.97 - 05.01	81	LFY (XU7JP4)
	1.8 ST	06.94 - 05.01	74	LFZ (XU7JP)
	2.0 ST	07.94 - 05.01	89	RFX (XU10J2)
306 Break (7E, N3, N5)	1.8	03.97 - 04.02	74	LFZ (XU7JP)
	1.8 16V	03.97 - 04.02	81	LFY (XU7JP4)
306 Cabrio (7D, N3, N5)	1.8	03.94 - 04.02	74	LFZ (XU7JP)
	1.8 16V	07.00 - 04.02	81	LFY (XU7JP4)
	2.0	03.94 - 04.02	89	RFX (XU10J2)
306 Hatchback	1.8	05.93 - 05.01	74	LFZ (XU7JP)
	1.8 16V	03.97 - 05.01	81	LFY (XU7JP4)
	2.0 XSi	05.93 - 05.01	89	RFX (XU10J2)
309 II (3C, 3A)	1.6	07.89 - 12.93	65	BDY / BDZ
405 I (15B)	1.6	09.90 - 12.92	65	BDY / BDZ
405 I Break (15E)	1.6	10.90 - 08.92	65	BDY / BDZ
405 II (4B)	1.6	08.92 - 10.95	65	BFZ / BDY / BDZ
	1.8	08.92 - 10.95	74	LFZ (XU7JP)



CL107
PEUGEOT

405 II (4B)	2.0	08.92 - 10.95	89	RFX (XU10J2)
	2.0 X4	08.92 - 10.95	89	RFX (XU10J2)
405 II Break (4E)	1.6	08.92 - 10.96	65	BFZ / BDY / BDZ
	1.8	08.92 - 10.96	74	LFZ (XU7JP)
	2.0	08.92 - 10.96	89	RFX (XU10J2)
	2.0 4x4	08.92 - 10.96	89	RFX (XU10J2)
406 (8B)	1.6	11.95 - 05.04	65	BFZ (XU5JP)
	1.8	05.97 - 05.04	66	LFX (XU7JB)
	1.8 16V	11.95 - 03.99	81	LFY (XU7JP4)
	2.0 Turbo	04.96 - 05.04	108	RGX (XU10J2TE)
406 Break (8E/F)	1.8	05.97 - 10.04	66	LFX (XU7JB)
	1.8 16V	10.96 - 03.99	81	LFY (XU7JP4)
	2.0 Turbo	10.96 - 10.04	108	RGX (XU10J2TE)
605 (6B)	2.0	10.90 - 09.99	89	RFZ (XU10JZZ)
	2.0 Turbo	07.92 - 09.99	104	RGY (XU10J2TE)
	2.0 Turbo	07.91 - 09.99	108	RGX (XU10J2TE)
806 (221)	1.8	07.95 - 08.02	73	LFW (XU7JP)
	2.0	06.94 - 08.02	89	RFU (XU10J2)
	2.0 Turbo	06.94 - 08.02	108	RGX (XU10J2TE)
Boxer Bus (230P)	2.0 i	03.94 - 04.02	80	RFW (XU10J2)
	2.0 i 4x4	08.96 - 04.02	80	RFW (XU10J2)
Boxer Bus (244, Z_)	2.0	04.02 -	81	RFL (XU10J2U)
Boxer Flatbed (ZCT_)	2.0 i	06.94 - 04.02	80	RFW (XU10J2)
Boxer Van (230L)	2.0 i	06.94 - 04.02	80	RFW (XU10J2)
Boxer Van (244)	2.0	04.02 -	81	RFL (XU10J2U)
Partner Combispace	1.1	06.96 -	44	HDZ (TU1M)/HFX (TU1JP)
	1.4	06.96 - 11.02	55	KFX - KFW (TU3JP)
	1.8	05.97 -	66	LFX (XU7JB)
Partner Van (5)	1.1	06.96 -	44	HDZ (TU1M)
	1.4	06.96 -	55	KFX (TU3JP)/TU32

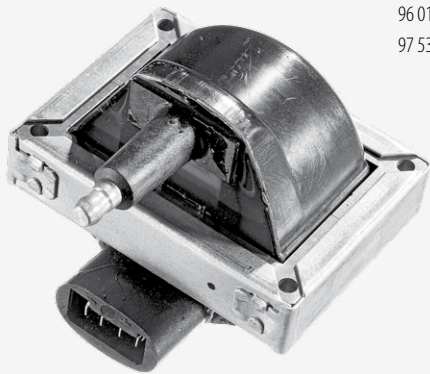
CL108

OEM-No.

PSA 5970 43

96 010 513

97 530 780



oval socket, ignition system Bosch

CITROEN

AX (ZA-_)	1.0	07.86 - 12.90	33	CDY (TU9M)
	1.0 E	12.86 - 12.88	30	C3A
	1.1	12.86 - 04.94	40	H1A/H1B
	1.1 cat	09.88 - 12.89	40	HAZ (TU1CP)
	1.3 Sport	04.87 - 12.88	70	M4A
	1.4	12.86 - 12.88	44	KAY (TU3CP)
	1.4	05.91 - 04.97	55	KDY / KDZ / KDX
	1.4	01.88 - 12.92	62	K2B/K2A
1.4 4x4	08.91 - 12.96	55	KDY / KDZ / KDX	
BX 11 (XB-_)	1.1	10.88 - 06.92	40	HDZ (TU1M)
BX 14 (XB-_)	1.4	01.89 - 12.89	47	K1H (TU3A)

CL108
CITROEN

C15 (VD-_)	1.0	10.84 - 12.97	33	XV8/TU9
	1.1 i	07.88 - 12.96	44	HDZ (TU1M)
	1.4	07.87 - 12.96	49	K1H (TU3A)
	1.4 E	05.87 - 12.96	44	150D (XY7)
	1.4 i	05.91 - 12.96	55	KDY (TU3FM)/KDY (TU3M)

PEUGEOT

205 I Cabrio (741B, 20D)	1.1 CJ	10.89 - 12.94	44	HDZ (TU1M)	
	1.4 CJ	03.89 - 12.94	49	K1D (TU3A)	
	1.4 CJ	05.91 - 12.94	55	KDZ (TU3M)/KDY (TU3M)	
	1.4 CJ cat	01.89 - 09.93	44	KAY (TU3CP)	
205 II (20A/C)	1.0	10.87 - 09.98	33	TU9	
	1.1	10.87 - 10.90	40	H1B (TU1)	
	1.1	07.89 - 09.98	44	HDZ (TU1M)	
	1.4	10.87 - 10.90	49	K1D (TU3A)	
	1.4	07.88 - 09.98	55	KFX / KDZ-KDY (TU3M)	
	1.4	06.87 - 12.89	62	K2B (TU3S)	
	1.4 cat	08.87 - 09.93	44	KAY (TU3CP)	
	1.9 GTI	10.87 - 09.98	94	D6B (XU9JA (G-KAT))	
	309 I (10C, 10A)	1.4	03.89 - 07.89	49	K1D (TU3A)
		1.4	03.89 - 07.89	55	KDZ (TU3M)/KDY (TU3M)
1.4		03.89 - 07.89	62	K2B (TU3S)	
1.6		11.85 - 09.88	76	180Z (XU5J)/B6B (XU5J)	
309 II (3C, 3A)	1.1	08.90 - 12.93	44	HDZ (TU1M)	
	1.4	07.90 - 12.93	49	K1D (TU3A)	
	1.4	07.89 - 12.93	55	KDZ (TU3M)/KDY (TU3M)	
	1.9 GTI	07.89 - 12.93	88	DKZ (XU9JAZ)	
405 I (15B)	1.4	01.87 - 07.92	47	TU 3	

CL109

OEM-No.

PSA 5970 45

96 035 284

96 035 284 80



rectangular socket

CITROEN

AX (ZA-_)	1.0	01.91 - 12.98	33	CDY (TU9M)
AX (ZA-_) Mot. No. -5656	1.1	01.91 - 12.97	44	HDZ (TU1M)/H1B
ZX (N2)	1.1	03.91 - 06.97	44	HDZ (TU1M)
	1.4	03.91 - 06.97	55	KDZ (TU3M/Z)
	1.4 i	03.91 - 06.97	55	KFX/KDZ - KDX (TU3M/Z)
	1.9 i	03.91 - 06.97	88	DKZ (XU9JA)
ZX Break (N2)	1.4 i	10.93 - 10.97	55	KFX/ KDX (TU3M/Z)/KDY

PEUGEOT

106 I (1A, 1C)	1.1	09.91 - 04.96	44	HDZ (TU1M)
	1.4	02.94 - 04.96	55	KDX (TU3MC)/KDY (TU3M)
605 (6B)	2.0	06.89 - 09.90	89	RFZ (XU10JZZ)

CL110

OEM-No.	
PSA 5963 19	PSA 96 246 755
5970 72	96 246 755 80
5970 74	96 281 585
	96 281 585 80



color of socket: black

CITROEN

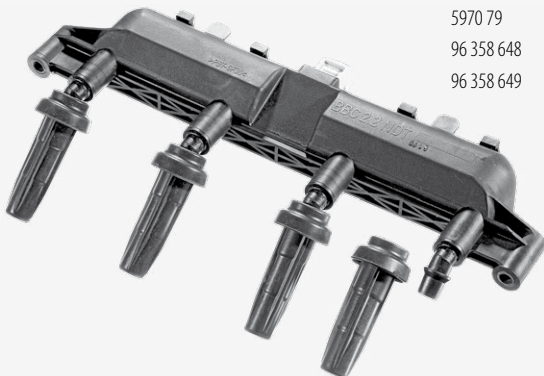
Berlingo (MF)	1.4 i	09.05 -	55	KFX - KFW (TU3JP)
Berlingo Van (M_)	1.4 i	09.05 -	55	KFX - KFW (TU3JP)
Saxo (S0, S1)	1.4 VTS	02.98 - 06.03	55	KFX - KFW (TU3JP)
	1.6 VTL,VTR	05.96 - 06.03	65	NFZ (TU5JP)
Xsara (N1)	1.4 i	04.97 - 03.05	55	KFX - KFW (TU3JP)
	1.6 i	04.97 - 09.00	65	NFZ (TU5JP)
Xsara Break (N2)	1.4 i	10.97 - 08.05	55	KFX - KFW (TU3JP)
	1.6 i	10.97 - 09.00	65	NFZ (TU5JP)
Xsara Coupe (N0)	1.4 i	03.98 - 03.05	55	KFX - KFW (TU3JP)

PEUGEOT

106 II (1)	1.4 i	06.97 - 06.00	55	KFX - KFW (TU3JP)
206 (2A/C, T3E)	1.4 i	09.98 - 02.09	55	KFX - KFW (TU3JP)
	1.6 i	09.98 - 12.00	65	NFZ (TU5JP)
306 (7B, N3, N5)	1.4 SL	06.97 - 06.00	55	KDX/KFX - KFW (TU3JP)
	1.6 SR	07.98 - 10.00	65	NFZ (TU5JP)
306 Break (7E, N3, N5)	1.4	06.97 - 06.00	55	KFX - KFW (TU3JP)
	1.6	07.98 - 10.00	65	NFZ (TU5JP)

CL111

OEM-No.	
PSA 5963 19	
5970 78	
5970 79	
96 358 648	
96 358 649	



color of socket: grey

CITROEN

Berlingo (MF)	1.4 i	09.00 -	55	KFX - KFW (TU3JP)
Berlingo Van (M_)	1.4 i	09.00 -	55	KFX - KFW (TU3JP)
C2 (JM_)	1.1	09.03 -	44	HFX (TU1JP)
	1.4	09.03 -	54	KFV (TU3JP)
C3 (FC_)	1.1 i	02.02 -	44	HFX (TU1JP)
	1.4 16V	12.03 -	65	KFU (ET3J4)
	1.4 i Bivalent	02.02 -	54	KFV (TU3JP)

CL111

CITROEN

C3 Pluriel (HB_)	1.4	05.03 -	54	KFV (TU3JP)
Saxo (S0, S1)	1.1 X,SX	05.96 - 09.03	40	HDZ (TU1M)
	1.1 X,SX	09.00 - 09.03	44	HDZ (TU1M)/HFX (TU1JP)
	1.4 VTS	06.00 - 06.03	55	KFX - KFW (TU3JP)
	1.6 VTS	09.00 - 09.03	72	NFT
	1.6 VTS	06.96 - 09.03	87	NFX (TU5JP4)
Xsara (N1)	1.4 i	04.97 - 03.05	55	KFX - KFW (TU3JP)
Xsara Break (N2)	1.4 i	10.97 - 08.05	55	KFX - KFW (TU3JP)
Xsara Coupe (N0)	1.4 i	03.98 - 03.05	55	KFX - KFW (TU3JP)

PEUGEOT

1007 (KM_)	1.4	04.05 -	54	KFV (TU3JP)
106 II (1)	1.1 i	01.97 -	40	HDY (TU1M)
	1.1 i	05.96 -	44	HDZ (TU1M)/HFX (TU1JP)
	1.4 i	06.00 -	55	KFX - KFW (TU3JP)
206 (2A/C, T3E)	1.1 i	09.98 -	44	HFX (TU1JP)/HFX (TU1JP)
	1.4 i	03.00 - 02.09	55	KFX - KFW (TU3JP)
206 SW (2E/K)	1.4	07.02 -	55	KFW (TU3JP)
	1.4 16V	10.03 -	65	KFU (ET3J4)
306 (7B, N3, N5)	1.4 SL	06.94 - 05.01	55	KDX/KFX - KFW (TU3JP)
306 Break (7E, N3, N5)	1.4	03.97 - 04.02	55	KFX - KFW (TU3JP)
306 Hatchback	1.4	05.93 - 05.01	55	KDX/KFX - KFW (TU3JP)
307 (3A/C)	1.4	08.00 -	55	KFW (TU3JP)
307 Break (3E)	1.4 16V	11.03 -	65	KFU (ET3J4)
307 SW (3H)	1.4 16V	11.03 -	65	KFU (ET3J4)
Partner Combispace (5F)	1.4	09.00 -	55	KFX - KFW (TU3JP)

CL112

OEM-No.	
PSA 5970 75	
94 632 641	
96 341 314	
96 341 314 80	



CITROEN

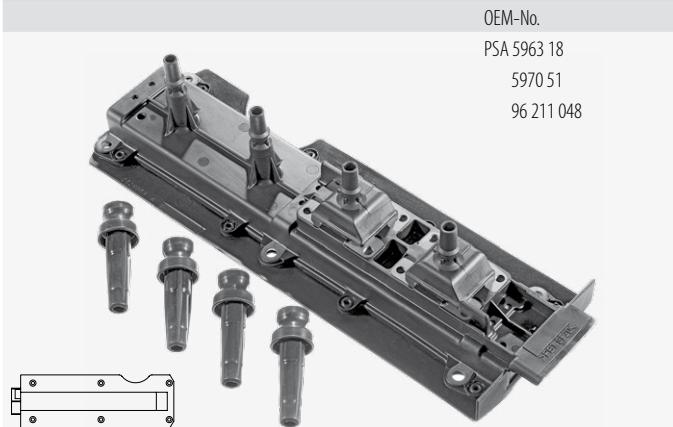
C4 (LC_)	2.0 16V	11.04 -	100	RFN (EW10J4)
C4 Coupe (LA_)	2.0 16V	11.04 -	100	RFN (EW10J4)
C5 (DC_)	1.8 16V	03.01 - 08.04	85	6FZ (EW7J4)
	2.0 16V	03.01 - 08.04	100	RFN (EW10J4)
C5 (RC_)	1.8 16V	09.04 -	85	6FZ (EW7J4)
	C5 Break (DE_)	1.8 16V	06.01 - 08.04	85
2.0 16V		06.01 - 08.04	100	RFN (EW10J4)
C5 Break (RE_)	1.8 16V	09.04 -	85	6FZ (EW7J4)
	C8 (EA_, EB_)	2.0	07.02 -	100
Evasion (22, U6)	2.0 16V	05.00 - 07.02	100	RFN (EW10J4)
Jumpy (U6U)	2.0	04.00 - 12.06	100	RFN (EW10J4)
	2.0 i 16V	03.00 -	102	
Jumpy Van	2.0 i 16V	03.00 -	102	
Xsara (N1)	2.0 16V	09.00 - 03.05	100	RFN (EW10J4)
Xsara Break (N2)	2.0 16V	09.00 - 08.05	100	RFN (EW10J4)
Xsara Coupe (N0)	2.0 16V	09.00 - 03.05	100	RFN (EW10J4)
Xsara Picasso (N68)	1.8 16V	02.00 -	85	LFY (XU7JP4)/6FZ (EW7J4)
	2.0 16V	01.03 -	100	RFN (EW10J4)

CL112



CL112
PEUGEOT

206 (2A/C, T3E)	2.0 RC	07.03 -	130	RFK (EW10J4S)
	2.0 516	04.99 - 10.00	99	RFR (DEW10J4)
	2.0 516	10.00 -	100	RFN (EW10J4)
206 CC (2D)	2.0 516	09.00 -	100	RFN (EW10J4)
206 SW (2E/K)	2.0 16V	07.02 -	100	RFN (EW10J4)
307 Break (3E)	2.0	03.02 -	100	RFN (EW10J4)
307 CC (3B)	2.0 16V	10.03 -	100	RFN (EW10J4)
307 SW (3H)	2.0 16V	03.02 -	100	RFN (EW10J4)
406 (8B)	1.8 16V	10.00 - 05.04	85	6FZ (EW7J4)
	2.0 16V	01.99 - 08.00	99	RFR (DEW10J4)
	2.0 16V	08.00 - 05.04	100	RFN (EW10J4)
406 Break (8E/F)	1.8 16V	10.00 - 10.04	85	6FZ (EW7J4)
	2.0 16V	01.99 - 10.00	99	RFR (DEW10J4)
	2.0 16V	10.00 - 10.04	100	RFN (EW10J4)
406 Coupe (8C)	2.0 16V	01.99 - 10.00	99	RFR (DEW10J4)
	2.0 16V	10.00 - 12.04	100	RFN (EW10J4)
407 (6D_)	2.0	05.04 -	100	RFN (EW10J4)
407 SW (6E_)	2.0	05.04 -	100	RFN (EW10J4)
607 (9D, 9U)	2.0	02.00 -	100	RFN (EW10J4)
806 (221)	2.0 16V	09.00 - 08.02	100	RFN (EW10J4)
807 (E)	2.0	06.02 -	100	RFN (EW10J4)
Expert (224)	2.0	07.00 -	100	RFN (EW10J4)
Expert Van (222)	2.0	09.02 -	100	RFN (EW10J4)

CL113


OEM-No.
PSA 5963 18
5970 51
96 211 048

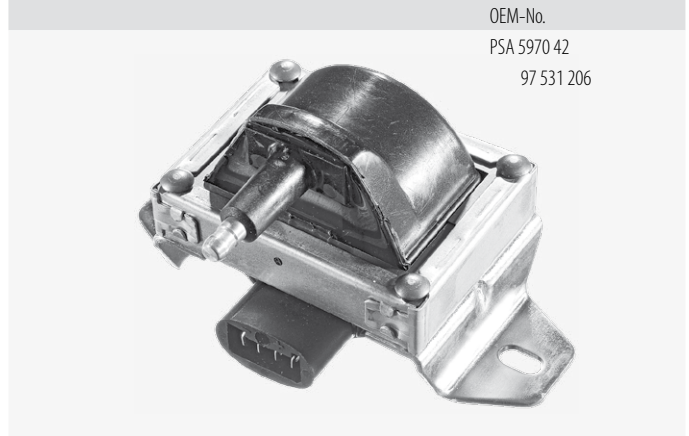
top cover

CITROEN

Xantia (X1)	2.0 i 16V	06.95 - 09.97	97	RFV (XU10J4R)
Xantia Break (X1)	2.0 i 16V	06.95 - 09.97	97	RFV (XU10J4R)
XM (Y4)	2.0 i 16V	07.94 - 10.00	97	RFV (XU10J4R)
XM Break (Y4)	2.0 i 16V	07.94 - 10.00	97	RFV (XU10J4R)

PEUGEOT

306 (7B, N3, N5)	2.0	03.97 - 09.97	97	RFV (XU10J4R)
306 Cabrio (7D, N3, N5)	2.0 16V	03.97 - 09.97	97	RFV (XU10J4R)
306 Hatchback	2.0 16V	03.97 - 09.97	97	RFV (XU10J4R)
406 (8B)	2.0 16V	11.95 - 09.97	97	RFV (XU10J4R)
406 Break (8E/F)	2.0 16V	11.96 - 11.97	97	RFV (XU10J4R)
406 Coupe (8C)	2.0 16V	05.97 - 09.97	97	RFV (XU10J4R)
605 (6B)	2.0 16V	07.94 - 05.99	97	RFV (XU10J4R)

CL114


OEM-No.
PSA 5970 42
97 531 206

oval socket, ignition system Marelli

CITROEN

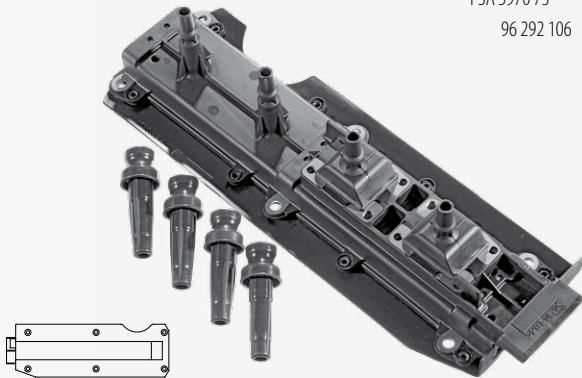
BX 15 (XB_)	1.5	10.87 - 05.92	59	B1E (XU51C)
BX 15 Break (XB_)	1.5	10.87 - 05.92	59	B1E (XU51C)
BX 16 (XB_)	1.6	01.87 - 02.93	53	B1E (XU51C)
	1.6	09.88 - 02.93	55	BAZ (XU5CP)/BAY (XU5CP)
	1.6 E	09.89 - 03.91	65	BDY (XU5M)/BDZ (XU5M)
BX 16 Break (XB_)	1.6	09.88 - 12.94	53	B1E (XU51C)
	1.6	05.89 - 12.94	65	BDY (XU5M)/BDZ (XU5M)
BX 19 (XB_)	1.9	09.86 - 11.89	70	D2C (XU92C)
	1.9	07.86 - 05.89	75	159A
	1.9 E	06.88 - 02.93	80	DDZ (XU9M)
	1.9 E 4x4	04.89 - 02.93	80	D2F
	1.9 GTi	06.88 - 02.93	88	DKZ (XU9JA)
1.9 GTi	07.86 - 02.93	90	D6A (XU9J2)	
1.9 GTi 16V	03.88 - 02.93	108	DFW (XU9J4)	
1.9 GTi 16V	09.87 - 12.88	116	D6C (XU9J4)	
1.9 GTi 4x4	06.88 - 02.93	88	DKZ (XU9JA)	
BX 19 Break (XB_)	1.9	12.87 - 12.89	70	D2C (XU92C)
	1.9	06.88 - 12.94	88	DKZ (XU9JA)
C15 (VD_)	1.1	10.84 - 12.96	35	109K/E1A
	1.3	07.87 - 05.88	47	G1A

PEUGEOT

309 I (10C, 10A)	1.3	10.85 - 07.89	47	G1A	
	1.6	01.86 - 07.89	69		
	1.6	07.89 - 12.93	68	B2A (XU52C/K)	
309 II (3C, 3A)	1.6	07.89 - 12.93	69		
	1.9 GTi 16V	10.90 - 12.93	108	DFW (XU9J4Z)	
	1.9 GTi 16V	08.89 - 07.90	116	D6C (XU9J4)	
	405 I (15B)	1.6	07.87 - 12.92	53	B1E (XU51C)
		1.6	07.87 - 06.88	55	B1E (XU51C)/BAZ (XU5CP)
1.6		07.87 - 12.92	65	BDY / BDZ (XU5M)	
405 I Sport (15B)	1.6	10.89 - 12.92	66	BDZ (XU5M)	
	1.6	01.87 - 12.92	69	B2A (XU52C/K)	
	1.6 4x4	04.88 - 07.92	65	BDZ (XU5M)	
	1.9	07.87 - 12.92	70	D2C (XU92C (U-KAT))	
	1.9	07.88 - 12.92	88	DKZ (XU9JAZ)	
	1.9 MI-16	04.88 - 12.92	108	DFW (XU9J4Z)	
	1.9 MI-16	07.87 - 11.91	116	D6C (XU9J4)	
405 I Break (15E)	1.9 MI-16 4x4	04.88 - 12.92	108	DFW (XU9J4Z)	
	1.6	10.88 - 08.92	55	BAZ (XU5CP)	
	1.6	10.88 - 09.90	65	BDY / BDZ (XU5M)	
	1.6	10.88 - 08.92	66	BDZ (XU5M)	
	1.6 SRI 4x4	04.88 - 07.92	65	BDZ (XU5M)	
	1.9	10.88 - 08.92	70	D2C (XU92C (U-KAT))	
	1.9	10.88 - 08.92	88	DKZ (XU9JAZ)	

CL115

OEM-No.
PSA 5970 73
96 292 106



top cover

CITROEN

Evasion (22, U6)	2.0 16V	05.98 - 04.00	97	RFV (XU10J4R)
Xantia (X1)	1.8 i 16V	08.97 - 12.97	81	LFY (XU7JP4)
	2.0 i 16V	08.97 - 12.97	97	RFV (XU10J4R)
Xantia (X2)	1.8 i 16V	01.98 - 04.03	81	LFY (XU7JP4)
	2.0 i 16V	01.98 - 04.03	97	RFV (XU10J4R)
Xantia Break (X1)	1.8 i 16V	08.97 - 12.97	81	LFY (XU7JP4)
	2.0 i 16V	08.97 - 12.97	97	RFV (XU10J4R)
Xantia Break (X2)	1.8 i 16V	01.98 - 04.03	81	LFY (XU7JP4)
	2.0 i 16V	01.98 - 04.03	97	RFV (XU10J4R)
XM (Y4)	2.0 i 16V	09.97 - 10.00	97	RFV (XU10J4R)
XM Break (Y4)	2.0 i 16V	09.97 - 10.00	97	RFV (XU10J4R)
Xsara (N1)	1.8 i 16V	04.97 - 09.00	81	LFY (XU7JP4)
	2.0 16V	07.98 - 09.00	97	RFV (XU10J4R)
Xsara Break (N2)	1.8 i 16V	10.97 - 09.00	81	LFY (XU7JP4)
	2.0 16V	07.98 - 09.00	97	RFV (XU10J4R)
Xsara Coupe (N0)	1.8 i 16V	02.98 - 09.00	81	LFY (XU7JP4)

PEUGEOT

306 (7B, N3, N5)	1.8 16V	09.97 - 05.01	81	LFY (XU7JP4)
	2.0	09.97 - 05.01	97	RFV (XU10J4R)
306 Break (7E, N3, N5)	1.8 16V	09.97 - 04.02	81	LFY (XU7JP4)
	2.0	03.97 - 04.02	97	RFV (XU10J4R)
306 Cabrio (7D, N3, N5)	1.8 16V	07.00 - 04.02	81	LFY (XU7JP4)
	2.0 16V	09.97 - 04.02	97	RFV (XU10J4R)
306 Hatchback	1.8 16V	09.97 - 05.01	81	LFY (XU7JP4)
	2.0 16V	09.97 - 05.01	97	RFV (XU10J4R)
406 (8B)	1.8 16V	09.97 - 10.00	81	LFY (XU7JP4)
	2.0 16V	09.97 - 03.99	97	RFV (XU10J4R)
406 Break (8E/F)	1.8 16V	09.97 - 10.00	81	LFY (XU7JP4)
	2.0 16V	09.97 - 04.04	97	RFV (XU10J4R)
406 Coupe (8C)	2.0 16V	05.97 - 04.99	97	RFV (XU10J4R)
605 (6B)	2.0 16V	09.97 - 09.99	97	RFV (XU10J4R)
806 (221)	2.0 16V	05.98 - 09.00	97	RFV (XU10J4R)

CL116

OEM-No.
Dacia 60 01 543 604
Nissan 22448-00QAC
Renault 77 00 274 008



oval socket

DACIA

Logan	1.6	09.04 -	64	K7M 710
-------	-----	---------	----	---------

NISSAN

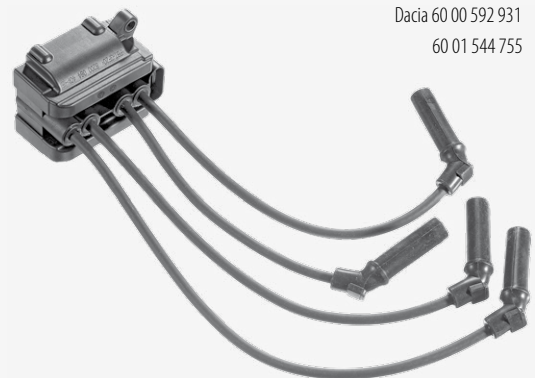
Kubistar (X76)	1.6 16V	08.03 -	70	K4M 752
Primastar Bus (X83)	2.0	03.01 -	88	F4R 722/F4R 720
Primastar Van (X83)	2.0	02.03 -	88	F4R 720

RENAULT

Clio II	1.2	09.98 -	43	D7F 710/ -766/ -720/ -726
Kangoo (KCO/1_)	1.2	08.97 -	43	D7F 710/744/722/720/726
Kangoo Express (FCO/1_)	1.2	08.97 -	43	D7F 710/744/722/720/726
Megane I (BA0/1_)	1.6 e	01.96 - 03.99	66	K7M 702/ -703/ -790
Megane I Cabrio (EA0/1_)	1.6 e	10.96 - 03.99	66	K7M 702/K7M 703
	2.0 16V IDE	11.99 -	103	F5R 740
Megane I Classic (LA0/1_)	1.6 e	09.96 - 03.99	66	K7M 702/ -703/ -790
	1.6 e	03.96 - 03.99	66	K7M 702/K7M 703
Megane I Coach (DA0/1_)	1.6 e	03.96 - 03.99	66	K7M 702/K7M 703
	2.0 16V IDE	11.99 - 08.03	103	F5R 740
Megane I Grandtour	1.4 e	03.99 -	55	E7J 626
	1.6 e	03.99 -	66	K7M 702/K7M 703
Megane Scenic (JA0/1_)	1.6 e	09.97 - 09.99	66	K7M 702/K7M 703
	1.6 i	09.97 - 09.99	55	K7M 720
Twingo (C06_)	1.2	11.98 -	40	D7F 700/D7F 701
	1.2	11.98 -	43	D7F 700/702/704/701/703

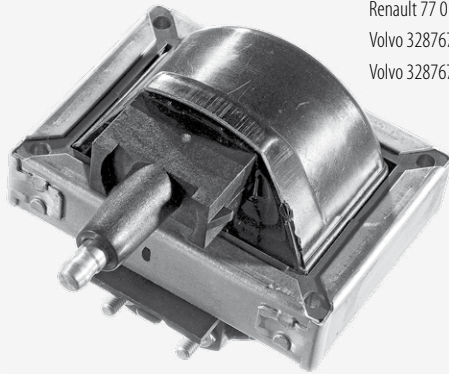
CL117

OEM-No.
Dacia 60 00 592 931
60 01 544 755



DACIA

Logan	1.4	09.04 -	55	K7J 710
-------	-----	---------	----	---------

CL118


OEM-No.
Renault 77 01 031 135
Volvo 3287677
Volvo 3287673

number of connectors: 2

RENAULT

11 (B/C37_)	1.4	03.83 - 12.88	44	C1J 715/C2J 730		
	1.4	03.83 - 12.88	49	C2J 766/-720/-768/-767		
	1.4	03.83 - 12.85	50	C2J 757/C2J 718		
	1.4 Turbo	04.84 - 12.86	77	C1J 764/C1J 760		
	1.4 Turbo	10.86 - 12.88	85	C1J 770/C1J 782		
	1.4	05.83 - 12.85	53	C2J 717/C2J 755		
	1.7	10.86 - 12.88	54	F2N 730		
	1.7	10.84 - 12.88	55	F3N 718		
	1.7	10.83 - 12.87	59	F2N 704/F2N 700		
	1.7	06.87 - 12.88	64	F2N 732/F2N 742		
18 (134_)	2.2 i	06.84 - 07.86	76			
	191 (B/C53_)	1.4	01.88 - 12.92	59	E6J 701/E6J 700	
		1.4	01.89 - 12.89	43	C2J 772	
		1.4 cat	01.89 - 04.92	43	C3J 710	
		1.7	09.88 - 04.92	54	F3N 741/F3N 740	
		1.7	09.88 - 04.92	66	F3N 743/F3N 742	
		1.8 16V	06.89 - 04.92	99	F7P 704	
		191 Chamade (L53_)	1.4	07.88 - 04.92	43	C3J 710/C2J 772
			1.7	07.88 - 04.92	66	F3N 743/F3N 742
			1.7	08.88 - 12.92	79	F3N 746
1.8 16V			10.89 - 04.92	99	F7P 704	
19 II (B/C53_)	1.4	04.92 - 12.95	43	C3J 710		
	1.4	01.92 - 12.95	59	E7J 706/E6J 700		
19 II Chamade (L53_)	1.4	11.93 - 12.95	55	E7J 742		
	1.4	04.92 - 12.95	43	C3J 710		
21 (B48_)	1.7	09.89 - 10.92	54	F3N 726		
	1.7	09.89 - 06.94	66	F3N 723/F3N 722		
	2.0	02.90 - 10.92	99	J7R 740		
	2.0 4x4	09.90 - 10.92	99	J7R 740		
	2.2	09.89 - 06.94	79	J7T 754/J7T 755		
	2.2 4x4	07.90 - 06.94	79	J7T 754/J7T 755		
21 Combi (K48_)	1.7	06.86 - 12.89	54	F2N 750		
	1.7	05.88 - 06.93	54	F3N 726		
	1.7	06.86 - 03.93	55	F2N 712		
	1.7	10.86 - 12.88	65	F2N 710		
	1.7	06.86 - 12.89	69	F3N 723/F3N 722		
	2.0	06.86 - 12.88	85	J7R 750/J7R 751		
	2.2	06.86 - 11.93	79	J7T 754/J7T 755		
	2.2 4x4	06.86 - 12.93	79	J7T 754/J7T 755		
21 Sedan (L48_)	1.7	07.86 - 02.94	54	F3N 726 /F2N 750		
	1.7	03.86 - 12.87	55	F2N 712		
	1.7	03.86 - 03.93	65	F2N 710		
	1.7	06.87 - 04.89	64	F2N 752		
	1.7	09.89 - 02.94	66	F3N 723/F3N 722		

CL118
RENAULT

21 Sedan (L48_)	1.7	03.86 - 02.94	69	F3N 723/F3N 722	
	2.0	03.86 - 12.88	85	J7R 750/J7R 751	
	2.0	02.90 - 06.94	99	J7R 740	
	2.0 4x4	12.89 - 02.94	99	J7R 740	
	2.2	07.86 - 02.94	79	J7T 754/J7T 755	
	2.2 4x4	07.90 - 02.94	79	J7T 754/J7T 755	
25 (B29_)	2.0	04.84 - 12.92	74	J6R 763/-707/-760/-706	
	2.0 12V	06.89 - 12.92	99	J7R 726	
	2.0 12V	06.88 - 12.93	103	J7R 721/J7R 720	
	2.2	11.85 - 03.89	76		
	2.4 V6 Turbo	10.84 - 05.90	133	Z7U 702	
	2.8 V6	06.87 - 02.90	115	Z7W 700	
2.8 V6 Injection	06.87 - 12.92	110	Z7W 706/-707/-709		
9 (L42_)	1.7	10.86 - 12.88	54	F3N 718	
	1.7	10.86 - 12.88	55	F2N 730	
	1.7	10.86 - 12.88	65	F2N 798/-710/-708	
	1.7	06.87 - 12.88	69	F3N 708	
Clio I (B/C57_ 5/357_)	1.2	01.91 - 01.96	40	E7F 706	
	1.2	05.90 - 09.98	43	E7F 750/-700/-708	
	1.4	01.91 - 09.98	59	E7J 710 /E7J 711	
	1.8	01.91 - 09.98	65	F3P 710 /F3P 714	
	1.8	08.94 - 09.98	66	F3P 755 /F3P 754	
	1.8 Rsi	08.95 - 09.98	79	F3P 758	
	1.8 Rsi	01.93 - 08.95	80	F3P 712	
	2.0 Williams	01.94 - 09.98	108	F7R 700	
	Espace I (J11_)	2.0	01.88 - 12.90	74	J6R 734
		2.0	09.84 - 12.87	80	J6R 234/J6R 236
2.0 i		01.89 - 12.90	87	J7R 760	
2.0 i Quadra		03.88 - 12.92	87	J7R 760	
2.2		07.86 - 12.90	79	J7T 770	
2.2 Quadra		01.88 - 12.90	79	J7T 770	
Espace II (J/S63_)	2.0	01.91 - 10.96	76	J7R 768	
	2.2	01.91 - 10.96	79	J7T 772/J7T 776/J7T 773	
	2.2 4x4	03.91 - 12.96	79	J7T 772/J7T 773	
	2.8 V6	01.91 - 10.96	110	Z7W 717/-712/-713	
Laguna (B56_ 556_)	2.0	11.93 - 03.01	83	F3R 722/F3R 723	
Laguna Grandtour (K56_)	2.0	09.95 - 03.01	83	F3R 722/F3R 723	
Master 28-35 I Bus (T_)	2.0	10.86 - 07.98	58	J5R 718	
Master 28-35 I Van (T_)	2.0	10.86 - 07.98	58	J5R 718	
Rapid Van (F40_ G40_)	1.4	07.85 - 08.91	43	C1J 780/C1J 768	
	1.4	03.86 - 08.91	44	C2J 784	
	1.4 cat	08.88 - 03.98	43	C3J 762/-700/-702/-760	
Super 5 (B/C40_)	1.4	10.84 - 06.88	43	C1J 780/C1J 768	
Super 5 (B/C40_)	1.4	06.87 - 08.90	44	C2J 784	
	1.4	10.84 - 07.89	52	C2J 789/-700/-780/-781	
	1.4 cat	10.85 - 12.96	43	C3J 700/-702/-760	
	1.4 Turbo	04.85 - 08.90	88	C1J 784/-782/-788	
	1.7	06.87 - 07.89	49	C2J 782	
Trafic Bus (T5, T6, T7)	1.7	10.86 - 03.95	54	F3N 716 /F3N 717	
	1.7	06.87 - 03.95	64	F2N 742/F2N 740	
	1.7 i (C409)	10.86 - 08.91	69	F3N 722/F3N 702	
	1.7	06.86 - 04.89	50	F1N 724	
	2.0	06.86 - 04.89	59	J5R 722 -716/-726	
Trafic Bus (TXW)	2.0 4x4	06.86 - 04.89	59	J5R 722 -716/-726	
	1.7	08.92 - 08.94	50	F1N 724	
	2.0	05.89 - 08.90	59	J5R 726	
Trafic Flatbed (P6)	2.2	05.89 - 06.94	70	J7T 780	
	2.2 4x4	05.89 - 06.94	70	J7T 780	
	1.7	06.86 - 04.89	50	F1N 722	
2.0	03.80 - 04.89	59	J5R 726		



CL118
RENAULT

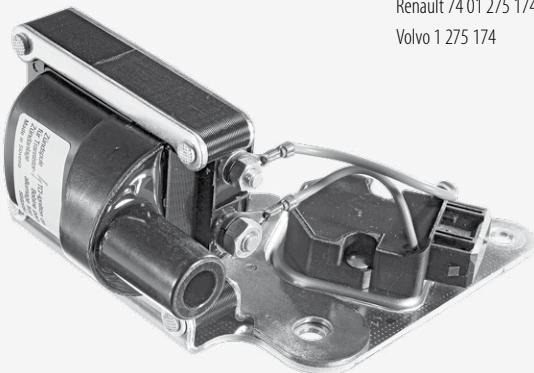
Trafic Flatbed (PXX)	1.7	05.89 - 08.94	50	F1N 722
	2.0 RWD	05.89 - 10.97	59	J5R 726
Trafic Van (T1, T3, T4)	1.7	06.86 - 04.89	50	F1N 724
	2.0	06.86 - 04.89	59	J5R 722/ -716/ -726
	2.0 4x4	06.86 - 04.89	59	J5R 722 -716/ -726
Trafic Van (TXX)	1.7	08.92 - 08.94	50	F1N 720
	2.0	05.89 - 08.90	59	J5R 716
	2.2	05.89 - 06.94	70	J7T 780
	2.2 4x4	05.89 - 06.94	70	J7T 780

VOLVO

340-360 (343, 345)	1.4	08.82 - 08.85	46	B 14.3 E	
	1.4	08.86 - 12.88	50	B 14.4 S	
	1.4	08.87 - 07.88	51	B 14.4 S	
	1.7	08.85 - 07.91	59	B 17 2 K	
	2.0	08.84 - 07.87	77	B 200 K	
	2.0	08.88 - 07.89	80	B 200 F	
	2.0	08.87 - 07.88	81	B 200 F	
	2.0	08.86 - 07.88	82	B 200 E/B 200 F	
	2.0	08.84 - 07.86	87	B 200 E	
	340-360 Sedan (344)	1.4	08.87 - 07.88	51	B 14.4 S
1.7		08.85 - 07.91	59	B 17 2 K	
2.0		08.84 - 07.90	75	B 200 K	
2.0		08.84 - 07.87	77	B 200 K	
2.0		08.87 - 07.88	81	B 200 EA	
2.0		08.86 - 07.88	82	B 200 EA	
2.0		08.84 - 07.86	85	B 200 E	
2.0		08.84 - 07.86	87	B 200 E	
440 K (445)		1.7	09.88 - 12.96	64	B 18 KP
		1.7	08.88 - 07.89	70	B 18 F
	1.7	08.89 - 12.96	75	B 18 FP	
460 L (464)	1.7	09.88 - 07.96	64	B 18 KP	
460 L (464)	1.7	08.89 - 07.92	75	B 18 EP	
480 E	1.7	08.87 - 07.89	70	B 18 F	
	1.7	08.89 - 07.96	75	B 18 EP	
	1.7	04.86 - 07.89	78	B 18 E	
	1.7	08.86 - 07.88	80	B 18 E	

CL119

OEM-No.
Renault 74 01 275 174
Volvo 1 275 174


RENAULT

Safrane II (B54_)	2.5 20V	07.96 - 12.00	121	N7U 700/N7U 701
-------------------	---------	---------------	-----	-----------------

VOLVO

850 (LS)	2.0	08.94 - 12.96	93	B 5202 S
	2.0	06.91 - 12.96	105	B 5204 F
	2.0 Turbo	08.93 - 12.96	155	B 5204 T/B 5204 FT
	2.3 T5	08.93 - 07.96	166	B 5234 FT
	2.3 T5-R	08.95 - 12.96	184	B 5234 T4

CL119
VOLVO

850 (LS)	2.5	06.91 - 07.94	103	B 5252	
	2.5	08.94 - 12.96	106	B 5252 S	
	2.5	08.91 - 12.96	125	B 5254 S	
	850 Combi (LW)	2.0	08.94 - 12.96	93	B 5202 S
		2.0	02.93 - 12.96	105	B 5204 F
		2.0 Turbo	02.93 - 12.96	155	B 5204 T/B 5204 FT
		2.3 T5	02.93 - 12.96	166	B 5234 FT
		2.3 T5-R	08.95 - 12.96	184	B 5234 T4
	2.5 AWD	04.96 - 12.96	142	B 5254 T	
	2.5	08.92 - 07.94	103	B 5252	
2.5	08.94 - 12.96	106	B 5252 S		
2.5	09.92 - 12.96	125	B 5254 S		
C70 I Cabrio	2.0	03.98 - 10.05	132	B 5204 T2	
C70 I Coupe	2.0	03.97 - 09.02	132	B 5204 T2	
	2.0 T	03.97 - 07.98	166	B 5204 T3	
	2.3 T-5	03.97 - 07.98	176	B 5234 T3	
	2.5 T	03.97 - 09.02	142	B 5254 T/B 5244 T	
	S70 (P80_)	2.0	01.97 - 11.00	93	B 5202 S
2.0		01.97 - 11.00	105	B 5204 F	
2.0		01.97 - 11.00	132	B 5204 T2	
2.0 Turbo		01.97 - 11.00	155	B 5204 T	
2.3 T-5		01.97 - 07.98	176	B 5234 T3	
2.3 Turbo		01.97 - 11.00	184	B 5234 FT+	
2.4 Turbo		01.97 - 07.98	142	B 5254 T/B 5244 T	
2.5		01.97 - 11.00	106	B 5252 S	
2.5		06.98 - 11.00	121		
2.5 Bifuel		10.98 - 11.00	106	GB 5252 S	
V70 I Combi (P80_)		2.0	01.97 - 03.00	93	B 5202 S
		2.0	01.97 - 03.00	105	
		2.0	01.97 - 03.00	132	B 5204 T2
		2.0 Turbo	01.97 - 07.98	155	B 5204 T
		2.0 Turbo	01.97 - 07.98	166	B 5204 T3
	2.0 Turbo AWD	01.97 - 07.98	166	B 5204 T3	
	2.3 T AWD	04.97 - 03.00	184	B 5234 FT+	
	2.3 T-5	01.97 - 07.98	176	B 5234 T3	
	2.3 T-5 AWD	01.97 - 07.98	176	B 5234 T3	
	2.3 Turbo	01.97 - 03.00	184	B 5234 FT+	
	2.4 Turbo	01.97 - 07.98	142	B 5254 T/B 5244 T	
	2.5	01.97 - 03.00	106	B 5252 S	
	2.5	06.98 - 03.00	121	B 5254 S	
	2.5 Bifuel	10.98 - 08.99	106	GB 5252 S	
	2.5 Turbo AWD	01.97 - 07.98	142	B 5254 T/B 5244 T	

CL120

OEM-No.
PSA 5970 90
5970 97
96 543 470 80



color of socket: grey

CITROEN

Berlingo (MF)	1.4 i	07.96 -	55	KFX-KFW (TU3JP)
---------------	-------	---------	----	-----------------

CL120
CITROEN

Berlingo Van (M_)	1.4 i	07.96 -	55	KFX-KFW (TU3JP)
C2 (JM_)	1.4	09.03 -	54	KFV (TU3JP)
C3 Pluriel (HB_)	1.4	05.03 -	54	KFV (TU3JP)

PEUGEOT

1007 (KM_)	1.4	04.05 -	54	KFV (TU3JP)
206 (2A/C, T3E)	1.4 i	09.98 -	55	KFX-KFW (TU3JP)
206 Sedan	1.4	03.07 -	55	
207 (WA_, WC_)	1.4	02.06 -	53	KFV (TU3A)
207 SW (WK_)	1.4	06.07 -	54	KFV (TU3A)
Partner Combispac	1.4	09.05 -	55	KFX-KFW (TU3JP)/TU32

CL121


OEM-No.
Volvo 30 713 416
9 125 601

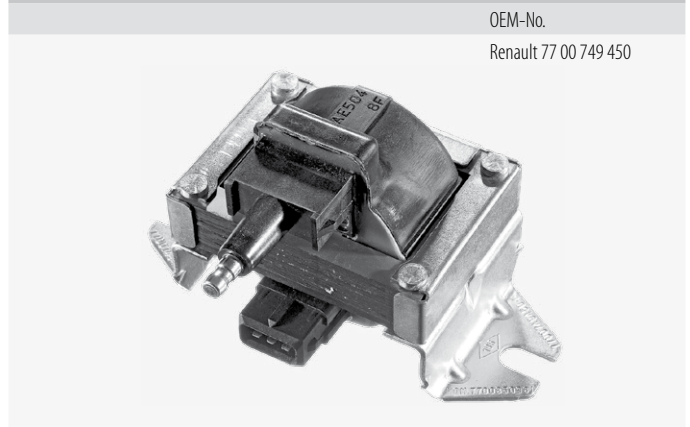
1 coil per cylinder

VOLVO

C70 I Cabrio	2.0T	03.00 - 10.05	120	B 5204 T4
	2.0T	03.98 - 10.05	166	B 5204 T3
	2.3T5	07.02 - 10.05	180	B 5234 T9
	2.3T-5	03.98 - 10.05	176	B 5234 T3
	2.4T	07.02 - 10.05	147	B 5244 T7
	2.5	06.98 - 10.05	125	B 5254 S
	2.5T	03.98 - 10.05	142	B 5254 T/B 5244 T
C70 I Coupe	2.0T	03.00 - 09.02	120	B 5204 T4
	2.0T	08.98 - 09.02	166	B 5204 T3
	2.3T-5	08.98 - 09.02	176	B 5234 T3
	2.5	03.99 - 09.02	121	
S60	2.5	05.99 - 09.02	125	B 5244 S/B 5254 S
	2.0T	09.01 -	132	B 5204 T5
	2.3T5	11.00 -	184	B 5234 T3
	2.4	11.00 -	103	B 5244 S2
	2.4	11.00 -	125	B 5244 S
	2.4 Bifuel	06.02 -	103	B 5244 SG2
	2.5T	02.04 -	154	B 5254 T2
S70 (P80_)	2.0 Turbo	01.97 - 11.00	166	B 5204 T3
	2.3T-5	08.98 - 11.00	176	B 5234 T3
	2.4	08.99 - 11.00	103	B 5244 SG/B 5244 S2
	2.4	01.97 - 11.00	125	B 5244 S/B 5254 S
	2.4 Turbo	08.98 - 11.00	142	B 5254 T/B 5244 T
S80 (TS, XY)	2.0	06.98 - 07.06	120	B 5204 T4
	2.0T	12.99 - 07.06	132	B 5204 T5
	2.0T	06.98 - 07.06	166	B 5204 T3
	2.4 Bifuel	09.01 - 07.06	103	B 5244 SG2
	2.4	01.99 - 07.06	103	B 5244 S2
	2.4	01.99 - 07.06	125	B 5244 S
	2.4T	06.00 - 07.06	147	B 5244 T3
	2.5T AWD	07.03 - 07.06	154	B 5254 T2
	2.8T6	05.98 - 07.06	200	B 6284 T

CL121
VOLVO

S80 (TS, XY)	2.9	03.99 - 07.06	147	B 6294 S
	2.9	05.98 - 07.06	150	B 6304 S3
	3.0	06.01 - 07.06	144	B 6294 S2
	3.0T6	06.01 - 07.06	200	B 6294 T
V70 I Combi (P80_)	2.0 Turbo	08.98 - 03.00	155	B 5204 T
	2.0 Turbo	08.98 - 03.00	166	B 5204 T3
	2.0 Turbo AWD	08.98 - 03.00	166	B 5204 T3
	2.3T-5	08.98 - 03.00	176	B 5234 T3
	2.3T-5 AWD	08.98 - 03.00	176	B 5234 T3
	2.4	08.99 - 05.00	103	B 5244 SG2/B 5244 S2
	2.4	01.97 - 05.00	125	B 5254 S
	2.4 Turbo	08.98 - 03.00	142	B 5254 T/B 5244 T
	2.5 Turbo AWD	08.98 - 05.00	142	B 5254 T/B 5244 T
V70 II Combi (P80_)	2.0T	07.01 -	132	B 5204 T5
	2.3T5	03.00 -	184	B 5234 T3/B 5234 T4
	2.4	03.00 -	103	B 5244 S2
	2.4	03.00 -	125	B 5244 S
	2.4 Bifuel	09.01 -	103	B 5244 SG
	2.4T	03.00 -	147	B 5244 T3
	2.4T AWD	09.01 -	147	B 5244 T3
	2.5T	04.04 -	154	B 5254 T2
	2.5T AWD	09.02 -	154	B 5254 T2
XC 70 Cross Country	2.4T XC AWD	03.00 - 09.02	147	B 5244 T3
	2.5T XC AWD	09.02 -	154	B 5254 T2
XC 90	2.5T	10.02 -	154	B 5254 T2
	3.0T6	10.02 -	200	B 6294 T

CL122


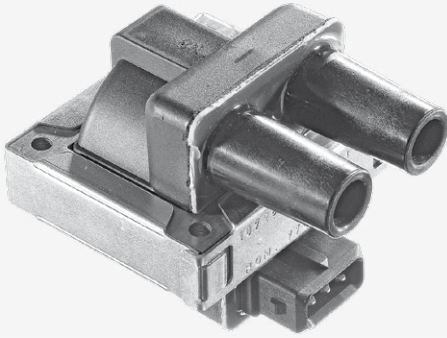
OEM-No.
Renault 77 00 749 450

RENAULT

19 II (B/C53_)	1.8	05.94 - 12.95	79	F3P 765/F3P 682
19 II Chamade (L53_)	1.8	05.94 - 12.95	79	F3P 682
Clio I (B/C57_, S/357_)	1.2	01.96 - 12.96	40	C3G 720
Rapid Box (F40_, G40_)	1.2	09.91 - 03.98	40	C3G 712/C3G 710
Twingo (C06_)	1.2	03.93 - 10.96	40	C3G 702/C3G 700

CL123

OEM-No.
Renault 77 00 107 269

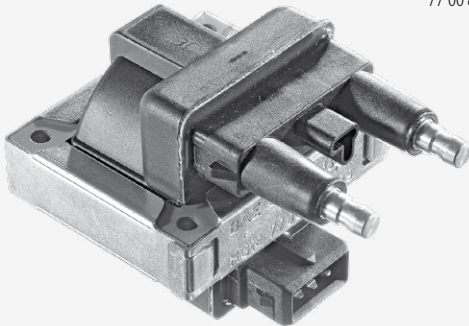


RENAULT

Espace III (JE0_)	2.0	04.97 - 10.00	84	F3R 769/-728/-742/-729/-768
Laguna (B56_, 556_)	1.8	04.97 - 03.01	66	F3P 678/F3P 670
Laguna Grandtour (K56_)	1.8	04.97 - 03.01	66	F3P 678/F3P 670
Megane I (BA0/1_)	2.0 16V	07.96 -	108	F7R 710/F7R 714
	2.0i	03.99 -	80	F3R 751/F3R 750
	2.0i	03.97 - 02.99	84	F3R 751/F3R 750
Megane I Cabrio (EA0/1_)	2.0i	03.99 -	80	F3R 791/F3R 796
Megane I Classic (LA0/1_)	2.0i	09.98 -	84	F3R 751/F3R 750
Megane I Coach (DA0/1_)	2.0i	09.98 - 08.03	84	F3R 751/F3R 750
Megane Scenic (JA0/1_)	2.0i	01.99 - 09.99	80	F3R 796
	2.0i	01.97 - 09.99	84	F3R 751/F3R 750

CL124

OEM-No.
Renault 77 00 854 306
77 00 872 265



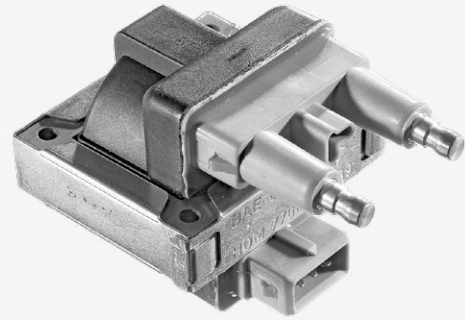
AK, color of socket: black

RENAULT

21 Sedan (L48_)	2.0 Turbo	02.90 - 10.92	119	J7R 756
	2.0 Turbo 4x4	02.90 - 10.92	119	J7R 756
Espace III (JE0_)	2.0	11.96 - 04.97	84	F3R 769/-728/-742/-729/-768
	3.0	11.96 - 10.98	123	Z7X 775
Laguna (B56_, 556_)	1.8	08.95 - 03.01	66	F3P 678/F3P 670
	3.0	11.93 - 03.01	123	Z7X 765/Z7X 760
Laguna Grandtour (K56_)	1.8	09.95 - 03.01	66	F3P 678/F3P 670
	3.0	02.96 - 03.01	123	Z7X 765
Megane I (BA0/1_)	2.0i	01.96 - 03.97	84	F3R 751/F3R 750
Megane I Cabrio (EA0/1_)	2.0i	03.99 -	80	F3R 791/F3R 796
Megane I Classic (LA0/1_)	2.0i	04.97 -	84	F3R 751/F3R 750
Megane I Coach (DA0/1_)	2.0i	04.97 - 08.03	84	F3R 751/F3R 750
Megane Scenic (JA0/1_)	2.0i	01.99 - 09.99	80	F3R 796
	2.0i	01.97 - 09.99	84	F3R 751/F3R 750

CL125

OEM-No.
Renault 77 00 854 307
77 00 872 692



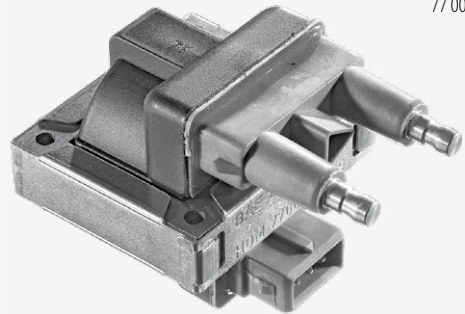
BK, color of socket: grey

RENAULT

21 Sedan (L48_)	2.0 Turbo	02.90 - 10.92	119	J7R 756
	2.0 Turbo 4x4	02.90 - 10.92	119	J7R 756
Espace III (JE0_)	3.0	11.96 - 10.98	123	Z7X 775
Laguna (B56_, 556_)	3.0	11.93 - 03.01	123	Z7X 765/Z7X 760
Laguna Grandtour (K56_)	3.0	02.96 - 03.01	123	Z7X 765

CL126

OEM-No.
Renault 77 00 858 320
77 00 872 693



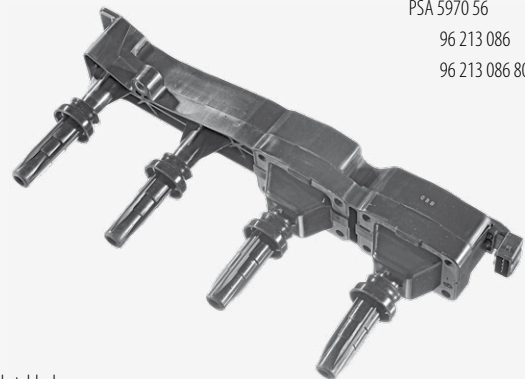
CK, color of socket: brown

RENAULT

Espace III (JE0_)	3.0	11.96 - 10.98	123	Z7X 775
Laguna (B56_, 556_)	3.0	11.93 - 03.01	123	Z7X 765/Z7X 760
Laguna Grandtour (K56_)	3.0	02.96 - 03.01	123	Z7X 765

CL127

OEM-No.
PSA 5970 56
96 213 086
96 213 086 80



color of socket: black

CITROEN

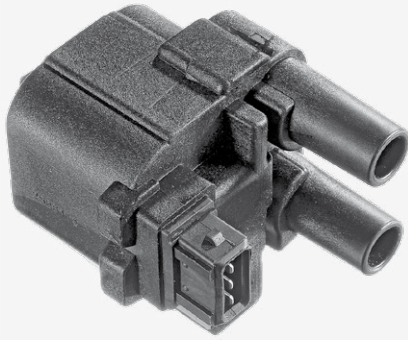
Saxo (S0, S1)	1.6 VTS	06.96 - 09.03	87	NFX (TU5JP4)
---------------	---------	---------------	----	--------------

PEUGEOT

106 II (1)	1.6 S16	05.96 -	87	NFX (TU5J4)
------------	---------	---------	----	-------------

CL128

OEM-No.
Renault 77 00 100 589



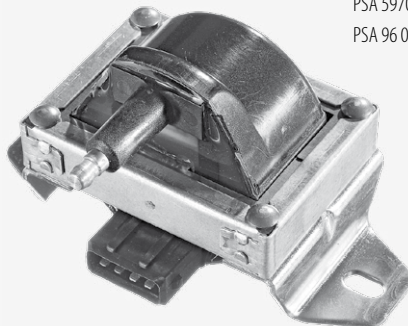
for cylinder 1 & 4 (CL102: 2 & 3)

RENAULT

Clio II	1.4	09.98 - 05.05	55	E7J 780
	1.6	09.98 - 05.05	66	K7M 744/K7M 745
Kangoo (KCO/1_)	1.4	08.97 -	55	E7J 634/-635/K7J 701/-700
Kangoo Express (FCO/1_)	1.4	08.97 -	55	K7J 701/E7J 634/-635/-780
Megane I (BA0/1_)	1.6 e	04.97 - 03.99	66	K7M 702/-703/K7M 790
	1.6 i	04.97 - 03.99	55	K7M 720
Megane I Cabrio (EA0/1_)	1.6 e	04.97 - 03.99	66	K7M 702/K7M 703
Megane I Classic (LA0/1_)	1.6 e	04.97 - 03.99	66	K7M 702/-703/K7M 790
Megane I Coach (DA0/1_)	1.6 e	04.97 - 03.99	66	K7M 702/K7M 703
Megane Scenic (JA0/1_)	1.6 e	04.97 - 09.99	66	K7M 702/K7M 703
	1.6 i	04.97 - 09.99	55	K7M 720

CL129

OEM-No.
Fiat 96 041 378 80
PSA 5970 47
PSA 96 041 378



CITROEN

Jumper Bus (230P)	2.0	02.94 - 04.02	80	RFW (XU10J2U)
	2.0 4x4	08.96 - 04.02	80	RFW (XU10J2U)
Jumper Flatbed (230)	2.0	03.94 - 04.02	80	RFW (XU10J2U)
Jumper Van (230L)	2.0	03.94 - 04.02	80	RFW (XU10J2U)
	2.0 4x4	10.96 - 01.02	80	
XM (Y3)	2.0 i	05.89 - 04.94	79	RDZ (XU10MZ)
	3.0 V6	05.89 - 06.94	123	UFZ (ZPJ/Z)/SFZ (ZPJ/Z)
	3.0 V6 24V	07.90 - 06.94	147	UKZ (ZPJ/Z)/SKZ (ZPJ/Z)
XM (Y4)	3.0 V6	05.94 - 10.00	123	UFZ (ZPJ/Z)/SFZ (ZPJ/Z)
	3.0 V6 24V	05.94 - 10.00	147	UKZ (ZPJ/Z)/SKZ (ZPJ/Z)
XM Break (Y3)	2.0 i	11.91 - 04.94	79	RDZ (XU10MZ)/XU102C
	3.0 V6	11.91 - 04.94	123	UFZ (ZPJ/Z)/SFZ (ZPJ/Z)
XM Break (Y4)	3.0 V6	05.94 - 10.00	123	UFZ (ZPJ/Z)/SFZ (ZPJ/Z)

FIAT

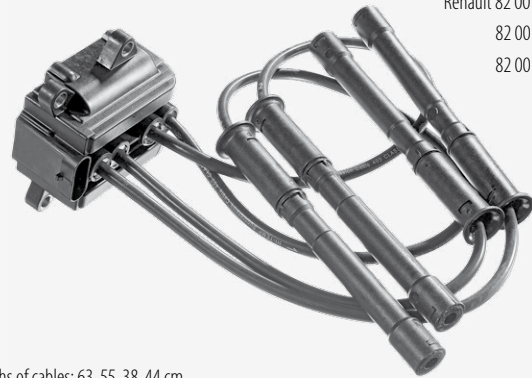
Ducato Bus (230)	2.0 Panorama	03.94 - 04.02	80	RFW
Ducato Van (230L)	2.0	03.94 - 04.02	80	RFW

PEUGEOT

605 (6B)	2.0	02.90 - 09.99	79	
----------	-----	---------------	----	--

CL130

OEM-No.
Renault 82 00 025 256
82 00 051 128
82 00 084 401



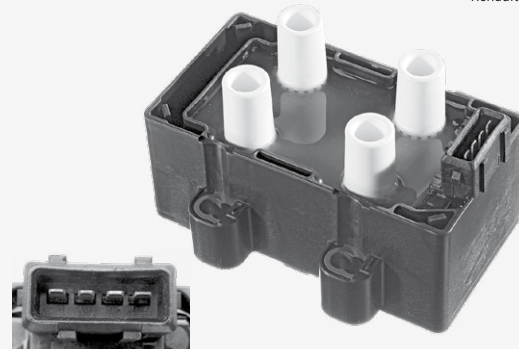
lengths of cables: 63-55-38-44 cm

RENAULT

Clio II	1.2 16V	06.01 - 06.04	55	D4F 714/-712/-722
Kangoo (KCO/1_)	1.2 16V	06.01 - 06.04	55	D4F 714/-716/-712
Kangoo Express (FCO/1_)	1.2 16V	10.01 - 06.04	55	D4F 714/D4F 712
Twingo (CO6_)	1.2 16V	01.01 -	55	D4F 704/D4F 702

CL131

OEM-No.
Renault 77 00 872 449
77 00 872 834
77 00 873 701
82 00 141 149



rectangular socket

RENAULT

Clio I (B/C57_5/357_)	1.2	01.96 - 09.98	40	D7F 730
	1.2	01.96 - 09.98	43	D7F 730
Clio II	1.2	09.98 -	43	D7F 710/-766/-720/-726
	2.0 16V Sport	02.00 -	124	F4R 730
Clio II Van	1.1	09.98 -	43	D7F 722/D7F 720
Kangoo (KCO/1_)	1.2	03.03 -	43	D7F 710/-744/-722/-720
Kangoo Express	1.2	03.03 -	43	D7F 710/-744/-722/-720
Twingo (CO6_)	1.2	05.96 - 10.98	40	D7F 700/D7F 701
	1.2	05.96 - 10.98	43	D7F 700/-702/-704/-701

CL132



OEM-No.
PSA 5970 55
96 213 181

1 coil per cylinder, number of connectors: 2

CITROEN

Xsara Coupe (N0)	2.0 i 16V	02.98 - 03.05	120	RFS (XU10J4RS)
ZX (N2)	2.0 i 16V	07.95 - 06.97	110	RFT (XU10J4/Z)
	2.0 i 16V	05.96 - 06.97	120	RFS (XU10J4RS)

PEUGEOT

306 Hatchback	2.0 S16	03.96 - 05.01	120	RFS (XU10J4RS)
---------------	---------	---------------	-----	----------------

CL133



OEM-No.
PSA 5970 84

top cover width: 55 mm

CITROEN

C4 Coupe (LA_)	2.0 16V	11.04 -	130	EW10J4S/RFK(EW10J4S)
C8 (EA_, EB_)	2.2	07.02 -	116	3FZ (EW12J4)

PEUGEOT

307 (3A/C)	2.0 16V	06.05 -	130	RFK (EW10J4S)
307 CC (3B)	2.0 16V	10.03 -	130	RFK (EW10J4S)
406 (8B)	2.2	07.00 - 05.04	116	3FZ (EW12J4)
406 Break (8E/F)	2.2	07.00 - 10.04	116	3FZ (EW12J4)
406 Coupe (8C)	2.2	03.02 - 12.04	116	3FZ (EW12J4)
407 (6D_)	2.2	05.04 -	116	3FZ (EW12J4)
407 Coupe (6C_)	2.2 16V	10.05 -	120	3FY (EW12J4)
407 SW (6E_)	2.2	05.04 -	116	3FZ (EW12J4)
607 (9D, 9U)	2.2 16V	02.00 -	116	3FZ (EW12J4)
807 (E)	2.2	06.02 -	116	3FZ (EW12J4)

CL134



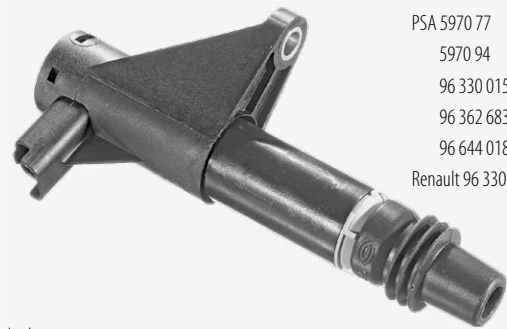
OEM-No.
Renault 82 00 360 911
82 00 702 128
82 00 702 693

lengths of cables: 47-42-42-42 cm

RENAULT

Clio II	1.2 16V	06.01 -	55	D4F 714/ -712/ -722
Clio III (BR0/1, CR0/1)	1.2 16V	06.05 -	48	D4F 740
	1.2 16V	06.05 -	55	D4F 740
	1.2 16V	06.05 -	58	D4F 764
Kangoo (KCO/1_)	1.2 16V	06.01 -	55	D4F 714/ -716/ -712
Kangoo Express	1.2 16V	10.01 -	55	D4F 714/D4F 712
Modus (F/JPO_)	1.2	05.05 -	48	D4F 740
	1.2	12.04 -	55	D4F 740
	1.2	12.04 -	58	D4F 764
Thalia (LB0/1/2)	1.2 16V	04.02 -	55	D4F 712

CL135



OEM-No.
Fiat 9633001580
Lancia 96 33 001 580
PSA 5970 77
5970 94
96 330 015 80
96 362 683
96 644 018 80
Renault 96 330 015 80

1 coil per cylinder

CITROEN

C5 (DC_)	3.0V6	03.01 - 08.04	152	XFX (ES9J4S)
	3.0V6	09.04 -	152	XFV(ES9A)/XFX(ES9J4S)
C5 Break (DE_)	3.0V6	06.01 - 08.04	152	XFX (ES9J4S)
	3.0V6	09.04 -	152	XFV (ES9A)
C8 (EA_, EB_)	3.0V6	07.02 -	150	XFX (ES9J4S)

FIAT

Ulysse (179AX)	3.0V6	08.02 -	150	XFW
----------------	-------	---------	-----	-----

LANCIA

Phedra (179)	3.0V6	09.02 -	150	ES9 J4S
--------------	-------	---------	-----	---------

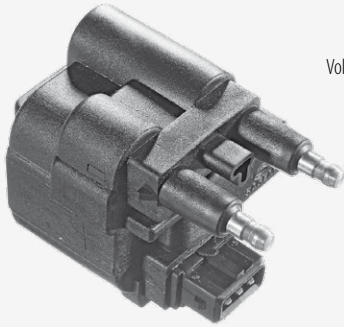
PEUGEOT

406 (8B)	3.0V6	03.00 - 05.04	152	XFX (ES9J4S)
406 Break (8E/F)	3.0V6	03.00 - 10.04	152	XFX (ES9J4S)
406 Coupe (8C)	3.0V6	03.00 - 12.04	152	XFX (ES9J4S)
407 (6D_)	3.0	05.04 -	155	XFV (ES9A)
407 Coupe (6C_)	3.0V6	10.05 -	155	XFV (ES9A)
407 SW (6E_)	3.0	05.04 -	155	XFV (ES9A)
607 (9D, 9U)	3.0V6 24V	02.00 -	152	XFX (ES9J4S)

CL135

CL135			
PEUGEOT			
807 (E)	3.0V6	06.02 -	150 XFX (ES9J4S)
RENAULT			
Avantime (DE0_)	3.0V6	09.01 - 05.03	152 L7X 720/L7X 721
Clio II	3.0V6 Sport	12.02 -	187 L7X 762
Laguna II (BG0/1_)	3.0V6 24V	03.01 -	152 L7X 731
Laguna II Grandtour	3.0V6 24V	03.01 -	152 L7X 731

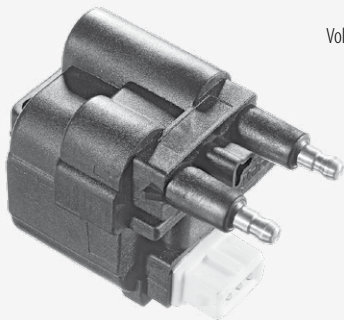
CL136	
	OEM-No.
	Renault 77 00 863 020 77 00 865 923 77 01 041 607
	Volvo 70 863 020 70 863 020-7



for cylinder 1 & 4 (CL137: 2 & 3)

RENAULT			
Laguna (B56_, 556_)	2.0 16V	06.95 - 03.01	102 N7Q 700/N7Q 704
Laguna Grandtour (K56_)	2.0 16V	09.95 - 03.01	102 N7Q 700/N7Q 704
Safrane II (B54_)	2.0 16V	07.96 - 12.00	100 N7Q 710/N7Q 711
VOLVO			
S40 I (VS)	1.6	09.95 - 08.99	77 B 4164 S
	1.8	07.95 - 08.99	85 B 4184 S3/B 4184 S
	2.0	07.95 - 08.99	103 B 4204 S
V40 Combi (VW)	1.6	12.95 - 08.99	77 B 4164 S
	1.8	07.95 - 08.99	85 B 4184 S3/B 4184 S
	2.0	07.95 - 08.99	103 B 4204 S

CL137	
	OEM-No.
	Renault 77 00 863 021 77 01 041 608
	Volvo 70 863 021 70 863 021-5



for cylinder 2 & 3 (CL136: 1 & 4)

RENAULT			
Laguna (B56_, 556_)	2.0 16V	06.95 - 03.01	102 N7Q 700/N7Q 704
Laguna Grandtour (K56_)	2.0 16V	09.95 - 03.01	102 N7Q 700/N7Q 704
Safrane II (B54_)	2.0 16V	07.96 - 12.00	100 N7Q 710/N7Q 711
VOLVO			
S40 I (VS)	1.6	09.95 - 08.99	77 B 4164 S
	1.8	07.95 - 08.99	85 B 4184 S3/B 4184 S
	2.0	07.95 - 08.99	103 B 4204 S
V40 Combi (VW)	1.6	12.95 - 08.99	77 B 4164 S
	1.8	07.95 - 08.99	85 B 4184 S3/B 4184 S
	2.0	07.95 - 08.99	103 B 4204 S

CL138	
	OEM-No.
	PSA 5970 87



CITROEN			
C4 (LC_)	2.0 16V	11.04 -	103 RFJ-EW10A/EW10A
C5 (DC_)	2.0 16V	03.01 - 08.04	100 RFN (EW10J4)
C5 (RC_)	2.0 16V	09.04 -	103 RFJ-EW10A/EW10A
C5 Break (DE_)	2.0 16V	06.01 - 08.04	100 RFN (EW10J4)
C5 Break (RE_)	2.0 16V	09.04 -	103 RFJ-EW10A
PEUGEOT			
307 (3A/C)	2.0 16V	03.05 -	103 RFJ (EW10A)
307 Break (3E)	2.0 16V	03.05 -	103 RFJ (EW10A)
307 CC (3B)	2.0 16V	03.05 -	103 RFJ (EW10A)
307 SW (3H)	2.0 16V	03.05 -	103 RFJ (EW10A)
407 (6D_)	1.8 16V	09.05 -	92 6FY (EW7A)
	2.0 16V	09.05 -	103 RFJ (EW10A)
407 SW (6E_)	1.8 16V	09.05 -	92 6FY (EW7A)
	2.0 16V	09.05 -	103 RFJ (EW10A)
807 (E)	2.0 16V	09.05 -	103 RFJ (EW10A)
Expert Tepee (VF3V_)	2.0 16V	01.07 -	103 RFJ / RFH (EW10A)

CL139	
	OEM-No.
	PSA 5970 92

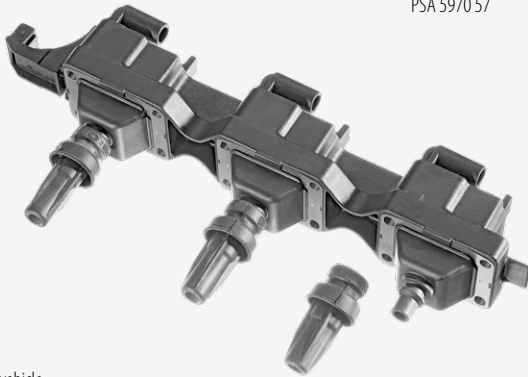


top cover width: 40 mm

CITROEN			
C8 (EA_, EB_)	2.2	07.02 -	116 3FZ (EW12J4)
PEUGEOT			
407 (6D_)	2.2	05.04 -	116 3FZ (EW12J4)
607 (9D, 9U)	2.2 16V	02.00 -	116 3FZ (EW12J4)
807 (E)	2.2	06.02 -	116 3FZ (EW12J4)

CL140

OEM-No.
PSA 5970 57



2 coils per vehicle

CITROEN

Xantia (X1)	3.0 i 24V	01.97 - 01.98	140	XFZ (ES9J4)
Xantia (X2)	3.0V6	01.98 - 04.03	140	XFZ (ES9J4)
Xantia Break (X2)	3.0V6	01.98 - 04.03	140	XFZ (ES9J4)
XM (Y4)	3.0V6	04.97 - 10.00	140	XFZ (ES9J4)
XM Break (Y4)	3.0V6	04.97 - 10.00	140	XFZ (ES9J4)

PEUGEOT

406 (8B)	3.0 24V	10.96 - 05.04	140	XFZ (ES9J4)
406 Break (8E/F)	3.0 24V	10.96 - 10.04	140	XFZ (ES9J4)
406 Coupe (8C)	3.0V6 24V	03.97 - 12.04	140	XFZ (ES9J4)
605 (6B)	3.0V6	04.97 - 09.99	140	ES 9 J4

CL141

OEM-No.
PSA 5970 81



color of socket: grey

CITROEN

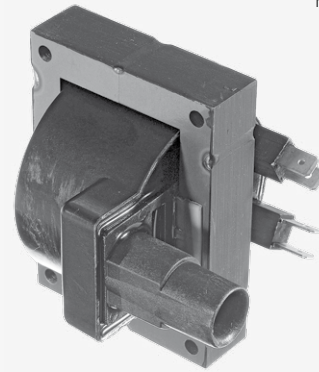
Saxo (S0, S1)	1.6	02.96 - 04.04	88	NFX (TU5JP4)
	1.6 VTS	06.96 - 09.03	87	NFX (TU5JP4)

PEUGEOT

106 II (1)	1.6 S16	05.96 -	87	NFX (TU5J4)
------------	---------	---------	----	-------------

CL146

OEM-No.
Renault 77 01 021 954
77 01 029 799



number of connectors: 4

RENAULT

9 (L42_)	1.2	09.85 - 12.88	40	C1G 700/C1G 710	
	1.4	12.81 - 12.88	44	C1J 715/-792/-730/-796	
	1.4	09.85 - 12.88	49	C2J 766/-720/-768/-767	
	1.4	09.81 - 12.85	53	C2J 717/C2J 755	
	1.4 Automatic	09.81 - 12.85	50	C2J 757/C2J 718	
	1.4 Turbo	04.84 - 12.86	77	C1J 764/C1J 760	
	1.4 Turbo	12.86 - 12.89	85	C1J 764/C1J 760	
	1.7	10.86 - 12.88	54	F3N 718	
	1.7	10.86 - 12.88	55	F2N 730	
	1.7	09.84 - 12.88	59	F2N 704/F2N 700	
	1.7	10.86 - 12.88	65	F2N 798/-710/-708	
	1.7	06.87 - 12.88	69	F3N 708	
	11 (B/C37_)	1.2	10.84 - 12.88	40	C1G 700/C1G 710
		1.4	03.83 - 12.88	44	C1J 715/C2J 730
1.4		03.83 - 12.88	49	C2J 766/-720/-768/-767	
1.4		03.83 - 12.85	50	C2J 757/C2J 718	
1.4		05.83 - 12.85	53	C2J 717/C2J 755	
1.4 Turbo		04.84 - 12.86	77	C1J 764/C1J 760	
1.4 Turbo		10.86 - 12.88	85	C1J 770/C1J 782	
1.7		10.86 - 12.88	54	F2N 730	
1.7		10.84 - 12.88	55	F3N 718	
1.7		10.83 - 12.87	59	F2N 704/F2N 700	
1.7		06.87 - 12.88	64	F2N 732/F2N 742	
1.7		10.86 - 12.88	65	F2N 798/-710/-708	
18 (134_)		1.4	04.78 - 07.86	47	847 720/847 722
		1.6	04.82 - 07.86	54	841 717/A2M 723
	1.6	04.78 - 09.82	58	841 725/841 726	
	1.6 TS	05.82 - 07.86	71	A6M 725/A6M 726	
	1.6 Turbo	10.80 - 09.82	80	807 727	
	1.6 Turbo	10.82 - 07.86	92	A5L 718/A5L 717	
	2.0	05.82 - 07.86	77	J6R 716	
	18 Variable (135_)	1.4	05.79 - 07.86	47	847 720/847 722
		1.6	01.82 - 07.86	54	841 717/A2M 723
		1.6	05.79 - 09.82	58	841 725/841 726
1.6 4x4		01.83 - 07.86	54	841 717/A2M 723	
1.6 4x4		02.79 - 06.81	58	841 725	
1.6 TS		05.82 - 07.86	71	A6M 725/A6M 726	
1.6 Turbo		10.82 - 07.86	92	A5L 718/A5L 717	
2.0		10.81 - 07.86	77	J6R 716	
2.0 Allrad 4x4		05.83 - 12.86	76	J6R 714/J6R 716	
21 (B48_)		1.7	09.89 - 10.92	54	F3N 726
		21 Combi (K48_)	1.7	05.88 - 06.93	54
1.7			06.86 - 03.93	55	F2N 712
1.7			10.86 - 12.88	65	F2N 710
1.7			10.89 - 12.93	66	F3N 723/F3N 722
21 Sedan (L48_)	1.7		07.86 - 02.94	54	F3N 726 /F2N 750

CL146

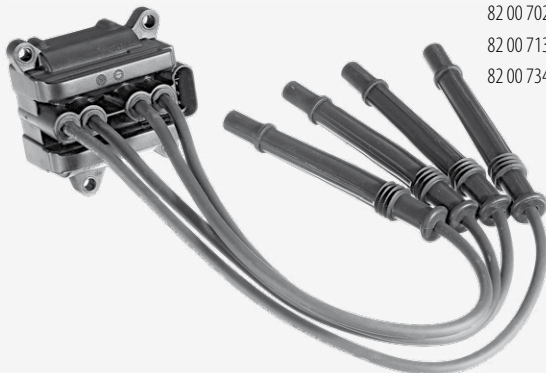


CL146

RENAULT

21 Sedan (L48_)	1.7	03.86 - 12.87	55	F2N 712
	1.7	03.86 - 03.93	65	F2N 710
25 (B29_)	2.0	04.84 - 12.92	74	J6R 763/ -707/ -760/ -706
	2.0 12V	06.89 - 12.92	99	J7R 726
Espace I (J11_)	2.0	09.84 - 12.87	80	J6R 234/J6R 236
	2.0 i	01.89 - 12.90	87	J7R 760
	2.0 i Quadra	03.88 - 12.92	87	J7R 760
Fuego (136_)	2.0 TX/GTX	10.80 - 10.85	81	J6R 713/ -726/ -715/ -710
Master 28-35 I Bus (T_)	2.0	10.86 - 07.98	58	J5R 718
Master 28-35 I Van (T_)	2.0	10.86 - 07.98	58	J5R 718
Master I Flatbed (P_)	2.0	10.86 - 07.98	58	J5R 728
	2.0	11.89 - 07.93	60	J5R 718
Super 5 (B/C40_)	1.4	10.84 - 06.88	43	C1J 780/C1J 768
Trafic Bus (T5, T6, T7)	2.0	06.86 - 04.89	59	J5R 722/ -716/ -726
	2.0 4x4	06.86 - 04.89	59	J5R 722/ -716/ -726
Trafic Flatbed (P6)	2.0	03.80 - 12.86	63	829 721/829 720
	2.0 4x4	05.85 - 02.89	60	J5R 716
Trafic Van (T1, T3, T4)	2.0	06.86 - 04.89	59	J5R 722/ -716/ -726
	2.0 4x4	06.86 - 04.89	59	J5R 722/ -716/ -726

CL149

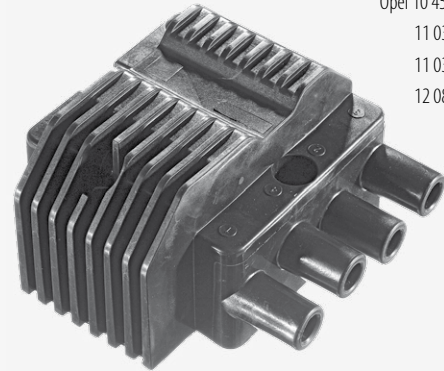


lengths of cables: 50-45-45-45 cm

RENAULT

				OEM-No.	
Clio Grandtour (KR0/1_)	1.2 16V Hi-Flex	07.08 -	55	D4F 740	
	1.2 16V	06.07 -	55	D4F 714 /-716 /- 712	
	Clio III (BR0/1, CR0/1)	1.2 16V	06.07 -	48	D4F 740
		1.2 16V	06.07 -	55	D4F 740
		1.2 16V	06.07 -	58	D4F 764
Kangoo (KCO/1_)	1.2 16V Hi-Flex	07.08 -	55	D4F 740	
	1.2 16V	06.07 -	55	D4F 714 /-716 /- 712	
Kangoo Express	1.2 16V	06.07 -	55	D4F 714/D4F 712	
Modus (F/JPO_)	1.2	01.08 -	55	D4F 740	
	1.2 16V Hi-Flex	10.08 -	55	D4F 740	
Twingo (CO6_)	1.2 16V	08.04 -	44	D4F 708	
Twingo (CNO_)	1.2 16V	03.07 -	56	D4F 772	

CL200



OEM-No.

Opel 10 457 075

11 03 872

11 03 905

12 08 063

OPEL

Astra F (56_, 57_)	1.4	09.91 - 09.93	55	14 NV
	1.4 Si	03.92 - 09.98	60	C 14 SE
	1.6 i	05.93 - 07.96	52	X 16 SZ
	1.6 i	03.92 - 08.94	55	C 16 NZ
	1.6 i	08.96 - 09.98	55	X 16 SZR
	1.6 i 16V	08.94 - 09.98	74	X 16 XEL
	1.6 Si	05.92 - 12.94	74	C 16 SE
Astra F Cabrio (53_B)	1.4 Si	05.93 - 03.01	60	C 14 SE
	1.6 i	03.93 - 08.96	52	X 16 SZ
	1.6 i	01.96 - 03.01	55	X 16 SZR
Astra F Caravan (51_, 52_)	1.4	09.91 - 09.93	55	14 NV
	1.4 Si	03.92 - 01.98	60	C 14 SE
	1.6 i	05.93 - 07.96	52	X 16 SZ
	1.6 i	09.91 - 01.98	55	C 16 NZ/X 16 SZR
	1.6 i 16V	08.94 - 01.98	74	X 16 XEL
	1.6 Si	03.92 - 12.94	74	C 16 SE
	Astra F CC	1.4	09.91 - 09.93	55
1.6 i		05.93 - 07.96	52	X 16 SZ
1.6 i		09.91 - 01.98	55	C 16 NZ/X 16 SZR
1.6 i 16V		08.94 - 01.98	74	X 16 XEL
1.6 Si		03.92 - 12.94	74	C 16 SE
Astra F Classic Caravan	1.6 i	01.98 - 01.05	55	X 16 SZR
	1.6 i 16V	01.98 - 01.05	74	X 16 XEL
Astra F Classic CC	1.6 i	01.98 - 08.02	55	X 16 SZR
	1.6 i 16V	01.98 - 08.02	74	X 16 XEL
Astra F Classic Sedan	1.6 i	01.98 - 08.02	55	X 16 SZR
	1.6 i 16V	01.98 - 08.02	74	X 16 XEL
Astra F Van (55_)	1.6 i	02.93 - 07.96	52	X 16 SZ
	1.6 i	10.91 - 04.93	55	C 16 NZ
Astra G Caravan (F35_)	1.6	02.98 - 09.00	55	X 16 SZR
Astra G CC (F48_, F08_)	1.6	02.98 - 09.00	55	X 16 SZR
Astra G Sedan (F69_)	1.6	09.98 - 09.00	55	X 16 SZR
Astra G Van (F70)	1.6	01.99 - 09.00	55	X 16 SZR
Corsa A CC	1.4 Si	09.91 - 03.93	60	C 14 SE
	1.6 GSI	05.88 - 03.92	74	E 16 SE
	1.6 GSI cat	02.92 - 03.93	74	C 16 SE
Corsa B (73_, 78_, 79_)	1.2 i	03.93 - 09.00	33	C 12 NZ/X 12 SZ
	1.4 i 16V	08.97 - 09.00	63	C 14 SEL
	1.4 i 16V	09.94 - 09.00	66	X 14 XE
	1.4 Si	03.93 - 09.00	60	C 14 SE
	1.6 GSI 16V	03.93 - 09.00	80	C 16 XE
	1.6 i 16V	08.97 - 09.00	74	C 16 SEL
	1.6 i 16V	09.94 - 09.00	78	X 16 XE
Corsa B Van (73_)	1.4 i	08.99 - 09.00	44	X 14 SZ
Tigra (95_)	1.4 16V	08.97 - 12.00	63	X 14 XE
	1.4 16V	07.94 - 12.00	66	X 14 XE

CL200



CL200

OPEL

Tigra (95_)	1.6 16V	08.97 - 08.98	74	C 16 SEL
	1.6 16V	07.94 - 08.98	78	X 16 XE
Vectra A (86_, 87_)	1.6 i	09.93 - 11.95	52	X 16 SZ
Vectra A CC (88_, 89_)	1.6 i	09.93 - 11.95	52	X 16 SZ
Vectra B (36_)	1.6 i	10.95 - 04.02	55	X 16 SZR
	1.6 i 16V	10.95 - 04.02	74	Z16 XE/X16 XEL/Y16 XE
Vectra B Caravan (31_)	1.6 i	11.96 - 06.00	55	X 16 SZR
	1.6 i 16V	11.96 - 07.02	74	Z16 XE/X16 XEL/Y16 XE
Vectra B CC (38_)	1.6 i	10.95 - 07.03	55	X 16 SZR
	1.6 i 16V	10.95 - 07.02	74	Z16 XE/X16 XEL/Y16 XE

CL201

OEM-No.

Daewoo 96350585
GM 01104038
GM 10450424
GM 10490192
Opel 12 08 051



number of connectors: 4

DAEWOO

Lanos (KLAT)	1.4	05.97 -	55	A14SMS
	1.5	05.97 -	63	A15SMS
	1.6 16V	05.97 -	78	A16DMS
Lanos Sedan (KLAT)	1.4	05.97 -	55	A14SMS
	1.5	05.97 -	63	A15SMS/Y15L
	1.6 16V	05.97 -	78	A16DMS
Leganza (KLAV)	2.0 16V	06.97 - 12.02	98	X 20 SED
Nubira (KLAJ)	1.6 16V	05.97 -	78	A16DMS
	2.0 16V	05.97 -	98	X 20 SED/Z20L
Nubira Sedan (KLAJ)	1.6 16V	05.97 -	78	A16DMS
	2.0 16V	05.97 -	98	X 20 SED
Nubira Wagon (KLAJ)	1.6 16V	05.97 -	78	A16DMS
	2.0 16V	05.97 -	98	X 20 SED

OPEL

Frontera B (6B_)	2.2 i	10.98 -	100	X 22 SE/Y 22 SE
------------------	-------	---------	-----	-----------------

CL202

OEM-No.

Opel 12 08 307
19 005 212



OPEL

Astra G Caravan (F35_)	1.4 16V	06.98 - 07.04	66	X 14 XE/Z 14 XE
	1.6 16V	02.98 - 07.04	74	Z 16 XE/X 16 XEL
Astra G CC (F48_, F08_)	1.4 16V	02.98 - 01.05	66	X 14 XE/Z 14 XE
	1.6 16V	02.98 - 01.05	74	Z 16 XE/X 16 XEL
Astra G Sedan (F69_)	1.4 16V	09.98 - 01.05	66	X 14 XE/Z 14 XE
	1.6 16V	09.98 - 01.05	74	Z 16 XE/X 16 XEL
Corsa C (F08, F68)	1.4	09.00 -	66	Z 14 XE
Meriva	1.6 16V	05.03 -	74	Z 16 XE
Vectra B (36_)	1.6 i 16V	10.95 - 04.02	74	Z16 XE/X16 XEL/Y16 XE
Vectra B Caravan (31_)	1.6 i 16V	11.96 - 07.02	74	Z16 XE/X16 XEL/Y16 XE
Vectra B CC (38_)	1.6 i 16V	10.95 - 07.02	74	Z16 XE/X16 XEL/Y16 XE
Vectra C	1.6 16V	06.04 -	74	Z 16 XE
Zafira (F75_)	1.6 16V	04.99 - 06.05	74	Z 16 XE/X 16 XEL
	1.6 CNG	09.01 - 06.05	71	Z 16 YNG

CL203

OEM-No.

GM 90 536 194
Opel 09 119 567
Opel 12 08 008
Opel 90 536 194
Saab 9118567



OPEL

Astra G Cabrio	1.8 16V	03.01 - 10.05	92	Z 18 XE
Astra G Caravan (F35_)	1.8 16V	02.98 - 09.00	85	X 18 XE1
	1.8 16V	09.00 - 07.04	92	Z 18 XE
Astra G CC (F48_, F08_)	1.8 16V	02.98 - 09.00	85	X 18 XE1
	1.8 16V	09.00 - 01.05	92	Z 18 XE
Astra G Coupe (F07_)	1.8 16V	03.00 - 10.00	85	X 18 XE1
	1.8 16V	09.00 - 05.05	92	Z 18 XE
Astra G Sedan (F69_)	1.8 16V	09.98 - 09.00	85	X 18 XE1
	1.8 16V	09.00 - 01.05	92	Z 18 XE
Astra H	1.8	03.04 -	92	Z 18 XE
Astra H Caravan	1.8	08.04 -	92	Z 18 XE
Corsa C (F08, F68)	1.8	09.00 -	92	Z 18 XE
Meriva	1.8	05.03 -	92	Z 18 XE
Signum	1.8	05.03 -	90	Z 18 XE
Tigra TwinTop	1.8	06.04 -	92	Z 18 XE

CL203



CL203

OPEL

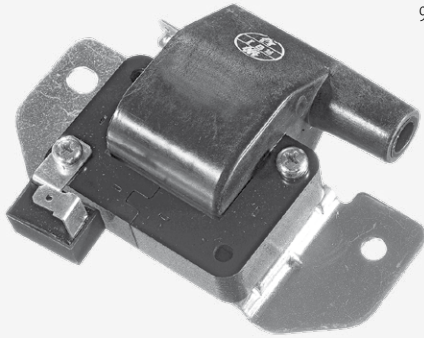
Vectra B (36_)	1.8 i 16V	10.95 - 09.00	85	X 18 XE1
	1.8 i 16V	09.00 - 04.02	92	Z 18 XE
Vectra B Caravan (31_)	1.8 i 16V	11.96 - 09.00	85	X 18 XE1
	1.8 i 16V	09.00 - 07.03	92	Z 18 XE
Vectra B CC (38_)	1.8 i 16V	10.95 - 09.00	85	X 18 XE1
	1.8 i 16V	09.00 - 07.03	92	Z 18 XE
Vectra C	1.8	04.02 -	81	Z 18 XEL
	1.8 16V	04.02 -	90	Z 18 XE
Vectra C Caravan	1.8	10.03 -	90	Z 18 XE
Vectra C GTS	1.8 16V	08.02 -	90	Z 18 XE
Zafira (F75_)	1.8 16V	04.99 - 09.00	85	X 18 XE1
	1.8 16V	09.00 - 06.05	92	Z 18 XE

SAAB

9-3 (YS3F)	1.8 i	01.04 -	90	Z18XE
9-3 Combi	1.8 i	03.05 -	90	Z18XE

CL204

OEM-No.
Daewoo 96320818
96336522

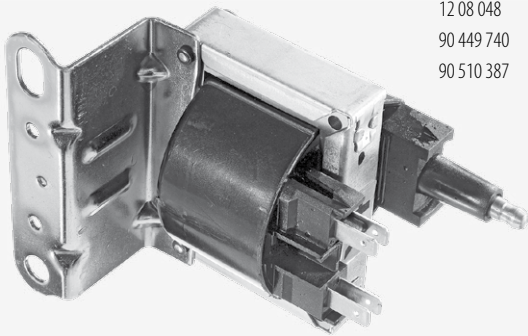


DAEWOO

Matiz (KLYA)	0.8	09.98 -	38	F8CV
--------------	-----	---------	----	------

CL205

OEM-No.
Opel 12 08 002
12 08 004
12 08 048
90 449 740
90 510 387



OPEL

Ascona C	1.3 N	09.81 - 08.86	44	13 N
	1.3 S	09.81 - 08.88	55	13 S
	1.6	09.81 - 09.87	55	16 N
	1.6 i	09.87 - 08.88	55	E 16 NZ
	1.6 i cat	09.86 - 08.88	55	C 16 NZ/C 16 LZ
Ascona C CC (84_, 89_)	1.3 N	09.81 - 08.86	44	13 N
	1.3 S	09.81 - 08.88	55	13 S
	1.6	09.81 - 08.88	55	16 N
	1.6 i	09.87 - 08.88	55	E 16 NZ

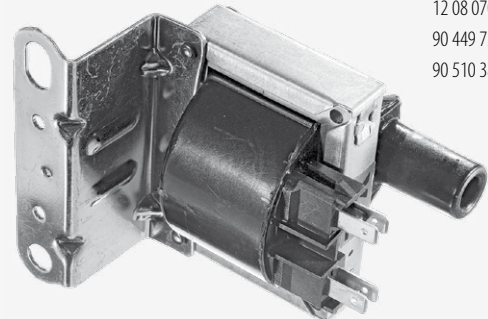
CL205

OPEL

Ascona C CC (84_, 89_)	1.6 i cat	09.86 - 08.88	55	C 16 NZ/C 16 LZ
Astra F (56_, 57_)	1.6 i	03.92 - 08.94	55	C 16 NZ
Astra F Caravan (51_, 52_)	1.6 i	09.91 - 01.98	55	C 16 NZ/X 16 SZR
Astra F CC	1.6 i	09.91 - 01.98	55	C 16 NZ/X 16 SZR
Astra F Van (55_)	1.6 i	10.91 - 04.93	55	C 16 NZ
	1.2 N	01.90 - 03.93	38	12 NV
	1.2 S	09.82 - 02.90	40	12 ST
Corsa A TR	1.3 S	09.82 - 10.89	51	13 SB
	1.2 S	09.82 - 03.93	40	12 ST
	1.2 S	09.82 - 10.87	43	12 S
Corsa A Van	1.3 S	09.82 - 10.87	51	13 SB
	1.2	02.86 - 04.89	40	12 ST
	1.3	02.86 - 04.89	51	13 SB
Kadett D	1.3 N	08.79 - 08.84	44	13 N
	1.3 S	08.79 - 08.84	55	13 S
Kadett D Caravan	1.3 N	08.79 - 08.84	44	13 N
	1.3 S	08.79 - 08.84	55	13 S
	1.3 i cat	09.85 - 08.91	44	C 13 N
Kadett E (39_, 49_)	1.3 S	09.84 - 08.87	55	13 S
	1.6 i	09.86 - 08.91	55	E 16 NZ
	1.6 i cat	09.86 - 08.91	55	C 16 NZ/C 16 LZ
Kadett E Cabrio (43B_)	1.3 S	03.87 - 02.93	55	13 S
Kadett E CC	1.3 N	09.84 - 08.91	44	13 NB/13 N
	1.3 S	09.84 - 08.87	55	13 S
	1.6 i	09.86 - 08.91	55	E 16 NZ
Kadett E Combo	1.6 i cat	09.86 - 08.91	55	C 16 NZ/C 16 LZ
	1.3 N	01.86 - 12.89	44	13 N
	1.3 S	01.86 - 12.89	55	13 S
Manta B (58_, 59_)	1.3 S	08.81 - 08.86	55	13 S
Manta B CC (53_, 55_)	1.3 S	08.79 - 08.86	55	13 S
Monza A (22_)	2.2 E	11.84 - 08.86	85	22 E
Vectra A (86_, 87_)	1.6	09.88 - 12.90	60	16 SV
	1.6 i	09.88 - 10.90	55	E 16 NZ
	1.6 i cat	09.88 - 11.95	55	C 16 NZ2/C 16 NZ
Vectra A CC (88_, 89_)	1.6 i cat	09.88 - 11.95	55	C 16 NZ2/C 16 NZ
	1.6 S	09.88 - 12.90	60	16 SV

CL206

OEM-No.
Opel 12 08 003
12 08 054
12 08 070
90 449 739
90 510 386



OPEL

Astra F (56_, 57_)	1.4	09.92 - 09.98	60	14 SE
	1.4 i	09.91 - 09.98	44	C 14 NZ
	1.4 Si	03.92 - 09.98	60	C 14 SE
	1.8 i	03.92 - 09.98	66	C 18 NZ
Astra F Cabrio (53_B)	1.4 Si	05.93 - 03.01	60	C 14 SE
Astra F Caravan (51_, 52_)	1.4	09.92 - 01.98	60	14 SE

CL206



CL206
OPEL

Astra F Caravan (51_, 52_)	1.4 i	09.91 - 01.98	44	C 14 NZ
	1.4 Si	03.92 - 01.98	60	C 14 SE
	1.8 i	09.91 - 01.98	66	C 18 NZ
Astra F CC	1.4	09.92 - 01.98	60	14 SE
	1.4 i	03.92 - 01.98	44	C 14 NZ
	1.4 Si	03.92 - 01.98	60	C 14 SE
	1.8 i	09.91 - 01.98	66	C 18 NZ
Astra F Van (55_)	1.4 i	10.91 - 01.99	44	C 14 NZ
Astra G Caravan (F35_)	1.6	02.98 - 09.00	55	X 16 SZR
Astra G CC (F48_, F08_)	1.6	02.98 - 09.00	55	X 16 SZR
Astra G Sedan (F69_)	1.6	09.98 - 09.00	55	X 16 SZR
Astra G Van (F70)	1.6	01.99 - 09.00	55	X 16 SZR
Combo (71_)	1.2	07.94 - 10.01	33	C 12 NZ/X 12 SZ
	1.4	07.94 - 10.01	44	C 14 NZ/X 14 SZ
Corsa A CC	1.2	09.82 - 08.90	33	E 12 GV/12 NC
	1.2 i	09.89 - 03.93	33	C 12 NZ
	1.4 i	01.90 - 03.93	44	C 14 NZ
	1.4 S	01.90 - 03.93	53	14 NV
	1.4 Si	09.91 - 03.93	60	C 14 SE
	1.6 GSI	09.89 - 03.93	72	C 16 SEI
	1.6 GSI	05.88 - 03.92	74	E 16 SE
Corsa A TR	1.2 i	09.89 - 03.93	33	C 12 NZ
	1.2 S	09.82 - 03.93	40	12 ST
	1.4 i	10.89 - 03.93	44	C 14 NZ
Corsa A Van	1.2	02.86 - 04.89	40	12 ST
	1.2 i	03.93 - 09.00	33	12 NZ
Corsa B (73_, 78_, 79_)	1.4 i	03.93 - 09.00	44	C 14 NZ/X 14 SZ
	1.4 i	01.90 - 08.91	44	C 14 NZ
	1.4 S	01.90 - 08.91	55	14 NV
Kadett E (39_, 49_)	1.6 S	09.84 - 08.86	66	16 SH
	1.8 i	09.90 - 08.91	66	C 18 NZ/C 18 NT
	1.4 i	01.90 - 08.91	44	C 14 NZ
Kadett E Cabrio (43B_)	1.4 i	01.90 - 08.91	44	C 14 NZ
Kadett E Cabrio (43B_)	1.6 i	07.89 - 02.93	60	16 SV
Kadett E Caravan	1.4 i	01.90 - 08.91	44	C 14 NZ
	1.4 S	01.90 - 08.91	55	14 NV
	1.6	09.86 - 08.91	60	16 SV
	1.6 i cat	09.86 - 08.91	55	C 16 NZ/C 16 LZ
	1.8 i	06.85 - 08.91	66	C 18 NZ/C 18 NT
Kadett E CC	1.4 i	01.90 - 08.91	44	C 14 NZ
	1.4 S	01.90 - 08.91	55	14 NV
	1.6 S	09.86 - 08.91	60	16 SV
	1.8 i	06.85 - 08.91	66	C 18 NZ/S 18 NV/C 18 NT
Kadett E Combo	1.4 i	08.91 - 07.94	44	C 14 NZ
	1.4 S	07.89 - 08.91	55	14 NV
	1.6	09.86 - 12.91	60	16 SV
Kadett E Van	1.4 i	01.90 - 08.91	44	C 14 NZ
Omega A (16_, 17_, 19_)	1.8 S	09.86 - 03.94	66	18 SV
Omega A Caravan	1.8 S	09.86 - 03.94	66	18 SV
Vectra A (86_, 87_)	1.6	01.90 - 05.93	60	16 SV
	1.6 i	09.93 - 11.95	55	16 LZ2
	1.8 i cat	03.90 - 11.95	66	C 18 NZ
	1.8 S	09.89 - 10.90	66	18 SV
	1.8 S 4x4	01.89 - 07.89	65	E 18 NVR
Vectra A CC (88_, 89_)	1.6 i	09.93 - 11.95	55	16 LZ2
	1.6 S	01.90 - 05.93	60	16 SV
	1.8 i	09.88 - 10.90	66	18 SV
	1.8 i cat	03.90 - 11.95	66	C 18 NZ
1.8 S	09.88 - 07.89	65	E 18 NVR	

CL207

OEM-No.

 Opel 12 08 071
90458250

OPEL

Astra F (56_, 57_)	1.8 i 16V	11.94 - 09.98	85	C 18 XEL/X 18 XE
	1.8 i 16V	06.93 - 10.94	92	C 18 XE
	2.0 i 16V	02.95 - 09.98	100	X 20 XEV
Astra F Cabrio (53_B)	1.8 i 16V	11.94 - 03.01	85	C 18 XEL/X 18 XE
Astra F Caravan (51_, 52_)	1.8 i 16V	07.94 - 01.98	85	C 18 XEL/X 18 XE
	1.8 i 16V	06.93 - 01.98	92	C 18 XE
	2.0 i 16V	02.95 - 01.98	100	X 20 XEV
Astra F CC	1.8 i 16V	09.94 - 01.98	85	C 18 XEL/X 18 XE
	1.8 i 16V	06.93 - 08.94	92	C 18 XE
	2.0 i 16V	02.95 - 01.98	100	X 20 XEV
Astra G Caravan (F35_)	2.0 16V	02.98 - 07.04	100	X 20 XEV
Astra G CC (F48_, F08_)	2.0 16V	02.98 - 01.05	100	X 20 XEV
	2.0 16V OPC	11.99 - 09.02	118	X 20 XER
Calibra A (85_)	2.0 i 16V	02.94 - 07.97	100	X 20 XEV
	2.0 i 16V 4x4	02.94 - 07.97	100	X 20 XEV
Omega B	2.0 16V	03.94 - 09.99	100	X 20 XEV
Omega B Caravan	2.0 16V	03.94 - 09.99	100	X 20 XEV
Vectra A (86_, 87_)	2.0 i 16V	06.94 - 11.95	100	X 20 XEV
	2.0 i 16V 4x4	06.94 - 11.95	100	X 20 XEV
Vectra A CC (88_, 89_)	2.0 i 16V	06.94 - 11.95	100	X 20 XEV
Vectra B (36_)	1.8 i 16V	10.95 - 09.00	85	X 18 XE
	2.0 i 16V	10.95 - 09.00	100	X 20 XEV/C 20 SEL
Vectra B Caravan (31_)	1.8 i 16V	11.96 - 09.00	85	X 18 XE
	2.0 i 16V	11.96 - 09.00	100	X 20 XEV/C 20 SEL
Vectra B CC (38_)	1.8 i 16V	10.95 - 09.00	85	X 18 XE
	2.0 i 16V	10.95 - 09.00	100	X 20 XEV/C 20 SEL

CL208

OEM-No.

 Opel 12 08 053
90 350 021
90 350 987
90 369 434
Saab 42 26 031
51 71 111

OPEL

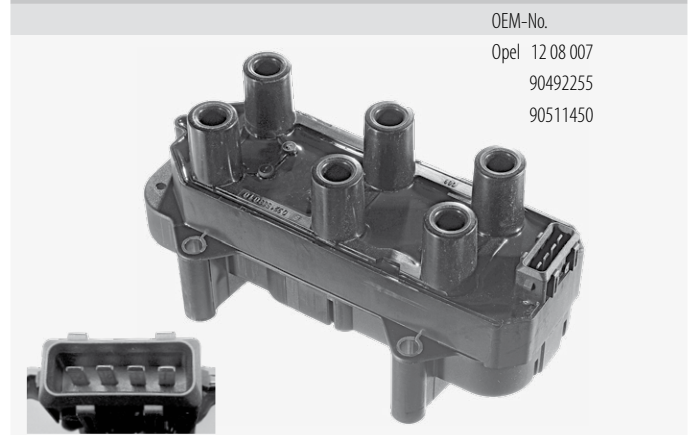
Calibra A (85_)	2.0 i	06.90 - 07.97	85	C 20 NE
	2.0 i 4x4	06.90 - 07.97	85	C 20 NE

CL208


CL208				
OPEL				
Frontera A (5_MWL4)	2.4 i	03.92 - 10.98	92	C 24 NE
Frontera A Sport	2.0 i	03.92 - 10.98	85	C 20 NE/X 20 SE
Kadett E (39_, 49_)	1.8	09.87 - 08.90	84	18 E
	1.8 S	09.87 - 08.91	62	E 18 NV
	2.0 i	03.87 - 08.91	85	20 NE
	2.0 i cat	03.87 - 08.91	85	C 20 NE
Kadett E Cabrio (43B_)	2.0 i	10.86 - 02.93	85	20 NE
	2.0 i cat	10.86 - 02.93	85	C 20 NE
Kadett E Caravan	1.8 S	09.87 - 08.91	62	E 18 NV
	2.0 i	09.87 - 08.91	85	20 NE
Kadett E CC	1.8 S	09.87 - 08.91	62	E 18 NV/S 18 NV
	2.0 GSI	09.86 - 08.91	85	20 NE
	2.0 GSI	09.86 - 08.91	95	20 SEH
	2.0 GSI cat	09.86 - 08.91	85	C 20 NE
Omega A (16_, 17_, 19_)	1.8	09.87 - 03.94	65	E 18 NVR
	1.8 N	09.86 - 08.87	60	18 NV
	2.0	09.90 - 03.94	73	C 20 NEJ
	2.0	09.90 - 03.94	74	C 20 NEF
	2.0	09.86 - 03.94	90	20 SE
	2.0 i	09.86 - 03.94	85	C 20 NE
	2.4 i	09.88 - 03.94	92	C 24 NE
	3.0	03.87 - 12.87	115	C 30 LE
	3.0	03.87 - 09.90	130	30 NE
	3.0 cat	03.88 - 03.94	130	C 30 NE
	3.0 24V	09.89 - 03.94	147	C 30 SEJ
	3.0 24V	09.89 - 03.94	150	C 30 SE
	3.0 24V	03.91 - 07.92	169	C 30 XEI
	Omega A Caravan	1.8	09.87 - 03.94	65
1.8 N		09.86 - 08.87	60	18 NV
2.0		09.90 - 03.94	74	C 20 NEF
2.0		09.86 - 03.94	90	20 SE
2.0 i		09.90 - 03.94	73	C 20 NEJ
2.0 i		09.86 - 03.94	85	C 20 NE
2.4 i		09.88 - 03.94	92	C 24 NE
3.0		03.87 - 03.94	115	C 30 LE
3.0 cat		03.87 - 03.94	130	C 30 NE
3.0 24V		09.89 - 03.94	147	C 30 SEJ
Senator B (29_)		2.5 i	09.90 - 09.93	103
	2.6 i	09.90 - 09.93	110	C 26 NE
	3.0	09.87 - 09.93	115	C 30 LE
	3.0 24V	09.89 - 09.93	150	C 30 SE
Vectra A (86_, 87_)	2.0	09.88 - 09.89	74	C 20 NEF
	2.0 16V 4x4	01.89 - 10.90	110	20 XEJ
	2.0 GT 16V	01.89 - 06.94	110	20 XEJ
	2.0 i	09.88 - 10.90	85	20 NE
	2.0 i	09.88 - 09.92	95	20 SEH
	2.0 i cat	09.88 - 11.95	85	C 20 NE
	2.0 i 4x4	01.89 - 10.90	85	20 NE
	2.0 i 4x4	01.89 - 09.92	95	20 SEH
	2.0 i 4x4 cat	01.89 - 11.95	85	C 20 NE
	2.0 i Turbo 4x4	06.94 - 11.95	150	C 20 LET
Vectra A CC (88_, 89_)	2.0	04.88 - 09.89	74	C 20 NEF
	2.0 i	09.88 - 10.90	85	20 NE
	2.0 i cat	09.88 - 11.95	85	C 20 NE
	2.0 i GT	09.88 - 11.95	95	20 SEH
2.0 i 16V	02.89 - 10.90	110	20 XEJ	
SAAB				
900 II	2.0 16V Turbo	07.93 - 02.98	136	B204L
	2.0 i	08.94 - 02.98	96	B204I
	2.3 16V	07.93 - 02.98	110	B234I

CL208					
SAAB					
900 II Cabrio	2.0 16V Turbo	12.93 - 02.98	136	B204L	
	2.0 i	12.93 - 02.98	96	B204I	
	2.3 16V	12.93 - 02.98	110	B234I	
900 II Coupe	2.0 16V Turbo	12.93 - 02.98	136	B204L	
	2.0 i	08.94 - 02.98	96	B204I	
	2.0 i	12.93 - 07.94	98	B206I	
	2.3 16V	12.93 - 02.98	110	B234I	
	9-3 (YS3D)	2.0 i	02.98 - 09.02	96	B204I
	2.0 SE Turbo	02.98 - 09.02	147	B204R	
	2.0 Turbo	10.98 - 09.02	113	B204E	
	2.0 Turbo	02.98 - 09.02	136	B205L/B204L	
	2.0 Turbo	10.99 - 09.02	151	B205R	
	2.3 i	02.98 - 09.02	110	B234I	
	2.3 Turbo	10.98 - 09.02	165	B235R	
9-3 Cabrio (YS3D)	2.0 i	02.98 - 08.03	96	B204I	
	2.0 SE Turbo	02.98 - 08.03	147	B204R	
	2.0 Turbo	10.98 - 08.03	113	B204E	
	2.0 Turbo	02.98 - 08.03	136	B205L/B204L	
	2.0 Turbo	10.99 - 08.03	151	B205R	
	2.3 i	02.98 - 08.03	110	B234I	

CL209



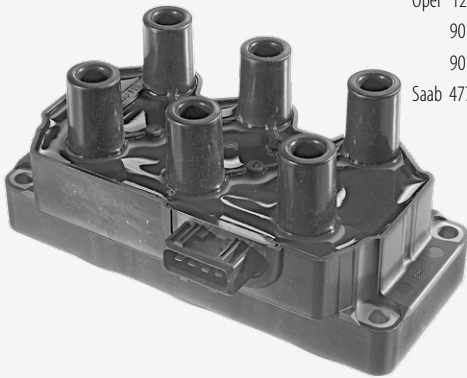
OEM-No.
Opel 12 08 007
90492255
90511450

rectangular socket

OPEL

Omega B (25_, 26_, 27_)	2.5V6	03.94 - 09.00	125	X 25 XE
	3.0V6	04.94 - 02.01	155	X 30 XE
Omega B Caravan	2.5V6	03.94 - 09.00	125	X 25 XE
	3.0V6	04.94 - 02.01	155	X 30 XE
Vectra B (36_)	2.5 iV6	10.95 - 09.00	125	X 25 XE
Vectra B Caravan (31_)	2.5 iV6	11.96 - 09.00	125	X 25 XE
Vectra B CC (38_)	2.5 iV6	10.95 - 09.00	125	X 25 XE
Vectra B i500 (36_)	2.5 i	05.98 - 09.00	143	X 25 XE
Vectra B i500 Caravan	2.5 i	05.98 - 09.00	143	X 25 XE

CL210



OEM-No.
Opel 12 08 068
90 358 386
90 444 184
Saab 4770046

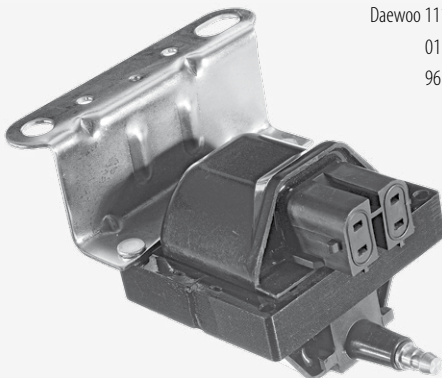
OPEL

Calibra A (85_)	2.5 iV6	04.93 - 07.97	125	X 25 XE/C 25 XE
Omega B (25_, 26_, 27_)	2.5 V6	03.94 - 09.00	125	X 25 XE
	3.0 V6	04.94 - 02.01	155	X 30 XE
Omega B Caravan	2.5 V6	03.94 - 09.00	125	X 25 XE
	3.0 V6	04.94 - 02.01	155	X 30 XE
Vectra A (86_, 87_)	2.5 V6	02.93 - 11.95	125	C 25 XE
Vectra A CC (88_, 89_)	2.5 V6	02.93 - 11.95	125	C 25 XE

SAAB

900 II	2.5 24V V6	07.93 - 02.98	125	B258I
900 II Cabrio	2.5 24V V6	12.93 - 02.98	125	B258I
900 II Coupe	2.5 24V V6	12.93 - 02.98	125	B258I

CL211

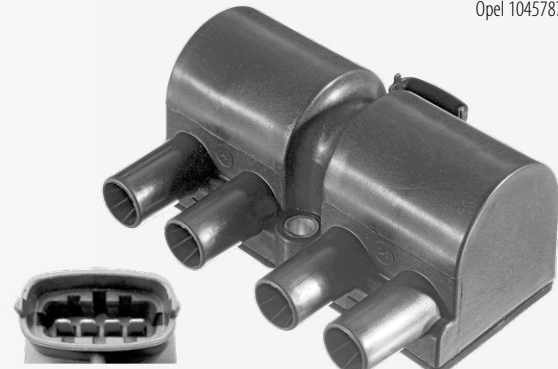


OEM-No.
Daewoo 1115467
01115467
96165049

DAEWOO

Cielo (KLETN)	1.5	08.96 - 08.97	44	G15MF
	1.5	02.95 - 08.97	52	G15MF
	1.5	02.95 - 08.97	55	G15MF
	1.5 16V	02.95 - 08.97	66	A15MF
Cielo sedan (KLETN)	1.5	08.96 - 08.97	44	G15MF
	1.5	02.95 - 08.97	52	G15MF
	1.5	02.95 - 08.97	55	G15MF
	1.5 16V	02.95 - 08.97	66	A15MF
Espero (KLEJ)	1.5	10.97 - 09.99	55	
Espero (KLEJ)	1.5 16V	02.95 - 06.99	66	A15MF
Espero (KLEJ)	1.8	02.95 - 09.99	66	C18LE
Espero (KLEJ)	2.0	02.95 - 06.99	77	C20LE

CL212



OEM-No.
Opel 10457870

number of connectors: 4

OPEL

Astra G Caravan (F35_)	1.6	09.00 - 07.04	62	Z 16 SE
Astra G CC (F48_, F08_)	1.6	09.00 - 01.05	62	Z 16 SE
Astra G Sedan (F69_)	1.6	09.00 - 01.05	62	Z 16 SE
Astra G Van (F70)	1.6	09.00 - 04.05	62	Z 16 SE
Combo Tour	1.6	10.01 -	64	Z 16 SE
Combo Van/Combi	1.6	10.01 -	64	Z 16 SE
Meriva	1.6	05.03 -	64	Z 16 SE

CL213



OEM-No.
Opel 12 08 306
90 532 618
90 543 059

OPEL

Agila (H00)	1.0 12V	09.00 -	43	Z 10 XE
Corso B (73_, 78_, 79_)	1.0i 12V	11.96 - 09.00	40	X 10 XE
Corso C (F08, F68)	1.0	09.00 -	43	Z 10 XE

CL214



OEM-No.
Opel 12 08 012
90 543 253
90 560 110

OPEL

Agila (H00)	1.2 16V	09.00 -	55	Z 12 XE
Astra G Caravan (F35_)	1.2 16V	02.98 - 09.00	48	X 12 XE

CL214

CL214

OPEL

Astra G Caravan (F35_)	1.2 16V	09.00 - 07.04	55	Z 12 XE
Astra G CC (F48_, F08_)	1.2 16V	02.98 - 09.00	48	X 12 XE
	1.2 16V	09.00 - 01.05	55	Z 12 XE
Astra G Sedan (F69_)	1.2 16V	09.98 - 09.00	48	X 12 XE
	1.2 16V	09.00 - 01.05	55	Z 12 XE
Corsa B (73_, 78_, 79_)	1.2 i 16V	03.98 - 09.00	48	X 12 XE
Corsa C (F08, F68)	1.2	09.00 -	55	Z 12 XE
Corsa C Van (F08, W5L)	1.2 16V	09.00 -	55	Z 12 XE

CL215

OEM-No.

Opel 12 08 020
24 420 584
93 177 212



OPEL

Agila (H00)	1.2 16V Twinport	07.04 -	59	Z 12 XEP
Astra H	1.4	03.04 -	66	Z 14 XEP
Astra H Caravan	1.4	08.04 -	66	Z 14 XEP
Astra H GTC	1.4	03.05 -	66	Z 14 XEP
Combo Tour	1.4	10.04 -	66	Z 14 XEP
Combo Van/Combi	1.4 16V	08.05 -	66	Z 14 XEP
Corsa C (F08, F68)	1.2	09.00 -	55	Z 12 XE
	1.2 Twinport	07.04 -	59	Z 12 XEP
	1.4 Twinport	06.03 -	66	Z 14 XEP
Corsa C Van (F08, W5L)	1.2 16V	09.00 -	55	Z 12 XE
Tigra TwinTop	1.4	06.04 -	66	Z 14 XEP

CL216

OEM-No.

Daewoo 96291054
Chevrolet 96291054



CHEVROLET

Matiz	0.8	03.05 -	38	F8CV
-------	-----	---------	----	------

CL217

OEM-No.

Opel 12 08 028
24 420 622
93 180 806



OPEL

Agila (H00)	1.0	08.03 -	44	Z 10 XEP
Corsa C (F08, F68)	1.0	06.03 -	44	Z 10 XEP
Corsa D	1.0	07.06 -	44	Z 10 XEP

CL218

OEM-No.

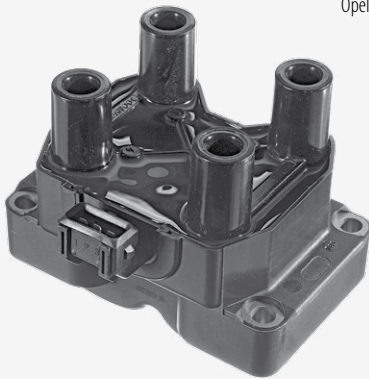
Opel 62 35 037
90 424 480
91 98 834



OPEL

Astra G Cabrio	2.0 16V Turbo	11.02 - 10.05	147	Z 20 LER
	2.0 OPC	03.02 - 10.05	141	Z 20 LET
Astra G Caravan (F35_)	2.0 OPC	09.02 - 07.04	141	Z 20 LET
	2.0 OPC	11.02 - 07.04	147	Z 20 LER
Astra G CC (F48_, F08_)	2.0 OPC	09.02 - 01.05	141	Z 20 LET
	2.0 OPC	11.02 - 01.05	147	Z 20 LET/Z 20 LER
Astra G Coupe (F07_)	2.0 16V Turbo	09.00 - 08.01	140	Z 20 LET
	2.0 16V Turbo	08.01 - 05.05	141	Z 20 LET
	2.0 16V Turbo	11.02 - 05.05	147	Z 20 LER
Astra H	2.0 Turbo	03.04 -	125	Z 20 LEL
	2.0 Turbo	09.04 -	147	Z 20 LER
Astra H Caravan	2.0 Turbo	08.04 -	125	Z 20 LEL
	2.0 Turbo	09.04 -	147	Z 20 LER
Astra H GTC	2.0 Turbo	03.05 -	125	Z 20 LEL
	2.0 Turbo	03.05 -	147	Z 20 LER
Astra H TwinTop	2.0 Turbo	09.05 -	125	Z 20 LEL
	2.0 Turbo	09.05 -	147	Z 20 LER
Speedster	2.0 Turbo	04.03 -	147	Z 20 LET
Zafira (F75_)	2.0 OPC	09.01 - 06.05	141	Z 20 LET
	2.0 OPC	11.02 - 06.05	147	Z 20 LET/Z 20 LER
Zafira	2.0	07.05 -	147	Z 20 LER

CL219



OEM-No.
Opel 12 08 065
90 443 900
90 449 572

OPEL

Astra F Caravan	2.0 i 16V	03.93 - 01.98	110	C 20 XE
Astra F CC	2.0 GSI 16V	09.91 - 01.98	110	C 20 XE
Calibra A (85_)	2.0 i 16V	06.90 - 02.94	110	C 20 XE
	2.0 i 16V 4x4	06.90 - 02.94	110	C 20 XE
Frontera A (5_MWL4)	2.2 i	03.95 - 10.98	100	X 22 XE
Omega B	2.0	03.94 - 09.99	85	X 20 SE
Omega B Caravan	2.0	03.94 - 09.99	85	X 20 SE
Vectra A (86_, 87_)	2.0 GT 16V cat	02.90 - 11.95	110	C 20 XE
Vectra A (86_, 87_) cat	2.0 GT 16V 4x4	02.90 - 11.95	110	C 20 XE
Vectra A CC (88_, 89_)	2.0 i 16V cat	02.90 - 11.95	110	C 20 XE

CL220



OEM-No.
Daewoo 93363483
96253555
96566260
Chevrolet 96253555

number of connectors: 3

DAEWOO

Kalos (KLAS)	1.2	04.03 -	53	
	1.4	09.02 -	61	
	1.4 16V	04.03 -	69	F14D3
Lacetti (KLAN)	1.8	02.04 -	90	T18SED
Lanos (KLAT)	1.5	05.97 -	63	A15SMS
Matiz (KLYA)	1.0	01.03 -	47	
Tacuma (KLAU)	1.8	09.00 -	67	F18D2
	1.8	09.00 -	74	
	2.0	09.01 -	89	X 20 SED
	2.0	09.00 -	94	

CHEVROLET

Aveo Sedan	1.4	03.06 -	69	F14D3
	1.5	05.05 -	62	F15S3
	2.0	03.05 -	96	X 20 SED
Kalos	1.2	03.05 -	53	B12S1
	1.4	03.05 -	61	F14S3
	1.4 16V	03.05 -	69	F14D3
Kalos Sedan	1.2	03.05 -	53	F12S3
	1.4	03.05 -	61	F14S3

CL220

CHEVROLET

Kalos Sedan	1.4 16V	03.05 -	69	F14D3
Tacuma	1.6	03.05 -	77	A16DMS
	1.6	08.05 -	79	A16DMS

CL221



OEM-No.
Alfa Romeo 71739725
Fiat 71739725
GM 10458316
Opel 10458316
Opel 12 08 021

ALFA ROMEO

159	1.8 MPI	03.07 -	103	939 A4.000
159 Sportwagon	1.8 MPI	03.07 -	103	939 A4.000

FIAT

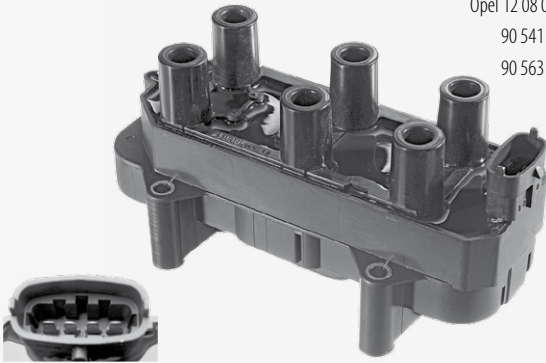
Croma (194)	1.8 16V	12.05 -	103	939 A4.000
-------------	---------	---------	-----	------------

OPEL

Astra G Cabrio	1.6	01.03 - 10.05	76	Z 16 XEP
Astra G Caravan (F35_)	1.6	12.02 - 07.04	76	Z 16 XEP
Astra G CC (F48_, F08_)	1.6	12.02 - 01.05	76	Z 16 XEP
Astra G Coupe (F07_)	1.6 16V	03.00 - 05.05	76	Z 16 XEP
Astra G Sedan (F69_)	1.6	12.02 - 01.05	76	Z 16 XEP
Astra H	1.6	03.04 -	77	Z 16 XEP
	1.6	12.06 -	85	Z 16 XER
	1.8	01.06 -	103	Z 18 XER
Astra H Caravan	1.6	08.04 -	77	Z 16 XEP
	1.6	12.06 -	85	Z 16 XER
	1.8	08.05 -	103	Z 18 XER
Astra H GTC	1.6	03.05 -	77	Z 16 XEP
	1.6 Turbo	02.07 -	132	Z 16 LET
Astra H TwinTop	1.6	09.05 -	77	Z 16 XEP
	1.6	12.06 -	85	Z 16 XER
	1.8	09.05 -	103	Z 18 XER
Corsa D	1.6 Turbo	02.07 -	141	Z 16 LER
Meriva	1.6 Turbo	09.05 -	132	Z 16 LET
Signum	1.8	09.05 -	103	Z 18 XER
	1.8	09.05 -	103	Z 18 XER
Vectra C	1.6	01.06 -	77	Z 16 XEP
	1.8	01.06 -	103	Z 18 XER
Vectra C Caravan	1.8	01.06 -	103	Z 18 XER
Vectra C GTS	1.6	01.06 -	77	Z 16 XEP
	1.8	01.06 -	103	Z 18 XER
	1.8	01.06 -	103	Z 18 XER
Zafira	1.6	07.05 -	77	Z 16 XEP
	1.8	07.05 -	103	Z 18 XEP/Z 18 XER

CL222

OEM-No.
Opel 12 08 075
90 541 062
90 563 160



oval socket

OPEL

Omega B	2.5 V6	03.94 - 09.00	125	X 25 XE
	3.0 V6	04.94 - 02.01	155	X 30 XE
Omega B Caravan	2.5 V6	03.94 - 09.00	125	X 25 XE
	3.0 V6	04.94 - 02.01	155	X 30 XE

CL223

OEM-No.
Opel 12 08 213
90 564 334
91 95 819



OPEL

Omega B	2.2 16V	09.99 - 07.03	106	Y 22 XE/Z 22 XE
Omega B Caravan	2.2 16V	09.99 - 07.03	106	Y 22 XE/Z 22 XE

CL224

OEM-No.
Fiat 71739285
Opel 12 08 026
12 08 551
12 08 553
12 567 686
12 569 342
12 580 537



FIAT

Croma (194)	2.2 16V	06.05 -	108	194 A1.000
-------------	---------	---------	-----	------------

OPEL

Astra G Cabrio	2.2 16V	03.01 - 10.05	108	Z 22 SE
Astra G Caravan (F35_)	2.2 16V	03.01 - 07.04	108	Z 22 SE
Astra G CC (F48_, F08_)	2.2 16V	03.01 - 01.05	108	Z 22 SE
Astra G Coupe (F07_)	2.2 16V	09.00 - 05.05	108	Z 22 SE

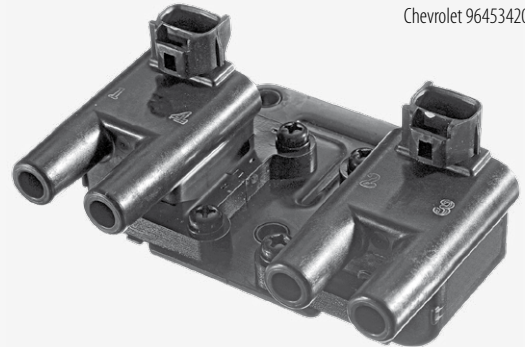
CL224

OPEL

Astra G Sedan (F69_)	2.2 16V	03.01 - 01.05	108	Z 22 SE
Speedster	2.2	09.00 -	108	Z 22 SE
Vectra B (36_)	2.2 i 16V	09.00 - 04.02	108	Z 22 SE
Vectra B Caravan (31_)	2.2 i 16V	09.00 - 07.03	108	Z 22 SE
Vectra B CC (38_)	2.2 i 16V	09.00 - 07.03	108	Z 22 SE
Vectra C	2.2 16V	04.02 -	108	Z 22 SE
Zafira (F75_)	2.2 16V	09.00 - 06.05	108	Z 22 SE

CL225

OEM-No.
Daewoo 96453420
Chevrolet 96453420



DAEWOO

Nubira Sedan (KLAN)	1.6	07.03 -	80	F16D3
Nubira Wagon (KLAN)	1.6	07.03 -	80	F16D3

CHEVROLET

Lacetti	1.4 16V	03.05 -	70	F14D3
	1.6	03.05 -	80	F16D3
Nubira Combi	1.6	03.05 -	80	F16D3

CL226

OEM-No.
Opel 62 35 124
91 53 250
93 172 030

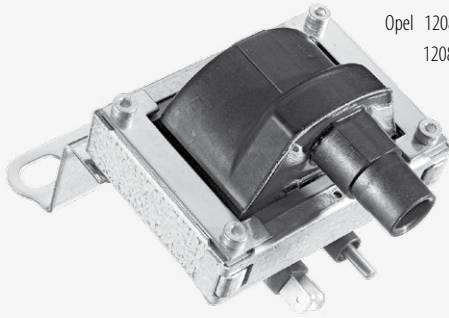


OPEL

Signum	2.2 direct	05.03 -	114	Z 22 YH
Vectra C	2.2 direct	10.03 -	114	Z 22 YH
Vectra C Caravan	2.2 direct	10.03 -	114	Z 22 YH
Vectra C GTS	2.2 direct	10.03 -	114	Z 22 YH
Zafira	2.2	07.05 -	110	Z 22 YH

CL228

OEM-No.	
GM	3474200 9268344
Opel	1208022 1208031



OPEL

Corsa A CC	1.0	09.82 - 03.93	33	10 S
	1.2	09.82 - 08.90	33	12 NC
Corsa A TR	1.0	09.82 - 09.92	33	10 S
	1.2 N	01.85 - 10.87	33	E 12 GV/12 NC
Corsa A Van	1.2	02.86 - 04.89	33	E 12 GV/12 NC
	1.0	02.86 - 04.89	33	10 S
Kadett D	1.2	08.79 - 07.82	39	12 N
	1.2	08.82 - 08.84	40	12 ST
Kadett D Caravan	1.2	08.79 - 07.82	39	12 N
Kadett E	1.2	09.84 - 07.86	40	12 SC
Kadett E Caravan	1.2	09.84 - 07.86	40	12 SC
Kadett E CC	1.2	09.84 - 07.86	40	12 SC
Kadett E Van	1.2	09.84 - 07.86	40	12 SC
Manta B (58_, 59_)	1.6 N	09.75 - 12.80	44	16 N
	1.6 S	09.75 - 12.81	55	16 S
	1.9 E	09.75 - 08.77	77	19 E
	1.9 S	09.75 - 12.80	66	19 S
	2.0 E	08.77 - 08.88	81	20 E
	2.0 S	08.77 - 08.84	74	20 S
Manta B CC (53_, 55_)	1.6 N	09.75 - 12.80	44	16 N
	2.0 E	08.77 - 08.88	81	20 E
	2.0 S	08.77 - 08.84	74	20 S

CL229

OEM-No.	
Opel	12 08 209 90 584 336 91 18 114



for cylinder 1 & 3 & 5

OPEL

Omega B	2.6V6	09.00 - 07.03	132	Y 26 SE
	3.2V6	02.01 - 07.03	160	Y 32 SE
Omega B Caravan	2.6V6	09.00 - 07.03	132	Y 26 SE
	3.2V6	02.01 - 07.03	160	Y 32 SE
Signum	3.2V6	05.03 -	155	Z 32 SE
Vectra B (36_)	2.6 iV6	09.00 - 04.02	125	Y 26 SE
Vectra B Caravan (31_)	2.6 iV6	09.00 - 07.03	125	Y 26 SE

CL229

OPEL

Vectra B CC (38_)	2.6 iV6	09.00 - 07.03	125	Y 26 SE
Vectra C	3.2V6	08.02 -	155	Z 32 SE
Vectra C Caravan	3.2V6	10.03 -	155	Z 32 SE
Vectra C GTS	3.2V6	08.02 -	155	Z 32 SE

CL230

OEM-No.	
Opel	12 08 210 90 584 337 91 18 115



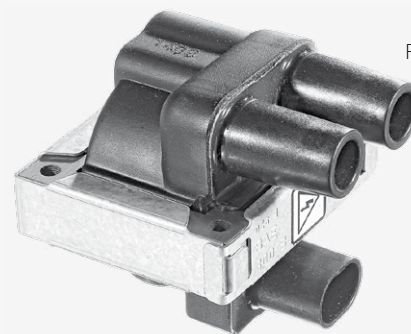
for cylinder 2 & 4 & 6

OPEL

Omega B	2.6V6	09.00 - 07.03	132	Y 26 SE
	3.2V6	02.01 - 07.03	160	Y 32 SE
Omega B Caravan	2.6V6	09.00 - 07.03	132	Y 26 SE
	3.2V6	02.01 - 07.03	160	Y 32 SE
Signum	3.2V6	05.03 -	155	Z 32 SE
Vectra B (36_)	2.6 iV6	09.00 - 04.02	125	Y 26 SE
Vectra B Caravan (31_)	2.6 iV6	09.00 - 07.03	125	Y 26 SE
Vectra B CC (38_)	2.6 iV6	09.00 - 07.03	125	Y 26 SE
Vectra C	3.2V6	08.02 -	155	Z 32 SE
Vectra C Caravan	3.2V6	10.03 -	155	Z 32 SE
Vectra C GTS	3.2V6	08.02 -	155	Z 32 SE

CL300

OEM-No.	
Alfa Romeo	60805420 60809492
Fiat	46543562 46548037 46790073 7626232 76262320 7672018



2 coils per vehicle, number of connectors: 2

ALFA ROMEO

33 (907A)	1.4 i.e.	06.91 - 09.94	65	AR 30755/AR 30753
	1.4 i.e.	06.91 - 09.94	66	AR 30755/AR 30753
33 Sport Wagon (907B)	1.4 i.e.	06.91 - 09.94	65	AR 30755
	1.4 i.e.	06.91 - 09.94	66	AR 30755
	1.4 i.e. 4x4	06.91 - 09.94	66	AR 30587/AR 30755
145 (930)	1.4 i.e.	07.94 - 12.96	66	AR 33501
146 (930)	1.4 i.e.	12.94 - 12.96	66	AR 33501
155 (167)	2.0 16V Turbo Q4	01.92 - 12.97	137	AR 67203
	2.0 16V Turbo Q4	01.92 - 12.97	140	AR 67203

FIAT

Cinquecento (170)	0.7	12.91 - 01.96	23	170 A.000
-------------------	-----	---------------	----	-----------

CL300

CL300				
FIAT				
Cinquecento (170)	0.7 i	07.94 - 01.98	22	170 A.046
	0.9	07.91 - 12.93	30	170 A1.000
	0.9 i.e.	07.91 - 12.93	30	170 A1.046
	0.9 i.e. S	07.91 - 07.99	29	1170 A1.000/1170 A1.046
	1.1 Sporting	10.94 - 01.98	40	176 B2.000
Coupe (FA/175)	2.0 16V Turbo	11.93 - 08.96	140	175 A1.000
Doblo (119)	1.2	03.01 -	48	223 A5.000
Doblo Cargo (223)	1.2	03.01 -	48	223 A5.000
Palio (178BX)	1.2	06.98 -	54	178 E2.000/176 A8.000
	1.4	04.96 -	51	178 B2.000
	1.4 cat	04.96 -	51	178 B2.016
Palio Weekend (178DX)	1.2	04.96 - 02.01	54	178 B5.000
Panda (141A_)	0.9	04.92 - 12.96	29	1170 A1.046
	1.0 i.e. cat	10.87 - 08.98	33	141 C2.000/156 A2.246
	1.1	05.91 - 12.99	37	156 C.046
	1.1	02.95 - 09.03	40	187 A1.000/176 B2.000
	1.1 4x4	02.95 - 07.04	40	176 B2.000
Panda (169)	1.1	09.03 -	40	187 A1.000
	1.2 4x4	10.04 -	44	188 A4.000
	1.2 Bi-Power	01.07 -	44	188 A4.000
Panda Van (141_)	1.0 i.e.	08.92 - 02.04	33	156 A2.246
Panda Van (169)	1.2	09.04 -	44	188 A4.000
Punto (188)	1.2 Natur. Power	09.03 -	44	188 A4.000
Punto 55 (176)	1.1	09.93 - 09.99	40	176 A6.000/176 B2.000
Punto 60 (176)	1.2	01.94 - 09.99	43	176 A7.000
Punto 60 (176)	1.2	03.94 - 09.99	44	176 B1.000/176 B4.000
Punto 60 (188)	1.2	09.99 -	44	188 A4.000
Punto 60 Cabrio (176C)	1.2	04.94 - 06.00	43	176 A7.000
	1.2	05.95 - 06.00	44	176 B1.000/176 B4.000
Punto 75 (176)	1.2	10.93 - 09.99	54	176 A8.000
Punto 85 (176)	1.2 16V	04.97 - 09.99	63	176 B9.000
Punto 85 Cabrio (176C)	1.2 16V	04.97 - 06.00	63	176 B9.000
Punto Van (176L)	1.1	04.96 - 02.00	40	176 B2.000
Seicento (187)	0.9	01.98 -	29	1170 A1.046
	1.1	01.98 -	40	187 A1.000/176 B2.000
Siena (178_)	1.4	04.96 -	51	178 B2.000
	1.4 cat	04.96 -	51	178 B2.016
Strada (178E)	1.2	04.03 -	44	188 A4.000
	1.2	06.99 -	54	178 B5.000
Tempra (159)	1.8 i.e.	09.93 - 08.96	66	835 C4.000
	1.8 i.e.	10.94 - 08.96	74	836 A5.000
	1.8 i.e.	09.93 - 08.96	76	835 C2.000
Tempra S.W. (159)	1.8 i.e.	09.93 - 08.96	66	835 C4.000
	1.8 i.e.	10.94 - 08.96	74	836 A5.000
	1.8 i.e.	09.93 - 08.96	76	835 C2.000
Tipo (160)	1.8 i.e.	09.93 - 04.95	66	835 C4.000
	1.8 i.e.	10.94 - 04.95	74	159 A4.000
	1.8 i.e.	04.93 - 04.95	76	835 C2.000
LANCIA				
Dedra (835)	1.8 i.e.	07.94 - 07.99	74	836 A5.000
Dedra SW (835)	1.8 i.e.	07.94 - 07.99	74	836 A5.000
Delta I (831AB0) Integrale	2.0 16V HF Evo	06.93 - 01.94	155	831 E5.046/831 E5.000
Delta II (836)	1.8 i.e.	07.94 - 08.99	66	835C4.000/836C4./-A6.000
	1.8 i.e.	12.94 - 08.99	76	835 C2.000
	2.0 16V Turbo	06.93 - 08.99	137	836 A2.000
	2.0 16V Turbo	07.96 - 08.99	142	175 A4.000
Thema (834)	2.0 16V Turbo	12.88 - 06.90	133	834 C1.000
	2.0 i.e. 16V	02.89 - 05.92	104	834 B2.246
	2.0 i.e. 16V Turbo	04.89 - 05.92	130	834 C1.246

CL300				
LANCIA				
Thema SW (834)	2.0 Turbo	01.89 - 03.92	110	834 C.146
	2.0 i.e. 16V	02.89 - 05.92	104	834 B2.246
	2.0 i.e. 16V Turbo	04.89 - 03.93	130	834 C1.246
	2.0 i.e. 16V Turbo	12.88 - 06.90	133	834 C1.000
Y (840A)	1.1	11.95 - 09.03	40	176 B2.000
	1.2	03.96 - 09.03	44	840 A3.000/188 A4.000
	1.2 16V	04.97 - 09.03	63	176 B9.000
Ypsilon	1.2	10.03 -	44	188 A4.000

CL301				
				OEM-No.
				Fiat 46777286
				55180004
1 coil per cylinder				
FIAT				
Doblo (119)	1.6 16V	10.01 -	76	182 B6.000
Doblo Cargo (223)	1.6 16V	10.01 -	76	182 B6.000
Palio Weekend (178DX)	1.6 16V	02.01 -	76	182 B6.000
Stilo (192)	1.6 16V	10.01 -	76	182 B6.000
Stilo Multi Wagon (192)	1.6 16V	01.03 -	76	182 B6.000

CL302				
				OEM-No.
				Alfa Romeo 60558152
				Alfa Romeo 60809606
				Alfa Romeo 76487970
				Fiat 60558152
				Fiat 60809606
				Fiat 7648797
				Fiat 76487970
				Kia OK0-11-18-100
				Lancia 60558152
				Lancia 60809606
				Lancia 76487970
				Landrover ERR 6045
				Landrover ERR 6566
Proton PW811201				
PSA 597053				

ALFA ROMEO				
155 (167)	1.7 T.S.	04.93 - 04.96	83	AR 67103
	1.7 T.S.	04.93 - 04.96	85	AR 67105
	1.8 T.S.	01.92 - 12.96	93	AR 67101/AR 67102
	1.8 T.S.	02.92 - 06.93	95	AR 67101
	2.0 T.S.	02.92 - 02.95	104	AR 67202
	2.0 T.S.	02.92 - 04.93	106	AR 67201
164 (164)	2.0 T.S.	09.92 - 09.98	106	AR 64103
	2.0 T.S.	06.87 - 12.90	109	AR 06420

CITROEN				
Jumpy (U6U)	1.6	10.95 -	58	220A2.000
Jumpy Van	1.6	10.95 -	58	220A2.000
FIAT				
Brava (182)	1.2 16V 80	10.00 - 10.01	59	188 A5.000



CL302

FIAT

Brava (182)	1.2 16V 80	12.98 - 10.00	60	182 B2.000
	1.4	10.95 - 10.01	55	182 A5.000
	1.4 12V	10.95 - 08.98	59	182 A3.000
Bravo (182)	1.2 16V 80	10.00 - 10.01	59	188 A5.000
	1.2 16V 80	12.98 - 10.00	60	182 B2.000
	1.4	10.95 - 10.01	55	182 A5.000
	1.4 12V	10.95 - 10.01	59	182 A3.000
Croma (154)	2.0 16V	08.92 - 08.96	101	154 E1.000
Fiorino 70 Van (146 Uno)	1.4 i.e.	11.96 - 05.01	49	146 C5.000/146 D5.000
Fiorino 75 Van (146 Uno)	1.6 i.e.	10.93 - 05.01	55	146 D6.000/146 C6.000
Fiorino Pick up (146)	1.4	05.94 - 05.01	49	146 D5.000
Marea (185)	1.2 16V	10.98 -	60	182 B2.000
	1.4 80 12V	09.96 -	59	182 A3.000
Marea Weekend (185)	1.2 16V	10.98 -	60	182 B2.000
	1.4 80 12V	09.96 -	59	182 A3.000
Punto (176)	1.4 GT Turbo	09.96 - 09.99	96	176 B6.000
	1.4 GT Turbo	01.94 - 09.96	98	176 A4.000
Punto (188)	1.2 16V 80	09.99 -	59	188 A5.000
Scudo Combinato (220P)	1.6	02.96 -	58	220 A 2.000
Scudo Van (220L)	1.6	02.96 -	58	220 A 2.000
Tempra (159)	1.4 i.e.	03.95 - 08.96	51	836 A4.000/160 A1.046
	1.6 i.e.	06.92 - 08.96	55	835 C1.000
Tempra S.W. (159)	1.4 i.e.	10.92 - 08.96	51	836 A4.000
	1.6 i.e.	10.92 - 08.96	55	835 C1.000
Tipo (160)	1.4 i.e.	05.89 - 04.95	51	836 A4.000
	1.6 i.e.	10.92 - 04.95	55	835 C1.000

FSO

Polonez III	1.4 i 16V	09.92 -	76	Rover K16 DOHC
-------------	-----------	---------	----	----------------

KIA

Sportage (K00)	2.0 i 16V	10.99 - 08.03	94	FE (16V)
	2.0 i 16V 4WD	04.94 - 08.03	94	FE (16V)

LANCIA

Dedra (835)	1.6 i.e.	04.93 - 07.99	55	835 C1.000
Delta II (836)	1.4 i.e.	10.94 - 08.99	51	836 A4.000
	1.6 i.e.	06.93 - 08.99	55	835 C1.000
Kappa (838A)	2.0 16V Turbo	02.95 - 10.01	151	838 A4.000
Kappa Coupe (838)	2.0 16V Turbo	11.96 - 03.01	151	838 A4.000
Kappa SW (838B)	2.0 16V Turbo	07.96 - 10.01	151	838 A4.000
Thema (834)	2.0 16V	08.92 - 12.93	112	834 F1.000
	2.0 16V Turbo	10.92 - 07.94	148	834 F2.000
	2.0 i.e.	09.87 - 05.92	85	834 B.146
Thema SW (834)	2.0 16V	05.92 - 07.94	112	834 F1.000
	2.0 16V Turbo	11.92 - 07.94	148	834 F2.000
Y (840A)	1.2 16V	10.00 - 09.03	59	188 A5.000
	1.4 12V	03.96 - 09.03	55	840 A4.000
	1.4 12V	10.96 - 09.03	59	840 A2.000
Y10 (156)	1.1 Avenue	01.95 - 12.95	40	176 B2.000
	1.1 Avenue 4WD	01.95 - 12.95	40	176 B2.000
	1.1 i.e. Fire	10.92 - 09.95	37	156 C.046
	1.1 i.e. Fire 4WD	09.92 - 12.95	37	156 C.046

LANDROVER

Discovery II (LJ, LT)	4.0 V8	11.98 -	136	
Range Rover II (LP)	3.9	07.94 - 03.02	140	42 D
	4.0	06.98 - 03.02	136	
	4.6	06.98 - 03.02	160	
	4.6	07.94 - 03.02	165	46 D

PROTON

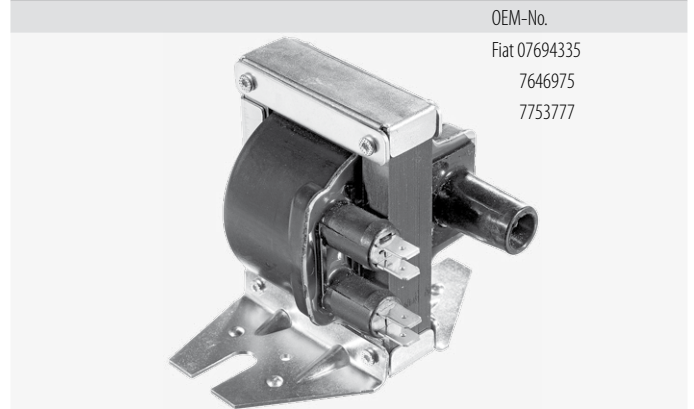
Gen 2 (CM_)	1.3	06.04 -	70	
	1.6	06.04 -	82	S4PH
Wira	1.3	08.00 -	55	4 G 13

CL302

PROTON

Wira	1.5	08.00 -	64	4 G 15
Wira Hatchback	1.3	08.00 -	55	4 G 13
	1.5	08.00 -	64	4 G 15 M

CL303



OEM-No.
Fiat 07694335
7646975
7753777

flat (6,3 x 0,8 mm) connectors

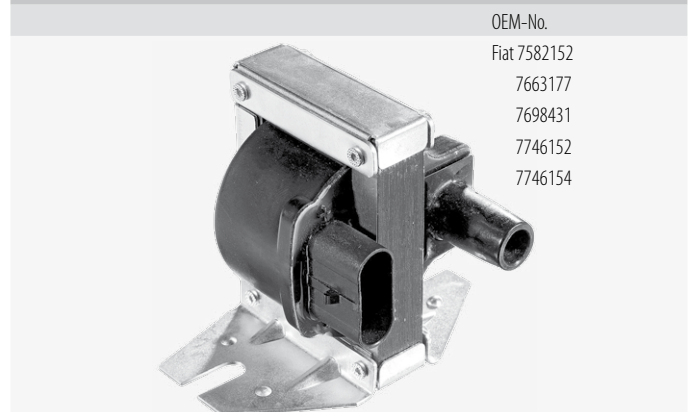
FIAT

Croma (154)	2.0 CHT	12.85 - 02.89	66	154 A1.000
	2.0 i.e.	03.86 - 09.90	83	834 B.048
Regata 75 (138)	1.5 i.e.	10.85 - 07.89	55	149 C1.000/138 C2.048
Regata 75 Weekend	1.5 i.e. cat	12.86 - 07.89	55	138 C2.048
Uno 75 (146A/E)	1.5 i.e.	10.85 - 12.93	55	138 C2.048

LANCIA

Y10 (156)	1.3 i.e. Fire	02.89 - 12.95	53	156 B.000/146 A 5.046
-----------	---------------	---------------	----	-----------------------

CL304



OEM-No.
Fiat 7582152
7663177
7698431
7746152
7746154

number of connectors: 4

FIAT

Panda (141A_)	1.0	01.85 - 12.92	37	156 A3.000
	1.0 4x4	01.86 - 12.92	37	156 A3.000
	1.1	05.91 - 12.99	37	156 C.046
	1.1 Trekking 4x4	10.91 - 07.04	37	156 C.046
Tipo (160)	1.1	01.88 - 10.91	41	160 A3.000
	1.4	07.87 - 12.89	52	160 A1.000
	1.4 i.e.	05.89 - 04.95	51	836 A4.000/160 A1.046
Uno 45 (146A/E)	1.0	01.88 - 12.93	32	156 A2.048/156 A2.100
	1.0 i.e.	01.88 - 10.95	33	156 A2.246
Uno 50 (146A/E)	1.1 i.e.	06.92 - 12.93	36	146 C3.000
Uno 60 (146A/E)	1.1	04.89 - 12.92	42	160 A3.000
	1.1	01.88 - 08.89	43	146 A4.048
Uno 75 (146A/E)	1.5 i.e.	10.89 - 12.93	55	149 C1.000

LANCIA

Y10 (156)	1.0 Fire	06.85 - 06.91	32	156 A 2.100
	1.0 Fire 4WD	12.86 - 02.89	32	156 A 2.100

CL304



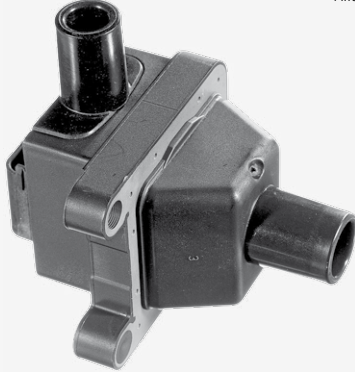
CL304

LANCIA

Y10 (156)	1.0 Fire cat	10.87 - 02.92	33	156 A2.246
	1.1 i.e. Fire	07.89 - 09.92	37	156 C.046

CL305

OEM-No.
Alfa Romeo 46469863

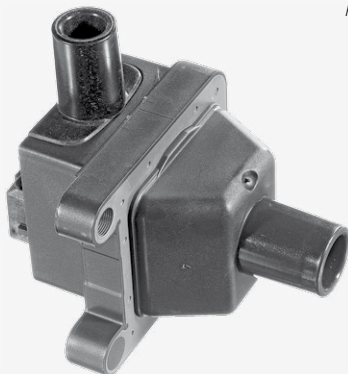


ALFA ROMEO

145 (930)	1.4 i.e. 16V T.S.	12.96 - 01.01	76	AR 33503/AR 38501
	1.6 i.e. 16V T.S.	12.96 - 01.01	88	AR 67601/AR 38201
	1.8 i.e. 16V	03.98 - 01.01	106	AR 32201
145 (930)	Quadrifoglio 2.0 16V	03.98 - 01.01	114	AR 32301
146 (930)	1.4 i.e. 16V T.S.	11.96 - 01.01	76	AR 33503/AR 38501
	1.6 i.e. 16V T.S.	11.96 - 01.01	88	AR 67601/AR 38201
	1.8 i.e. 16V T.S.	03.98 - 01.01	106	AR 32201
146 (930)	Quadrifoglio 2.0 16V	03.98 - 01.01	114	AR 32301
156 (932)	1.8 16V T.S.	09.97 - 10.00	106	AR 32201
	2.0 16V T.S.	09.97 - 10.00	114	AR 32301
166 (936)	2.0 T.S.	09.98 - 10.00	114	AR 34103
GTV (916C_)	1.8 16V	05.98 -	106	AR 32201
	2.0 16V T.S.	06.95 -	110	AR 16201/AR 32310
Spider (916S_)	1.8 16V	05.98 - 04.05	106	AR 32201
	2.0 16V T.S.	06.95 - 04.05	110	AR 16201/AR 32310
	2.0 16V T.S.	05.98 - 08.00	114	AR 32301

CL306

OEM-No.
Alfa Romeo 7793212



ALFA ROMEO

145 (930)	1.4 i.e. 16V T.S.	12.96 - 01.01	76	AR 33503/AR 38501
	1.6 i.e. 16V T.S.	12.96 - 01.01	88	AR 67601/AR 38201
	1.8 i.e. 16V T.S.	12.96 - 12.98	103	AR 38401/AR 67106
	2.0 16V T.S.	10.95 - 01.01	110	AR 67204
146 (930)	1.4 i.e. 16V T.S.	11.96 - 01.01	76	AR 33503/AR 38501
	1.6 i.e. 16V T.S.	11.96 - 01.01	88	AR 67601/AR 38201
	1.8 i.e. 16V T.S.	11.96 - 01.01	103	AR 38401/AR 67106
	2.0 16V T.S.	10.95 - 01.01	110	AR 67204

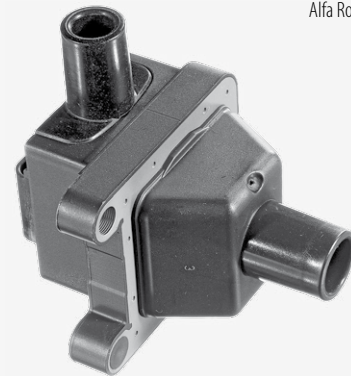
CL306

ALFA ROMEO

155 (167)	1.6 16V T.S.	05.96 - 12.97	88	AR 67601
	1.7 16V T.S.	05.96 - 12.97	103	AR 67106
	2.0 16V T.S.	03.95 - 12.97	110	AR 67204
156 (932)	1.6 16V T.S.	09.97 - 09.05	88	AR32102/-103/-104/AR67601
156 Sportwagon (932)	1.6 16V T.S.	05.00 - 05.06	88	AR32102/-103/-104/AR67601
Spider (916S_)	2.0 16V T.S.	06.95 - 04.05	110	AR 16201/AR 32310

CL307

OEM-No.
Alfa Romeo 46755605

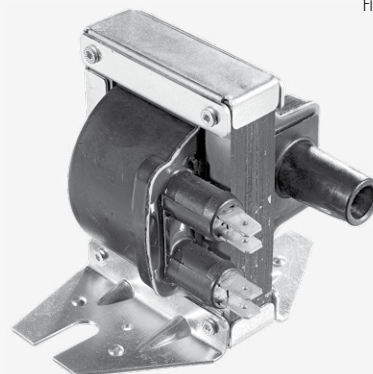


ALFA ROMEO

147 (937)	1.6 16V T.S.	01.01 -	88	AR 32104
	1.6 16V T.S. Eco	01.01 -	77	AR 37203
	2.0 16V T.S.	01.01 -	110	AR 32310
156 (932)	1.6 16V T.S.	09.97 - 09.05	88	AR32102/-103/-104/AR67601
	1.8 16V T.S.	10.00 - 09.05	103	AR 32205
	2.0 16V T.S.	10.00 - 03.02	110	AR 32310
156 Sportwagon (932)	1.6 16V T.S.	05.00 - 05.06	88	AR32102/-103/-104/AR67601
	1.8 16V T.S.	10.00 - 05.06	103	AR 32205
	1.8 16V T.S.	05.00 - 10.00	106	AR 32201
	2.0 16V T.S.	10.00 - 03.02	110	AR 32310
	2.0 16V T.S.	05.00 - 10.00	114	AR 32301
	166 (936)	2.0 T.S.	10.00 -	110
GT	1.8 TS	11.03 -	103	AR 32205
Spider (916S_)	2.0 16V T.S.	06.95 - 04.05	110	AR 16201/AR 32310

CL308

OEM-No.
Fiat 7553120
7646974
7746153



flat (6,3 x 0,8 mm) connectors

FIAT

Duna 60 (146 B)	1.1	01.87 - 12.91	43	146 A6.000
Duna 60 Weekend	1.1	01.87 - 12.91	43	146 A6.000
Duna 70 (146 B)	1.3	01.87 - 12.91	49	146 A5.000
Duna 70 Weekend	1.3	01.87 - 12.91	49	146 A5.000
Elba (146_)	1.5	01.92 - 12.96	55	149 C1.000

CL308

FIAT

Fiorino (127)	1.05	01.80 - 12.87	37	127 A.000
Fiorino (147)	1.0	01.80 - 12.87	37	127 A.000
	1.3	12.87 - 08.93	49	146 A5.000
Fiorino 60 Van	1.1	05.88 - 12.93	40	146 A9.000
Fiorino 70 Van	1.3	01.88 - 12.94	49	146 A5.000
Panda (141A_)	0.75	01.86 - 01.95	25	156 A4.000
	0.75	01.86 - 01.95	25	141 B.000
Panda Van (141_)	0.75	01.86 - 07.92	25	141 B.000
Ritmo 70 I (138A)	1.3	11.83 - 08.85	48	149 A3.000/149 A7.000
Ritmo 75 I (138A)	1.5 i.e.	10.85 - 05.87	55	149 C1.000/138 C2.048
Ritmo 75 II (138A)	1.5	09.85 - 12.88	55	138 A2.000
	1.5 cat	09.85 - 12.88	55	149 C1.000/138 C2.048
Uno 45 (146A/E)	1.0	06.86 - 12.87	32	156 A2.048/156 A2.100
	1.0 i.e.	04.84 - 12.87	33	156 A2.246
Uno 60 (146A/E)	1.1	05.85 - 12.87	43	146 A4.048
Uno 75 (146A/E)	1.5 i.e.	01.86 - 12.89	55	138 C2.048

LANCIA

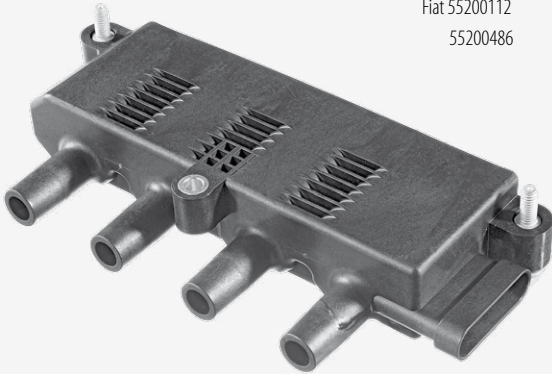
Delta I (831A80)	1.3	09.79 - 08.92	55	831 A2.000/831 B.000
	1.5	09.79 - 12.92	63	831 A1.000/831 B1.000
Y10 (156)	1.1 i.e.	08.89 - 06.92	42	156 C.000

CL309

OEM-No.

Fiat 55200112

55200486



FIAT

500	1.2	10.07 -	51	169 A4.000
Doblo (119)	1.4	10.05 -	57	350 A1.000
Doblo Cargo (223)	1.4	10.05 -	57	350 A1.000
Grande Punto (199)	1.2	10.05 -	48	199 A4.000
	1.4	10.05 -	57	350 A1.000
Idea	1.4	10.05 -	57	350 A1.000
Línea	1.4	06.07 -	57	350 A1.000

LANCIA

Musa	1.4	09.05 -	57	350 A1.000
Ypsilon	1.4	02.06 -	57	350 A1.000

CL310

OEM-No.

Fiat 46777288



1 coil per cylinder

FIAT

500	1.4	10.07 -	74	169 A3.000
Bravo	1.4	04.07 -	66	192 B2.000
Grande Punto (199)	1.4 16V	10.05 -	70	199 A6.000
Idea	1.2 16V	01.04 -	59	188 A5.000
	1.4 16V	01.04 -	70	843 A1.000
Panda (169)	1.4	10.06 -	74	169 A3.000
Punto (188)	1.4	09.03 -	70	843 A1.000
Stilo (192)	1.2 16V	02.02 -	59	188 A5.000
	1.4 16V	03.05 -	66	192 B2.000
	1.4 16V	01.04 -	70	843 A1.000
Stilo Multi Wagon (192)	1.4 16V	03.05 -	66	192 B2.000
	1.4 16V	01.04 -	70	843 A1.000

LANCIA

Musa	1.4	10.04 -	70	843 A 1.000
Ypsilon	1.2	10.03 -	59	188 A5.000
	1.4 16V	10.03 -	70	843 A 1.000

CL311

OEM-No.

Fiat 46777287

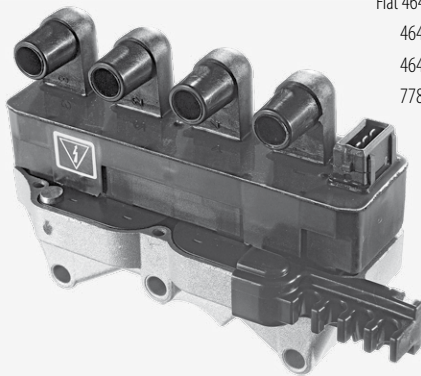


1 coil per cylinder

FIAT

Stilo (192)	2.4 20V	10.01 -	125	192 A2.000
-------------	---------	---------	-----	------------

CL312



OEM-No.
Fiat 46446039
46472440
46480361
7789346

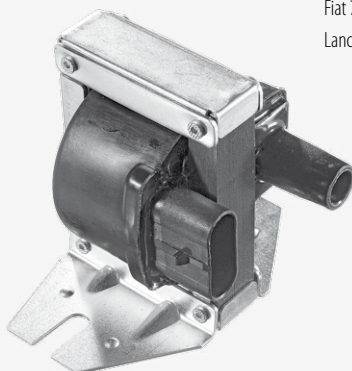
FIAT

Brava (182)	1.6 16V	10.95 - 10.01	66	182 A6.000
	1.6 16V	02.96 - 10.01	76	182 A4.000
Bravo (182)	1.6 16V	10.95 - 10.01	66	182 A6.000
	1.6 16V	03.96 - 10.01	76	182 A4.000
Marea (185)	1.6 16V 100	09.96 -	76	182 A4.000
Marea (185) (Bipower)	1.6 16V 100	04.99 -	76	186 A4.000/185 A3.000
Marea Weekend (185)	1.6 16V 100	09.96 -	76	182 A4.000
Multipla (186)	1.6 16V 100	04.99 -	76	182 A4.000
	1.6 16V Bipower	04.99 -	76	186 A4.000
	1.6 16V Bipower	10.01 -	76	182 B6.000
	1.6 16V Blupower	04.99 -	70	186 A3.000
	1.6 16V Blupower	04.02 -	70	182 B6.000
Palio (178BX)	1.6 16V	04.96 -	74	178 B3.000
Palio Weekend	1.6 16V	04.96 - 02.01	74	178 B3.000
	1.6 16V	02.01 -	76	182 B6.000
Siena (178_)	1.6 16V	09.98 -	78	178 B3.000

LANCIA

Dedra (835)	1.6 16V	01.96 - 07.99	76	182 A4.000
Dedra SW (835)	1.6 16V	01.96 - 07.99	76	182 A4.000
Delta II (836)	1.6 i.e.	03.96 - 08.99	66	182 A6.000
	1.6 i.e. 16V	01.96 - 08.99	76	182 A4.000
Lybra (839AX)	1.6 16V	07.99 -	76	182 A4.000
Lybra SW (839BX)	1.6 16V	07.99 -	76	182 A4.000

CL313



OEM-No.
Fiat 7746151
Lancia 7588435
7588436

number of connectors: 4

FIAT

Croma (154)	2.0 CHT	07.88 - 02.89	66	154 A1.000
	2.0 i.e.	10.87 - 08.96	85	154 C3.046/834 B.146
	2.0 i.e.	03.87 - 09.92	88	834 B.000/154 C3.000
Fiorino 70 Van	1.4 i.e.	05.94 - 10.96	49	146 C5.000/146 D5.000
	1.5 i.e.	05.88 - 12.93	55	149 C1.000
	1.6 i.e.	10.93 - 05.01	55	146 D6.000/146 C6.000

CL313

FIAT

Fiorino Pick up	1.4	05.94 - 09.00	49	146 D5.000
	1.6	01.94 - 05.01	55	146 D6.000/146 C6.000
Regata 75 (138)	1.5 i.e.	07.86 - 07.89	55	149 C1.000/138 C2.048
Tempra (159)	1.4 i.e.	03.92 - 02.95	51	836 A4.000/160 A1.046
	1.6	03.90 - 04.93	63	159 A3.000
	1.6 i.e.	06.92 - 08.96	55	159 A3.048
	1.6 i.e.	06.90 - 07.92	57	159 A3.046
Tempra S.W. (159)	1.4 i.e.	10.92 - 08.96	51	160 A1.046
	1.6	12.90 - 04.93	63	159 A3.000
	1.6 i.e.	10.92 - 08.96	55	159 A3.048
	1.6 i.e.	10.90 - 08.96	57	159 A3.046/835 C1.000
Tipo (160)	1.4	07.87 - 12.89	52	160 A1.048
	1.4 i.e.	05.89 - 04.95	51	160 A1.046
	1.6	01.88 - 10.91	61	160 A2.000
	1.6 i.e.	10.92 - 04.95	55	159 A3.048
Uno 70 (146A/E)	1.6 i.e.	07.90 - 01.93	57	159 A3.046
	1.4 i.e.	09.89 - 12.93	51	160 A1.046
Uno 75 (146A/E)	1.4 S	09.89 - 10.92	52	160 A1.048
	1.5 i.e.	10.85 - 12.93	55	149 C1.000

LANCIA

Dedra (835)	1.6 i.e.	08.89 - 03.93	57	835 A1.046
Delta II (836)	1.4 i.e.	10.94 - 08.99	51	160 A1.046
Thema (834)	2.0 i.e.	03.86 - 09.88	83	834 B.048
	2.0 i.e.	10.88 - 05.92	85	834 B.146
	2.0 i.e.	09.88 - 05.92	86	834 B1.000
	2.0 i.e. Turbo	07.86 - 05.90	110	834 C.146
Y10 (156)	1.3 i.e. Fire	09.92 - 12.95	53	156 B.000/146 A 5.046

CL314



OEM-No.
Fiat 46460582

1 coil per cylinder

FIAT

Barchetta (183)	1.8 16V	04.95 - 07.99	96	183 A1.000/188 A6.000
Brava (182)	1.8 GT 16V	10.95 - 06.98	83	182 A2.000
Bravo (182)	1.8 GT	10.95 - 06.98	83	182 A2.000
Coupe (FA/175)	1.8 16V	03.96 - 08.00	96	183 A1.000
Marea (185)	1.8 16V 115	09.96 - 06.99	83	182 A2.000
Marea Weekend (185)	1.8 16V 115	09.96 - 06.99	83	182 A2.000

LANCIA

Dedra (835)	1.8 16V LE	03.96 - 07.99	83	182 A2.000
	1.8 GT 16V	03.96 - 07.99	96	183 A1.000
Dedra SW (835)	1.8 16V LE	03.96 - 07.99	83	182 A2.000
Delta II (836)	1.8 i.e.	06.93 - 08.99	76	835 C2.000

CL315

OEM-No.
Fiat 46473849



1 coil per cylinder

FIAT

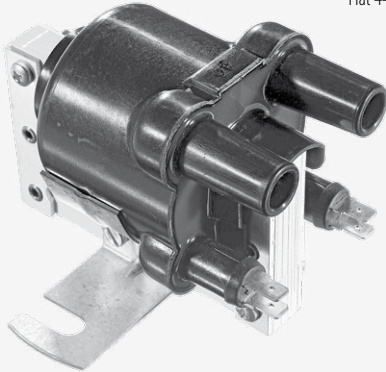
Barchetta (183)	1.8 16V	07.99 -	96	183 A1.000/188 A6.000
Brava (182)	1.8 GT 16V	06.98 - 10.01	83	182 A2.000
Bravo (182)	1.8 GT	06.98 - 10.01	83	182 A2.000
Coupe (FA/175)	1.8 16V	03.96 - 08.00	96	183 A1.000
Marea (185)	1.8 16V 115	06.99 -	83	182 A2.000
Marea Weekend (185)	1.8 16V 115	06.99 -	83	182 A2.000

LANCIA

Delta II (836)	1.8 i.e. 16V	03.96 - 08.99	83	182 A2.000
	1.8 i.e. 16V GT	03.96 - 08.99	96	183 A1.000
Lybra (839AX)	1.8 16V	07.99 -	96	839A7.000/-A9.000/-A4.000
Lybra SW (839BX)	1.8 16V	07.99 -	96	839 A7.000/839 A4.000

CL316

OEM-No.
Fiat 4439396



FIAT

126	0.65	07.77 - 09.87	17	126 A1.000/126 A1.048
126	0.7	09.87 - 06.96	19	126 A2.000/126 A2.048
Panda (141A_)	0.65	01.82 - 07.04	22	141 A.000

CL317

OEM-No.
Fiat 46403328



1 coil per cylinder, rectangular socket

FIAT

Bravo (182)	2.0 HGT 20V	10.95 - 07.98	108	182 A1.000
Coupe (FA/175)	2.0 20V	08.96 - 04.98	108	182 A1.000
	2.0 20V Turbo	08.96 - 08.00	162	175 A3.000
Marea (185)	2.0 20V 150	09.96 - 04.99	108	182 A1.000
Marea Weekend	2.0 20V 150	09.96 - 04.99	108	182 A1.000

LANCIA

Kappa (838A)	2.0 20V	10.94 - 10.01	107	838 A1.000
	2.0 20V	07.96 - 10.01	114	838 A6.000
	2.0 20V Turbo	06.98 - 10.01	162	175 A3.000
	2.4 20V	08.94 - 10.01	129	838 A2.000/838 A2.027
Kappa Coupe (838)	2.0 20V	07.96 - 03.01	114	838 A6.000
	2.4 20V	11.96 - 03.01	129	838 A2.000
Kappa SW (838B)	2.0 20V	07.96 - 10.01	114	838 A6.000
	2.0 20V Turbo	06.98 - 10.01	162	175 A3.000
	2.4 20V	07.96 - 10.01	129	838 A2.000

CL318

OEM-No.
Alfa Romeo 46467542
Fiat 46467542
Lancia 46467542



1 coil per cylinder

FIAT

Bravo (182)	2.0 HGT 20V	07.98 - 10.01	113	182 B7.000
Coupe (FA/175)	2.0 20V	04.98 - 08.00	113	182 B3.000
Marea (185)	2.0 20V 150	01.01 -	110	185 A8.000
	2.0 20V 155	04.99 - 01.01	113	182 B7.000
Marea Weekend	2.0 20V 150	01.01 -	110	185 A8.000
	2.0 20V 155	04.99 - 01.01	113	182 B7.000

LANCIA

Kappa (838A)	2.0 20V	07.96 - 10.01	114	838 A6.000
	2.4 20V	08.94 - 10.01	129	838 A2.000/838 A2.027
Kappa SW (838B)	2.0 20V	07.96 - 10.01	114	838 A6.000
	2.4 20V	07.96 - 10.01	129	838 A2.000
Lybra (839AX)	2.0 20V	09.00 -	110	185 A8.000
	2.0 20V	07.99 - 09.00	113	182 B7.000
Lybra SW (839BX)	2.0 20V	09.00 -	110	185 A8.000

CL318



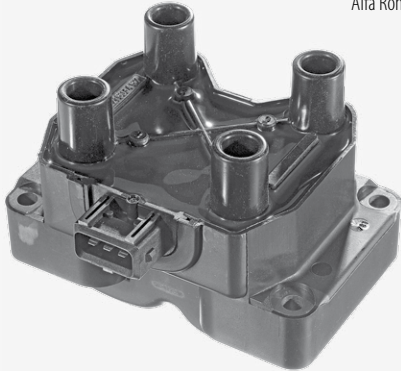
CL318

LANCIA

Lybra SW (839BX)	2.0 20V	07.99 - 09.00	113	182 B7.000
Thesis (841AX)	2.4	07.02 -	125	841 D.000
	2.0 Turbo	07.02 -	136	841 E.000

CL319

OEM-No.
Alfa Romeo 60586072

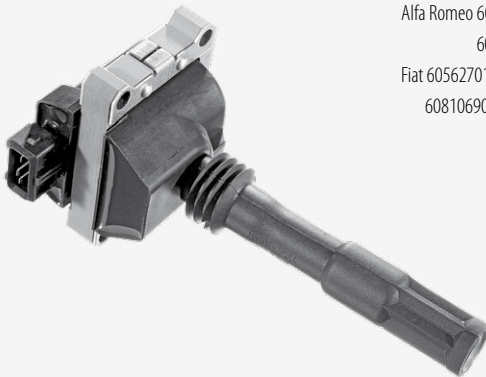


ALFA ROMEO

33 (907A)	1.5 i.e	01.90 - 09.94	71	AR 30751
33 Sport Wagon	1.5 i.e	01.90 - 09.94	71	AR 30751
145 (930)	1.6 i.e.	10.94 - 12.96	76	AR 33201
	1.7 i.e. 16V	10.94 - 12.96	95	AR 33401
146 (930)	1.6 i.e.	12.94 - 12.96	76	AR 33201
	1.7 i.e. 16V	12.94 - 12.96	95	AR 33401

CL320

OEM-No.
Alfa Romeo 60562701
60810690
Fiat 60562701
60810690



1 coil per cylinder

ALFA ROMEO

147 (937)	3.2 GTA	02.03 -	184	932 A.000
156 (932)	2.5 V6 24V	09.97 - 10.00	140	AR 32401
	2.5 V6 24V	10.00 - 09.05	141	AR 32405
	3.2 GTA	03.02 - 09.05	184	932 A.000
156 Sportwagon (932)	2.5 V6 24V	05.00 - 10.00	140	AR 32401
	2.5 V6 24V	10.00 - 05.06	141	AR 32405
	3.2 GTA	03.02 - 05.06	184	932 A.000
164 (164)	3.0 24V	09.92 - 09.98	155	AR 66301/AR 66302
	3.0 24V Q4	02.94 - 09.98	170	AR 64308/AR 64307
	3.0 24V QV	09.92 - 09.98	171	AR 64304
166 (936)	2.5 V6 24V	10.00 -	138	AR 36201
	2.5 V6 24V	09.98 - 10.00	140	AR 34201
	3.0 V6 24V	10.00 -	162	AR 36101
	3.0 V6 24V	09.98 - 10.00	166	AR 34301
	3.2 V6 24V	10.03 -	176	936 A.000
GT	3.2 GTA	11.03 -	176	936 A.000
GTV (916C_)	3.0 V6 24V	10.00 -	160	AR 16105

CL320

ALFA ROMEO

GTV (916C_)	3.0 V6 24V	10.96 - 10.00	162	AR 16102
	3.2 V6 24V	04.03 -	176	936 A6.000
Spider (916S_)	3.0 V6	10.00 - 04.05	160	AR 16105
	3.2 V6 24V	04.03 - 04.05	176	936 A6.000

LANCIA

Kappa (838A)	3.0 24V	08.94 - 10.01	150	838 B.000
Kappa Coupe (838)	3.0 24V	11.96 - 03.01	150	838 B.000
Kappa SW (838B)	3.0 24V	07.96 - 10.01	150	838 B.000
Thesis (841AX)	3.0 V6	07.02 -	158	841 A.000

CL321

OEM-No.
Alfa Romeo 46794782



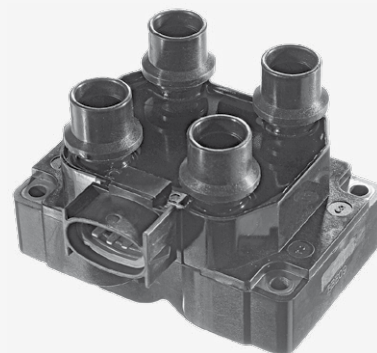
1 coil per cylinder

ALFA ROMEO

159	1.9 JTS	09.05 -	118	939 A6.000
156 (932)	2.0 JTS	03.02 - 09.05	122	937 A1.000
156 Sportwagon (932)	2.0 JTS	03.02 - 05.06	122	937 A1.000
GT	2.0 JTS	11.03 -	121	932 A2.000/937 A1.000
GTV (916C_)	2.0 JTS	04.03 -	121	937 A1.000
Spider (916S_)	2.0 JTS	04.03 - 04.05	121	937 A1.000

CL400

OEM-No.			
Ford 1008886	6503279	938F 12024 DA	Ford F5LU12029AA
1008887	6503280	96FB12257AB	F5LY 12029 A
1018139	6860288	E8TF12029AA	F5OU12029AA
1018140	6860289	E8TZ-12029-A	F5OY12029A
12029CA	8SF 12029 A1A	E9TF-12029-AA	F5OY12029B
1649067	88SF 12029 AA	F1VU12029A1A	F5RZ12029C
6181956	88SF 12029 A1A	F1VU12029A2A	Mazda 1E0518100
6503277	88SF 12029 A2A	F1VY12029A	1E0518100A
6503278	89BF 12024 A1B	F37U23029AA	F5D718100
		F37Z 12029 A	ZZM018100



FORD

Escort,86 Express (AVF)	1.3	02.86 - 07.90	44	JLA/JBB/JLB
	1.3	07.88 - 07.90	46	JBA

CL400

CL400				
FORD				
Escort,91 Express (AVL)	1.4	07.90 - 12.94	52	F6F/F6G
Escort,95 Express (AVL)	1.4	01.95 -	54	F4B
Escort Classic	1.6 16V	10.98 - 07.00	66	L1E
Escort Classic Turnier	1.6 16V	02.99 - 07.00	66	L1E
Escort IV	1.3	07.88 - 10.90	46	JBA
	1.4	01.86 - 07.90	54	F6D/F6B/FUC
	1.4	01.86 - 07.90	55	FUA
	1.6	04.89 - 07.90	65	LUG
	1.6 i	01.86 - 05.90	66	L4B
	1.6 i	08.89 - 07.90	75	LJB
	1.6 XR3i	01.86 - 08.89	77	LRB/LR2
Escort IV Cabrio (ALF)	1.4	02.87 - 07.90	54	F6D/F6B/FUC
	1.4	01.86 - 07.90	55	FUA
	1.6 i	01.86 - 07.90	66	L4B
	1.6 i	08.89 - 07.90	75	LJB
Escort IV Combi	1.3	01.86 - 07.90	44	JLA/JBB/JLB
	1.4	01.86 - 07.90	54	F6D/F6B/FUC
	1.4	01.86 - 07.90	55	FUA
	1.6 i	01.86 - 07.90	66	L4B
Escort V (GAL)	1.4	07.90 - 09.92	52	F6F/F6G
	1.6	07.90 - 12.92	77	LJF
	1.8 16V XR3i	02.92 - 12.92	77	RDA
	1.8 16V XR3i	02.92 - 12.92	96	RQB
Escort V Cabrio (ALL)	1.4	07.90 - 12.92	52	F6F/F6G
	1.6	07.90 - 12.92	77	LJF
	1.8 16V XR3i	02.92 - 12.92	77	RDA
	1.8 16V XR3i	02.92 - 12.92	96	RQB
Escort V Combi	1.4	07.90 - 09.92	52	F6F/F6G
	1.6	07.90 - 09.92	77	LJF
	1.8 16V	02.92 - 12.92	77	RDA
Escort VI (GAL)	1.4	09.92 - 01.95	52	F6F/F6G
	1.4	01.94 - 01.95	55	FUH
	1.6 i 16V	01.94 - 01.95	65	L1H
	1.6 i 16V	09.92 - 01.95	66	L1E
	1.8 16V XR3i	09.92 - 01.95	96	RQB
	1.8 16V XR3i 4x4	08.93 - 01.95	96	RQB
	1.8 i 16V	09.92 - 01.95	77	RDA
Escort VI Cabrio (ALL)	1.4	12.92 - 04.94	52	F6F/F6G
	1.4 i	07.93 - 01.95	55	F4B
	1.6 16V XR3i	12.92 - 01.95	66	L1E
	1.6 i 16V	02.94 - 01.95	65	L1H
	1.8 16V XR3i	12.92 - 01.95	77	RDA
	1.8 16V XR3i	12.92 - 01.95	96	RQB
Escort VI Combi (GAL)	1.4	09.92 - 01.94	52	F6F/F6G
	1.4	01.94 - 01.95	55	F4B/FUH
	1.6 i 16V	01.94 - 01.95	65	L1H
	1.6 i 16V	09.92 - 01.95	66	L1E
	1.8 i 16V	01.93 - 01.95	77	RDA
	1.8 i 16V	02.93 - 01.95	96	RQB
Escort VI Sedan (GAL)	1.4	08.93 - 01.95	55	F4B/FUH
	1.4	08.93 - 04.94	52	F6F/F6G
	1.6 i 16V	01.94 - 01.95	65	L1H
	1.6 i 16V	08.93 - 01.95	66	L1E/L1K
	1.8 i 16V	08.93 - 01.95	77	RDA
Escort VII	1.3	01.95 - 08.98	44	J6A/J4B
	1.4	01.95 - 10.98	55	F4B
	1.6 16V	01.95 - 10.98	66	L1E
	1.6 16V 4x4	01.95 - 10.98	66	L1E
	1.6 i 16V	01.95 - 08.95	65	L1H
	1.8 16V	01.95 - 08.95	77	RDA

CL400				
FORD				
Escort VII	1.8 16V	01.95 - 10.98	85	RKC
Escort VII Cabrio (ALL)	1.4	02.95 - 08.98	55	F4B
	1.6 16V XR3i	02.95 - 12.96	65	L1H
	1.6 16V XR3i	02.95 - 09.99	66	L1E
	1.8 16V XR3i	02.95 - 08.98	77	RDA
	1.8 16V XR3i	10.95 - 08.98	85	RKC
Escort VII Combi	1.3	01.95 - 08.98	44	J6A/J4B
	1.4	01.95 - 02.99	55	F4B/FUH
	1.6 16V	01.95 - 02.99	66	L1E
	1.6 i 16V	01.95 - 08.95	65	L1H
	1.8 16V	01.95 - 08.95	77	RDA
	1.8 16V	01.95 - 02.99	85	RKC
Escort VII Sedan	1.3	01.95 - 08.98	44	J6A/J4B
	1.4	01.95 - 02.99	55	F4B/FUH
	1.6 i 16V	01.95 - 08.95	65	L1H
	1.6 i 16V	01.95 - 02.99	66	L1E/L1K
	1.8 16V	01.95 - 08.95	77	RDA
	1.8 16V	01.95 - 02.99	85	RKC
Fiesta III (GFJ)	1.1	03.89 - 12.95	37	G6A
	1.1	03.89 - 12.95	40	GUD/GUE
	1.3	03.89 - 12.92	44	JBC
	1.3 cat	05.91 - 01.97	44	J6B
	1.4	03.89 - 12.95	52	F6E
	1.4	03.89 - 12.95	54	FUG/FUJ
	1.4 cat	03.89 - 12.95	54	F4A
	1.6	01.89 - 01.94	65	LUH
	1.6 Turbo	03.90 - 10.92	96	LHA
	1.6 XR2i	03.89 - 03.93	76	LJD
	1.6 i 16V	01.94 - 12.95	65	L1G
	1.8 XR2i 16V	02.92 - 12.95	96	RQC
Fiesta IV (JA_, JB_)	1.25 i 16V	08.95 - 04.98	55	DHG/-B/-C/-E/-F/-A/-D
	1.3 i	08.95 - 08.98	37	JJA/JJE/JJM/JJC/JJJ/JJK
	1.3 i	08.95 - 08.98	44	J4R/J4C/J4L/J4J/J4Q/J4T
	1.4 i 16V	04.96 - 04.98	66	FHE/FHA
Fiesta Van (F3L, F5L)	1.3	09.91 - 02.96	44	J6B
Fiesta Van (J5_, J3_)	1.3	02.96 - 08.98	44	J4C
	1.4 i	04.96 - 10.99	66	FHA
Ka (RB_)	1.3 i	06.98 -	36	JJH/JJD/JJF/JJG/JJL
	1.3 i	09.96 - 08.98	44	J4S/-K/-M/-P/-N/-D/BAA
Mondeo I (GBP)	1.6 i 16V	07.94 - 08.96	65	L1J
	1.6 i 16V	02.93 - 08.96	66	L1F
	1.8 i 16V	07.94 - 08.96	82	RKB
	1.8 i 16V	02.93 - 08.96	85	RKA
	1.8 i 16V 4x4	02.93 - 08.96	85	RKA
	2.0 i 16V	12.94 - 08.96	97	
	2.0 i 16V	02.93 - 08.96	100	NGA
	2.0 i 16V 4x4	12.94 - 08.96	97	NGA
Mondeo I Combi (BNP)	1.6 i 16V	07.94 - 08.96	65	L1J
	1.6 i 16V	04.93 - 08.96	66	L1F
	1.8 i 16V	07.94 - 08.96	82	RKB
	1.8 i 16V	04.93 - 08.96	85	RKA
	1.8 i 16V 4x4	04.93 - 08.96	85	RKA
	2.0 i 16V	01.93 - 08.96	97	
	2.0 i 16V	04.93 - 08.96	100	NGA
	2.0 i 16V 4x4	12.94 - 08.96	97	NGA
	2.0 i 16V 4x4	04.93 - 08.96	100	NGA
Mondeo I Sedan (GBP)	1.6 i 16V	07.94 - 08.96	65	L1J
	1.6 i 16V	02.93 - 08.96	66	L1F
	1.8 i 16V	01.94 - 08.96	82	RKB
	1.8 i 16V	02.93 - 08.96	85	RKA



CL400				
FORD				
Mondeo I Sedan (GBP)	2.0 i 16V	02.93 - 08.96	100	NGA
	2.0 i 16V 4x4	12.94 - 08.96	97	NGA
Mondeo II (BAP)	1.6 i	09.96 - 08.98	66	L1J
	1.8 i	09.96 - 08.98	85	RKK/RKJ/RKB/RKF/RKH
	2.0 i	09.96 - 08.98	96	NGA/NGB/NGD/NGC
Mondeo II Combi (BNP)	1.6 i	09.96 - 08.98	66	L1J
	1.8 i	09.96 - 08.98	85	RKK/RKJ/RKB/RKF/RKH
	2.0 i	09.96 - 08.98	96	NGA/NGB/NGD/NGC
Mondeo II Sedan (BFP)	1.6 i	09.96 - 08.98	66	L1J
	1.8 i	09.96 - 08.98	85	RKK/RKJ/RKB/RKF/RKH
	2.0 i	09.96 - 08.98	96	NGA/NGB/NGD/NGC
Orion II (AFF)	1.6	12.85 - 07.90	66	LUC
	1.6 i	08.89 - 07.90	75	LJB
	1.6 i cat	03.86 - 07.90	66	L4B
Orion III (GAL)	1.4	07.90 - 12.93	54	FUH
	1.6	07.90 - 12.92	66	LUJ/LUK
	1.6 i	07.90 - 09.92	77	LJF
Puma (EC_)	1.4 16V	11.97 - 04.98	66	FHD/FHF
	1.7 16V	03.97 - 04.98	92	MHB/MHA
Sierra (GBG, GB4)	1.6 i	10.89 - 02.93	59	L6B
	1.8	05.88 - 02.93	64	R2C/R6A
Sierra Hatchback	1.8	05.88 - 02.93	64	R2C/R6A
MAZDA				
626 V (GF)	1.8	05.97 - 12.99	66	
	2.0	05.97 - 10.02	85	F5
626 V Hatchback (GF)	1.8	05.97 - 12.99	66	
	2.0	05.97 - 10.02	85	F5

CL401				
				OEM-No.
				Ford 1067601
				1075786
				1130402
				1317972
				988F 1209 AB
				988F 1209 AC
				988F 12024 AB
				988F 12029 AB
				988F 12029 AC
				988F 12029 AD
98BF 12024 AB				
FORD				
Cougar (EC_)	2.0 16V	08.98 - 12.01	96	EDBB/EDBC/EDBD/EDBA
Escort VII	1.3	09.98 - 10.98	44	J6A/J4B
Escort VII Combi	1.3	09.98 - 10.98	44	J6A/J4B
Escort VII Sedan	1.3	09.98 - 02.99	44	J6A/J4B
Fiesta IV (JA_, JB_)	1.25 i 16V	05.98 - 01.02	55	DHG/-B/-C/-E/-F/-A/-D
	1.3 i	09.98 - 01.02	37	JJA/JJE/JJM/JJC/JJJ/JJK
	1.3 i	09.98 - 01.02	44	J4R/J4C/J4L/J4J/J4Q/J4T
	1.4 i 16V	05.98 - 01.02	66	FHE/FHA
	1.6 16V Sport	02.00 - 01.02	76	L1V/L1T
Fiesta V (JH_, JD_)	1.3	11.01 -	44	BAJA
	1.3	11.01 -	51	A9JA/A9JB
	1.4 16V	11.01 - 01.05	59	FXJB/FXJA
	1.6 16V	11.01 - 01.05	74	FYJA/FYJB
Fiesta Van (J5_, J3_)	1.3	09.98 -	44	J4C
Focus (DAW, DBW)	1.4 16V	10.98 - 11.04	55	FXDA/FXDD/FXDC/FXDB

CL401				
FORD				
Focus (DAW, DBW)	1.6 16V	10.98 - 11.04	74	FYDH/-DA/-DB/-DD/-DC
	1.8 16V	10.98 - 11.04	85	EYDD/-DC/-DE/-DL/-DF
	2.0 16V	10.98 - 11.04	96	EDDC/EDDB/EDDD/EDDF
	2.0 RS	10.02 - 11.04	158	HMDA
	2.0 ST170	03.02 - 11.04	127	ALDA
Focus Combi (DNW)	1.4 16V	02.99 - 11.04	55	FXDA/FXDD/FXDC/FXDB
	1.6 16V	02.99 - 11.04	74	FYDH/-DA/-DB/-DD/-DC
	1.8 16V	02.99 - 11.04	85	EYDD/-DC/-DE/-DL/-DF
	2.0 16V	02.99 - 11.04	96	EDDC/EDDB/EDDD/EDDF
Focus Sedan (DFW)	1.4 16V	02.99 - 11.04	55	FXDA/FXDD/FXDC/FXDB
	1.6 16V	02.99 - 11.04	74	FYDH/-DA/-DB/-DD/-DC
	1.8 16V	02.99 - 11.04	85	EYDD/-DC/-DE/-DL/-DF
	2.0 16V	02.99 - 11.04	96	EDDC/EDDB/EDDD/EDDF
Fusion (JU_)	1.4	08.02 - 01.05	59	FXJB/FXJA
	1.6	08.02 - 01.05	74	FYJA/FYJB
Ka (RB_)	1.3 i	09.96 - 10.02	37	JJB
	1.3 i	09.98 -	44	J4S/-K/-M/-P/-N/-D/BAA
Maverick	2.0 16V	02.01 -	91	YF
Mondeo II (BAP)	1.6 i	09.98 - 11.00	66	L1J
	1.6 i 16V	05.98 - 11.00	70	L1N/L1L/L1Q
	1.8 i	09.98 - 11.00	85	RKK/RKJ/RKB/RKF/RKH
	2.0 i	09.98 - 11.00	96	NGA/NGB/NGD/NGC
Mondeo II Combi (BNP)	1.6 i	09.98 - 11.00	66	L1J
	1.6 i 16V	05.98 - 11.00	70	L1N/L1L/L1Q
	1.8 i	09.98 - 11.00	85	RKK/RKJ/RKB/RKF/RKH
	2.0 i	09.98 - 11.00	96	NGA/NGB/NGD/NGC
Mondeo II Sedan (BFP)	1.6 i	09.98 - 11.00	66	L1J
	1.6 i 16V	05.98 - 11.00	70	L1N/L1L/L1Q
	1.8 i	09.98 - 11.00	85	RKK/RKJ/RKB/RKF/RKH
	2.0 i	09.98 - 11.00	96	NGA/NGB/NGD/NGC
Puma (EC_)	1.4 16V	05.98 - 10.00	66	FHD/FHF
	1.6 16V	08.00 -	76	L1W
	1.7 16V	05.98 -	92	MHB/MHA
Street Ka	1.6	05.03 - 07.05	70	CDRA/CDRB
MAZDA				
121 III (JASM, JB5M)	1.25	03.96 -	55	DHG/DHF
Tribute (EP)	2.0	03.00 -	91	
	2.0 4WD	03.00 -	91	

CL402				
				OEM-No.
				Ford 7053859
				95WF 12029 BA
2 coils per vehicle				
FORD				
Galaxy (WGR)	2.0 i	11.95 - 05.06	85	NSE/ZVSA
Granada (GU)	2.0	08.77 - 08.85	66	NYP
	2.0	08.79 - 08.85	74	NEP

CL402

FORD

Granada Combi (GNU)	2.0	08.77 - 06.85	66	NYP
	2.0	08.79 - 08.85	74	NEP
	2.0	08.81 - 08.85	77	NEK
Scorpio I (GAE, GGE)	2.0	04.85 - 08.89	77	N8D/NEL
	2.0i	10.85 - 12.90	74	NRC
	2.0i	04.85 - 02.92	85	NRI/NRA
Scorpio II (GFR, GGR)	2.0i	10.94 - 08.98	85	NSD
Scorpio II Combi	2.0i	10.94 - 08.98	85	NSD
Transit Bus (E_ _)	2.0	09.95 - 03.00	84	NSF/NSG
Transit Flatbed (E_ _)	2.0	08.94 - 03.00	84	NSF/NSG
Transit Van (E_ _)	2.0	06.94 - 03.00	84	NSF/NSG

CL403



OEM-No.
Ford 1350562
1459278
4M5G 12029 ZA
4M5G 12029 ZB
Volvo 30731416
30731419
31216444
31216444 AA

FORD

Fiesta V (JH_ JD_)	1.25 16V	03.03 -	51	M7JA/M7JB
	1.25 16V	05.02 -	55	FUJA/FUJB
	1.4 16V	02.05 -	59	FXJB/FXJA
	1.6 16V	02.05 -	74	FYJA/FYJB
Focus C-MAX	1.6	10.03 - 03.07	74	HWDB/HWDA
	1.6Ti	08.04 - 03.07	85	SIDA/HXDA
Focus II (DA_)	1.4	11.04 -	59	ASDB/ASDA
	1.6	11.04 -	74	SHDA/HWDB/HWDA
	1.6Ti	11.04 -	85	HXDB/HXDA
Focus II Sedan (DA_)	1.4	04.05 -	59	ASDB/ASDA
	1.6	04.05 -	74	SHDA/HWDB/HWDA
	1.6Ti	04.05 -	85	HXDB/HXDA
Focus II Turnier (DAW_)	1.4	11.04 -	59	ASDB/ASDA
	1.6	11.04 -	74	SHDA/HWDB/HWDA
	1.6Ti	11.04 -	85	HXDB/HXDA
Fusion (JU_)	1.25	08.04 -	55	FUJA/FUJB
	1.4	02.05 -	59	FXJB/FXJA
	1.6	02.05 -	74	FYJA/FYJB

VOLVO

C30	1.6	10.06 -	74	B 4164 S3
S40 II (MS)	1.6	01.05 -	74	B 4164 S3
V50 (MW)	1.6	01.05 -	74	B 4164 S3

CL404



OEM-No.
Ford 6485687
6485688
91XF 12029 AA
91XF 12029 BA

2 coils and ignition lead set T471G

FORD

Escort V (GAL)	2.0 RS	05.91 - 12.92	110	N7A
Escort VI (GAL)	2.0 RS	09.92 - 01.95	110	N7A
	2.0 RS 4x4	08.93 - 01.95	110	N7A
Escort VII	2.0 RS	02.95 - 02.98	110	N7A
	2.0 RS 4x4	02.95 - 10.98	110	N7A
Galaxy (WGR)	2.3 16V	01.97 - 05.06	107	Y5B/E5SA
Scorpio II (GFR, GGR)	2.0i 16V	10.94 - 08.98	100	N3A
	2.3i 16V	06.96 - 08.98	108	Y5A
Scorpio II Combi	2.0i 16V	10.94 - 08.98	100	N3A
	2.3i 16V	06.96 - 08.98	108	Y5A
Transit Bus	2.3 16V RWD	08.00 - 05.06	107	E5FC/E5FA
Transit Flatbed	2.3 16V	04.01 - 05.06	107	E5FC/E5FA
Transit Van (FA_ _)	2.3 16V RWD	04.01 - 05.06	107	E5FC/E5FA

CL405



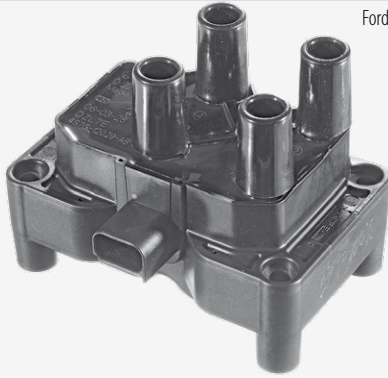
OEM-No.
Ford 1224925
1314271
1322402
1578771
4M5G 12A366 BA
4M5G 12A366 BB
4M5G 12A366 BC
4M5G 12A366 BD

1 coil per cylinder

FORD

Focus C-MAX	1.8	10.03 - 03.07	88	CSDB/CSDA
	1.8	04.04 - 03.07	92	QQDA/QQDB/Q7DA
	1.8 Flexifuel	01.06 - 03.07	92	Q7DA
	2.0	04.04 - 03.07	107	AODA/AODB/SYDA
Focus II (DA_)	1.8 Flexifuel	01.06 -	92	Q7DA
	2.0	11.04 -	107	AODA/AODB
Focus II Sedan (DA_)	1.8 Flexifuel	06.06 -	92	Q7DA
Focus II Turnier (DAW_)	2.0	11.04 -	107	AODA/AODB

CL406



OEM-No.
Ford 1350567
1458400
457G 12029 AA
457G 12029 AB

FORD

Fiesta V (JH_, JD_)	2.0 ST150	03.05 -	110	N4JB
Mondeo III (B5Y)	1.8 16V	03.05 - 08.07	81	CGBB/CGBA
	1.8 16V	03.05 - 08.07	92	CHBA/CHBB
	2.0 16V	03.05 - 08.07	107	CJBA/CJBB
Mondeo III Combi (BWY)	1.8 16V	03.05 - 08.07	81	CGBB/CGBA
	1.8 16V	03.05 - 08.07	92	CHBA/CHBB
	2.0 16V	03.05 - 08.07	107	CJBA/CJBB
Mondeo III Sedan (B4Y)	1.8 16V	03.05 - 08.07	81	CGBB/CGBA
	1.8 16V	03.05 - 08.07	92	CHBA/CHBB
	2.0 16V	03.05 - 08.07	107	CJBA/CJBB

CL407



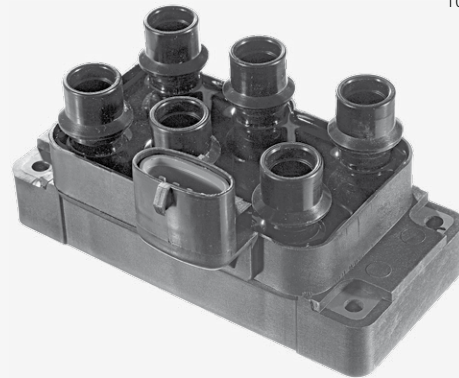
OEM-No.
Ford 1223293
1360553
257G 12029 AB
257G 12029 AC
257G 12029 AD

1 coil per cylinder

FORD

Mondeo III (B5Y)	1.8 SCi	06.03 - 08.07	96	CFBA
Mondeo III Combi (BWY)	1.8 SCi	06.03 - 08.07	96	CFBA
Mondeo III Sedan (B4Y)	1.8 SCi	06.03 - 08.07	96	CFBA

CL408

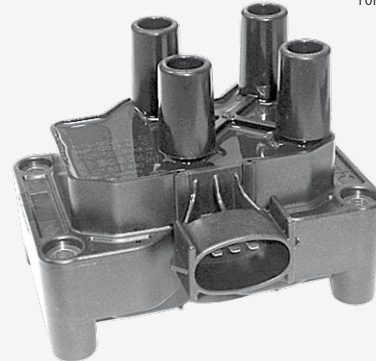


OEM-No.
Ford 19017114
6489415
6630365
6958305
919F 12029 AA
E95F 12029 AA
E95Z 12029 A
F15U 12029 AA
F55U 12029 AA
F55Z12029A

FORD

Cougar (EC_)	2.5 V6 24V	06.00 - 12.01	125	LCBC/LCBB/LCBE
	2.5 V6 24V	08.98 - 12.01	125	LCBA
Mondeo I (GBP)	2.5 i 24V	07.94 - 08.96	125	SEA
Mondeo I Combi (BNP)	2.5 i 24V	07.94 - 08.96	125	SEA
Mondeo I Sedan (GBP)	2.5 i 24V	07.94 - 08.96	125	SEA
Mondeo II (BAP)	2.5 24V	09.96 - 11.00	125	SEA
Mondeo II Combi (BNP)	2.5 24V	09.96 - 11.00	125	SEA
Mondeo II Sedan (BFP)	2.5 24V	09.96 - 11.00	125	SEA
Scorpio I (GAE, GGE)	2.9 i 24V	04.91 - 09.94	143	BOA
Scorpio I Combi (GGE)	2.9 i 24V	08.93 - 09.94	143	BOA
Scorpio I Sedan (GGE)	2.9 i 24V	04.91 - 09.94	143	BOA

CL409



OEM-No.
Ford 1119835
1319788
157G 12029 AB
157G 12029 AC

FORD

Mondeo III (B5Y)	1.8 16V	11.00 - 02.05	81	CGBB/CGBA
	1.8 16V	11.00 - 02.05	92	CHBA/CHBB
	2.0 16V	11.00 - 02.05	107	CJBA/CJBB
Mondeo III Combi (BWY)	1.8 16V	11.00 - 02.05	81	CGBB/CGBA
	1.8 16V	11.00 - 02.05	92	CHBA/CHBB
	2.0 16V	11.00 - 02.05	107	CJBA/CJBB
Mondeo III Sedan (B4Y)	1.8 16V	11.00 - 02.05	81	CGBB/CGBA
	1.8 16V	11.00 - 02.05	92	CHBA/CHBB
	2.0 16V	11.00 - 02.05	107	CJBA/CJBB

CL500



OEM-No.
Honda 30500-PM5-A02
30500-PM5-A03
Rover GCL 161

ACURA

Integra	1.6	01.85 - 12.90	74
	1.6 i	01.85 - 12.90	88
Integra Coupe	1.6	01.85 - 12.90	74
	1.6 i	01.85 - 12.90	88
Integra Sedan	1.6	01.85 - 12.90	74
	1.6 i	01.85 - 12.90	88

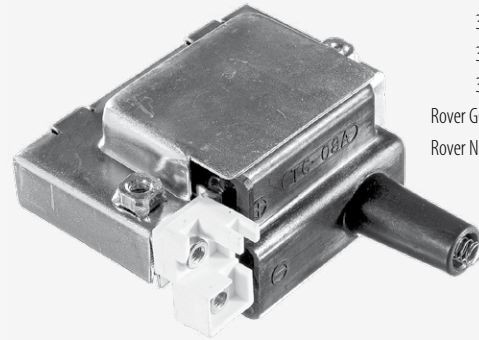
HONDA

Civic II	1.5 GL	10.83 - 10.87	63	EW2
	1.5 GTI	03.86 - 10.87	66	EW4
Civic II Hatchback	1.5 GL	10.83 - 10.87	63	EW2
Civic II Shuttle (EE)	1.5 i 16V	01.88 - 11.91	69	D15B2
	1.6 i 16V 4WD	01.88 - 12.89	80	D16A6
	1.6 i 16V 4WD	01.88 - 02.95	81	D16A6
Civic III Hatchback	1.6 i 16V	10.87 - 09.91	80	D16A6
	1.6 i 16V	10.87 - 09.91	81	D16Z2
	1.6 i 16V Vtec	10.89 - 09.91	110	B16A1
Civic III Sedan (ED)	1.5 i 16V	10.87 - 09.91	66	D15B2
	1.5 i 16V	10.87 - 09.91	69	D15B2
	1.6 i 16V	11.87 - 09.91	80	D16A6
	1.6 i 16V	10.87 - 09.91	81	D16Z2
	1.6 i 16V	09.87 - 09.91	96	D16A7
	1.6 i 16V 4x4	10.89 - 09.91	80	D16A6
Concerto (HW)	1.5 i 16V	08.89 - 03.95	66	D15B2
	1.6 16V	08.89 - 03.95	78	D16Z2
	1.6 i 16V	08.89 - 03.95	82	D16Z2
	1.6 i 16V	08.89 - 03.95	90	D16A8
Concerto Sedan (HWW)	1.5 i 16V	08.89 - 05.95	66	D15B2
	1.6 16V	08.89 - 03.95	78	D16Z2
	1.6 i 16V	08.89 - 03.95	82	D16Z2
	1.6 i 16V	08.89 - 03.95	90	D16A8
CRX II (ED, EE)	1.6 i 16V	10.87 - 02.92	91	D16Z5
	1.6 i 16V	10.87 - 12.89	96	D16A8/D16A9
	1.6 i 16V Vtec	10.89 - 02.92	110	B16A1

ROVER

216 Cabrio (XW)	1.6i	01.92 - 11.99	90	D 16 A8
216 Coupe (XW)	1.6	10.92 - 06.99	90	D 16 A8
216 Gsi Hatchback (XW)	1.6	10.89 - 10.95	82	D 16 Z2
216 GTi Hatchback (XW)	1.6	09.90 - 10.95	90	D 16 A8
416 GSi (XW)	1.6	04.90 - 04.95	82	D 16 Z2
416 GTi (XW)	1.6	04.90 - 04.95	90	D 16 A8

CL501



OEM-No.
Honda 30500 PTZ 005
30510-P73-A01
30510-P73-A02
30510-PTZ-006
Rover GCL 195
Rover NEC 100530

HONDA

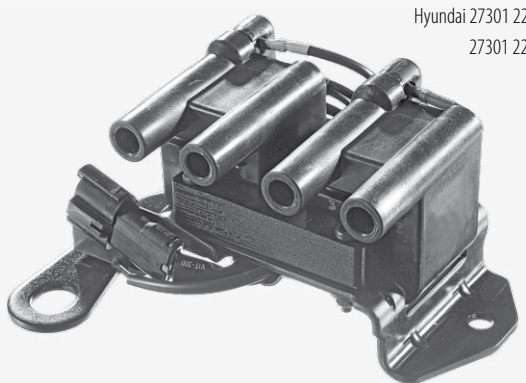
Accord IV (CB3, CB7)	2.0 16V	01.90 - 03.93	81	F20A3/F20A2
	2.0 i 16V	01.90 - 03.93	98	F20A4/F20A8
	2.2 i 16V	01.90 - 03.93	110	F22A3
Accord IV Aerodeck	2.2 i 16V Aut.	01.90 - 03.93	108	F22A3
	2.0 i 16V	03.93 - 12.93	98	F20Z3
	2.2 i 16V	01.91 - 12.93	108	F22A8
Accord IV Coupe (CC1)	2.0 i 16V	01.92 - 09.93	98	F20A7
	2.0 i	03.93 - 01.96	85	F20Z2
	2.0 i S	03.93 - 01.96	96	F20Z1
Accord V (CC7)	2.3 i SR	03.93 - 01.96	116	H23A3
	2.0 i LS 16V	09.93 - 02.98	100	F20B3
	2.2 i ES	09.93 - 02.98	110	F22B5
Accord V Aerodeck (CE)	2.0 i ES	09.93 - 02.98	110	F22B5
	2.0	09.93 - 12.97	100	F20B3
Accord V Coupe	2.2 i ES	09.93 - 02.98	110	F22B5
	2.0 i LS	02.96 - 10.98	96	F20Z1
Accord VII (CE, CF)	2.2 Type-R	02.99 - 12.02	156	H22A7
Accord VIII (CG)	1.5 i 16V	10.91 - 11.95	69	D15Z1/D15B2
	1.6 16V Vtec	10.91 - 11.95	92	D16Z6/D16Z7
Civic IV (EG, EH)	1.5 i Lsi	01.94 - 11.95	74	D15B7
	1.6 i	01.94 - 11.95	77	D16Y7
	1.6 i Vtec	01.94 - 03.96	92	D16Y6/D16Z9
	1.6 i Vtec	01.94 - 11.95	118	B16A2
Civic IV Coupe (EJ)	1.5 i Vtec-E	09.94 - 01.97	66	D15Z3
	1.6 i	09.94 - 01.97	83	D16Y3
Civic IV Fastback	1.5 i 16V	10.91 - 11.95	66	D15B2/D15Z2
	1.5 i 16V	10.91 - 11.95	69	D15Z1/D15B2
	1.6 16V Vtec	10.91 - 11.95	92	D16Z6
	1.6 VTi 16V	10.91 - 11.95	118	B16A2
Civic IV Hatchback (EG)	1.4 i	11.95 - 02.01	66	D14A4/D14Z2
	1.5 i	11.95 - 02.01	84	D15Z6
	1.6 Vti	11.95 - 02.01	118	B16A2
Civic V (EJ9, EK3/4)	1.6 i Vtec	03.96 - 03.00	77	D16Y7
	1.6 i Vtec	03.96 - 03.00	92	D16Y8
	1.6 i Vtec	04.99 - 12.00	118	B16A2
Civic V Coupe	1.5 16V	01.97 - 02.01	84	D15Z8
	1.6 VTi	01.97 - 02.01	118	B16A2
Civic V Fastback (MB)	1.4 i	11.95 - 02.01	55	D14Z1/D14A3
	1.4 i S	11.95 - 02.01	66	D14A4/D14Z2
	1.5 i	11.95 - 02.01	84	D15Z6
Civic V Hatchback	1.6 Vti	11.95 - 02.01	118	B16A2
	2.0 16V	10.95 - 01.99	94	B20B
	2.0 16V	01.99 - 02.02	108	B20Z1
CR-V I (RD)	1.6 EsI	03.92 - 12.98	92	D16Y8/D16Z6
	1.6 i VTi	03.92 - 12.98	118	B16A2
CRX III (EH, EG)	1.6 16V	03.99 -	77	D16W1



CL501				
HONDA				
HR-V (GH)	1.6 16V 4WD	03.99 -	77	D16W1
	1.6 16V 4WD	10.99 -	91	D16W5
Integra (DC2)	1.8 Type-R	11.97 - 10.01	140	B18C6
Logo (GA3)	1.3	03.99 - 03.02	48	D13B7
Prelude IV (BB)	2.0 i 16V	02.92 - 09.96	98	F20A4
	2.2 i 16V Vtec	02.93 - 09.96	136	H22A2
	2.3 i 16V	02.92 - 09.96	118	H23A2
Prelude V (BB)	2.0 16V	10.96 - 10.00	98	F20A4
	2.2 16V	10.96 - 10.00	136	H22A5
Shuttle (RA)	2.2 16V	10.94 - 02.98	110	F22B8

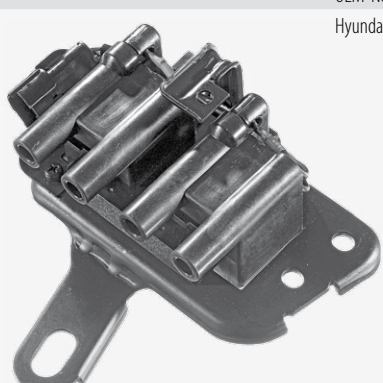
ROVER				
620 i (RH)	2.0	08.93 - 06.96	85	F 20 Z2
620 Si (RH)	2.0	08.93 - 02.99	96	F 20 Z1
623 Si (RH)	2.3	08.93 - 02.99	116	H 23 A3

CL502				
				OEM-No.
				Hyundai 27301 22040
				27301 22050



HYUNDAI				
Accent (X-3)	1.3	10.94 - 01.00	44	G4EH
	1.3	10.94 - 01.00	55	G4EH
	1.3 i 12V	10.94 - 01.00	62	G4EH
	1.5 i 12V	10.94 - 01.00	65	G4EK
Accent Sedan (X-3)	1.3	10.94 - 01.00	44	G4EH
	1.3	10.94 - 01.00	55	G4EH
	1.3 i 12V	10.94 - 01.00	62	G4EH
	1.5 i 12V	10.94 - 01.00	65	G4EK
Lantra II (J-2)	1.5 12V	12.96 - 09.00	65	G4EK
Lantra II Wagon (J2)	1.5 12V	04.97 -	65	G4EK

CL503				
				OEM-No.
				Hyundai 27301 23003



HYUNDAI				
Coupe (RD)	1.6 16V	03.98 - 04.02	85	G4GR
	1.6 i 16V	12.96 - 04.02	84	4G61

CL503				
HYUNDAI				
Coupe (RD)	2.0 16V	08.96 - 04.02	102	G4GF
	Lantra II (J-2)	1.6 16V	11.95 - 09.00	84 4G61
		1.6 i	11.95 - 09.00	66 G4GR
		1.8 16V	11.95 - 09.00	94 G4GM
Lantra II Wagon (J2)	2.0 16V	08.96 - 09.00	102 G4GF	
	1.6 16V	02.96 -	84 4G61	
	1.6 i	02.96 -	66 G4GR	
	1.8 16V	02.96 -	94 G4GM	
	2.0 16V	12.96 -	102 G4GF	

CL504				
				OEM-No.
				Kia OK201 18 10XB
				OK201 18 10XC



KIA				
Sephia (FA)	1.5 i	02.96 -	59	B5
	1.6 i	01.95 -	59	B6
Sephia Sedan (FA)	1.5 i	02.96 - 10.97	59	B5
	1.6 i	09.93 -	59	B6

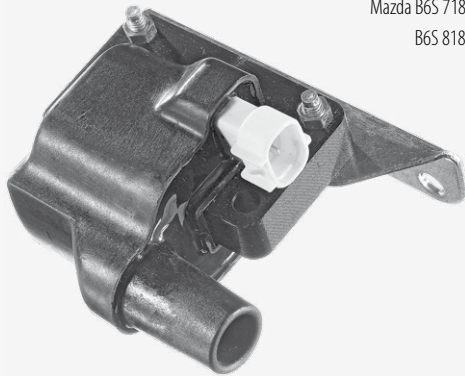
CL505				
				OEM-No.
				Kia OK247 18 100A



2 coils and ignition lead set T508B

KIA				
Carens II (FJ)	1.6	07.02 -	77	
	1.8	07.02 -	93	
Clarus (K9A)	1.8 i 16V	07.96 -	85	T8
Sephia (FA)	1.6 i	01.95 -	59	B6
	1.8 i 16V	01.95 -	82	OK24N/OK26Y
Sephia Sedan (FA)	1.8 i 16V	01.95 -	82	OK24N/OK26Y
Shuma (FB)	1.8 i 16V	10.97 - 03.01	81	

CL506



OEM-No.
Mazda B6S 718 10XA
B6S 818 10XA

1 socket with 2 connectors

MAZDA

323 C IV (BG)	1.3 16V	04.91 - 07.94	54
	1.8 16V 4WD	11.91 - 12.93	76 BP
323 F IV (BG)	1.6	09.89 - 06.91	62 B6E
	1.6 16V	03.91 - 10.94	65 B6
	1.8 16V	08.89 - 07.94	76 BP
	1.8 16V GT	08.89 - 07.94	94 BP (DOHC)
323 S IV (BG)	1.3 16V	04.91 - 07.94	54 B3 (16V)
	1.6	09.89 - 06.91	62 B6E
	1.6 16V	08.89 - 10.94	65 B6
	1.8 16V	08.89 - 07.94	76 BP52
	1.8 16V Turbo 4WD	01.91 - 07.94	120 BP Turbo
MX-3 (EC)	1.6 i	07.91 -	65 B69

CL507



OEM-No.
Mazda B121 18 10X
B541 18 10XA
B542 18 10XA

2 sockets with 2 connectors

MAZDA

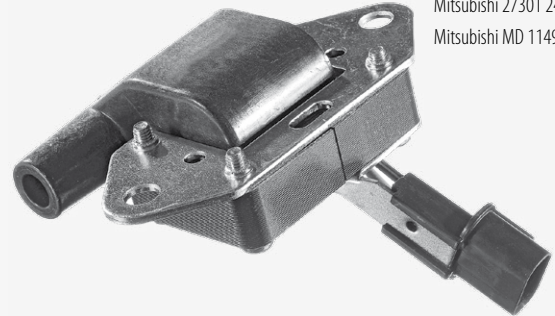
121 I (DA)	1.1	10.87 - 10.90	42 B1/B116
	1.3	04.89 - 10.90	40 B3
	1.3	10.87 - 11.90	44 B3
121 II (DB)	1.3 16V	11.90 - 03.96	39 B3 (16V)
	1.3 16V	11.90 - 03.96	53 B3 (16V)
323 III (BF)	1.4	04.87 - 07.89	44 B3
323 III Hatchback (BF)	1.4	09.87 - 10.89	44 B3
323 III Station Wagon	1.6	09.86 - 10.95	63 B65M / B6E
	1.6 4x4	05.90 - 03.93	63 B65M / B6E
323 C IV (BG)	1.3	09.89 - 07.94	49 B3E
	1.3 16V	09.89 - 07.94	54
	1.6	09.89 - 06.91	62 B6E
	1.6 16V	03.91 - 10.94	65 B6
323 CV (BA)	1.3 16V	08.94 - 09.98	54 B3 (16V)
323 F IV (BG)	1.6	09.89 - 06.91	62 B6E
	1.6 16V	03.91 - 10.94	65 B6
323 S IV (BG)	1.3	09.89 - 06.91	49 B3E/B383

CL507

MAZDA

323 S IV (BG)	1.3 16V	04.91 - 07.94	54 B3 (16V)
	1.6	09.89 - 06.91	62 B6E
	1.6 16V	08.89 - 10.94	65 B6

CL508



OEM-No.
Hyundai 27301 24510
Hyundai 27301 24520
Mitsubishi 27301 24520
Mitsubishi MD 114994

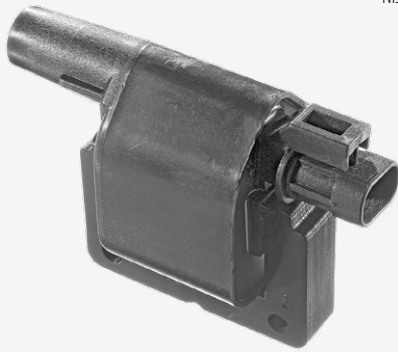
HYUNDAI

Lantra I (J-1)	1.5 i.e.	10.90 - 11.95	63 G15B/G4DJ
Pony (X-2)	1.5 i	10.89 - 01.95	61 G15B/G4DJ
	1.5 i	10.89 - 01.95	62 G15B/G4DJ
Pony/Excel Sedan (X-2)	1.5 i	01.90 - 01.95	61 G15B/G4DJ
	1.5 i	01.90 - 01.95	62 G15B/G4DJ
S Coupe (SLC)	1.5 i	02.90 - 05.96	62 G15B/G4DJ
	1.5 i	04.92 - 05.96	65 G4EK

MITSUBISHI

Colt III (C5_A)	1.5 cat	07.90 - 05.92	66 4 G 15
	1.5 GLXi	04.88 - 05.92	62 4 G 15
Galant III (E1_A)	2.0 Turbo Eci	06.84 - 05.85	110 4 G 63 T
Galant IV (E3_A)	2.0	04.89 - 10.92	80 4G63
	2.0 4x4	04.89 - 10.92	80 4G63
Galant IV Sedan (E3_A)	2.0	11.87 - 10.92	80 4G63
	2.0 4x4	12.88 - 10.92	80 4G63
	2.0 GTi 16V	11.87 - 10.92	106 4 G 63
	2.0 GTi 16V 4x4	06.88 - 10.92	106 4 G 63
Galant IV Sedan	2.0 GTi 16V 4x4 cat	09.91 - 10.92	110 4 G 63
	Lancer III Station Wagon	1.5	09.85 - 12.87
Lancer III Station Wagon	1.5	09.88 - 12.90	61 4 G 15
	1.5 12V	09.90 - 12.91	66 4G15 (12V)
	1.8 4x4	08.90 - 06.92	69 4G37
	Lancer IV (C6_A, C7_A)	1.5	06.88 - 05.92
Lancer IV (C6_A, C7_A)	1.5 12V	05.89 - 05.92	66 4G15 (12V)
	1.8 4x4	09.89 - 06.92	71 4G37
	Lancer IV Sedan (C6_A)	1.5	04.88 - 05.92
Lancer IV Sedan (C6_A)	1.5 12V	05.89 - 05.92	66 4G15 (12V)
Pajero II (V2_W, V4_W)	2.4	04.91 - 04.00	82 4G64
Pajero II Canvas Top	2.4	04.91 - 04.00	82 4G64

CL509



OEM-No.
Nissan 22433-0B000
22433-51J10
22433-53J20
22433-55S10
22433-56E11
22433-56E12

NISSAN

100 NX (B13)	1.6	03.90 - 10.94	66	GA16DS
	1.6 SR	09.93 - 10.94	75	GA16DE
	2.0 GTI	03.91 - 10.94	105	SR20DE
Almera I Hatchback (N15)	1.6 SR,SLX	09.95 - 03.00	66	GA16DE
Maxima (J30)	3.0 i	10.88 - 06.94	125	VG30E
Micra (K10)	1.2	07.86 - 07.92	40	MA12S
Prairie Pro (M11)	2.0 i	10.88 - 04.92	72	CA20E
	2.0 i 4x4	10.88 - 12.92	72	CA20E
	2.4 i	04.92 - 07.94	98	KA24E
	2.4 i 4x4	04.92 - 07.94	98	KA24E
Primera (P10)	1.6	06.90 - 01.96	66	GA16DS
	1.6	06.93 - 01.96	75	GA16DE
	2.0 16V	06.90 - 01.96	85	SR20DI
	2.0 16V 4x4	04.91 - 06.96	85	SR20DI
	2.0 GT	06.90 - 01.96	110	SR20DE
Primera (P11)	1.6 16V	09.96 - 12.01	66	GA16DE
	1.6 16V	09.96 - 10.00	73	GA16DE
Primera Hatchback (P10)	1.6	06.90 - 01.96	66	GA16DS
	2.0 16V	06.90 - 01.96	85	SR20DI
	2.0 16V 4x4	04.91 - 06.96	85	SR20DI
Primera Hatchback (P11)	1.6 16V	09.96 - 07.02	66	GA16DE
	1.6 16V	09.96 - 07.02	73	GA16DE
Primera Traveller (W10)	1.6 i	07.90 - 03.98	66	GA16DS
	1.6 i	03.94 - 03.98	75	GA16DE
	2.0 i	07.90 - 03.98	85	SR20DI
Primera Traveller (WP11)	1.6 16V	04.98 - 12.01	66	GA16DE
	1.6 16V	04.98 - 12.01	73	GA16DE
Serena (C23M)	1.6 16V	02.93 -	71	GA16DE
	2.0 16V	11.92 -	93	SR20DE
Sunny III (N14)	1.4 i	10.90 - 05.95	55	GA14DE /GA14DS
	1.6 i	10.90 - 05.95	66	GA16DE/ -DEL/ -DS
	1.6 i 16V 4WD	10.90 - 05.95	66	GA16DS
Sunny III Hatchback (N14)	1.4 i	10.90 - 05.95	55	GA14DE /GA14DS
	1.6 i	10.90 - 05.95	66	GA16DE/ -DEL/ -DS
	2.0 GTI 16V	10.90 - 05.95	105	SR20DE
	2.0 GTI-R 4x4	10.90 - 05.95	162	SR20DET
Sunny III Liftback (N14)	1.4 i	10.90 - 05.95	55	GA14DE /GA14DS
	1.6 i	10.90 - 05.95	66	GA16DE/ -DEL/ -DS
	2.0 i 16V	10.90 - 05.95	105	SR20DE
Sunny III Traveller (Y10)	1.6 i	06.91 - 03.00	66	GA16DE/GA16DS
Terrano I (WD21)	3.0 i 4WD	01.90 - 12.95	109	VG30E
Terrano II (R20)	2.4 i 12V 4WD	02.93 - 06.96	91	KA24E

CL510



OEM-No.
Nissan 22448-4M500
22488-4M500

1 coil per cylinder

NISSAN

Almera II (N16)	1.5	07.00 -	66	QG15DE
	1.5	10.02 -	72	QG15DE
	1.8	07.00 -	84	QG18DE
	1.8	10.02 -	85	QG18DE
	Almera Tino (V10)	1.8	08.00 -	84
	1.8	12.02 -	85	QG18DE

CL511



OEM-No.
Nissan 22448-6N000
22448-6N002
22448-6N010
22448-6N012
22448-6N015

1 coil per cylinder

NISSAN

Almera II (N16)	1.5	07.00 -	66	QG15DE
	1.5	10.02 -	72	QG15DE
	1.8	07.00 -	84	QG18DE
	1.8	10.02 -	85	QG18DE
Almera II Hatchback (N16)	1.5	10.02 -	72	QG15DE
	1.5	03.00 -	66	QG15DE
	1.8	01.00 -	84	QG18DE
	1.8	10.02 -	85	QG18DE
	Almera Tino (V10)	1.8	08.00 -	84
	1.8	12.02 -	85	QG18DE
Primera (P11)	1.8 16V	08.99 - 12.01	84	QG18DE
Primera Hatchback (P12)	1.8	07.02 -	85	QG18DE
Primera Traveller (WP11)	1.8 16V	08.99 - 12.01	84	QG18DE

CL512

OEM-No.
Suzuki 33410-77E11



1 coil per cylinder

SUZUKI

Baleno (EG)	1.8 GT	03.96 - 05.02	89	J18A
Baleno Combi (EG)	1.8 i 16V	08.96 - 05.02	89	J18A
Baleno Hatchback (EG)	1.8 GT	03.96 - 05.02	89	J18A
Grand Vitara	2.0 Allrad	10.05 -	103	J20A
Vitara (ET, TA)	2.0V6 24V	12.94 - 03.98	100	H 20 A

CL513

OEM-No.
GM 94404545
Toyota 90919-02164



TOYOTA

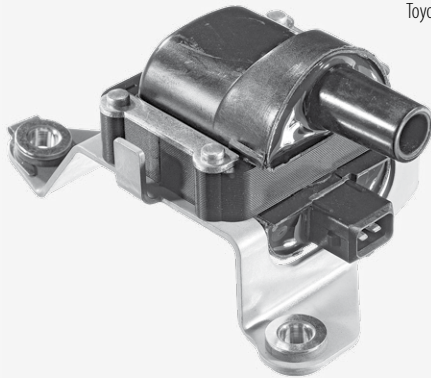
Carina E (_T19_)	1.6	12.93 - 09.97	85	4A-FE
	1.6 GLI	04.92 - 09.97	79	4A-FE
Carina E Sedan (_T19_)	1.6	01.93 - 09.97	79	4A-FE
	1.6 GLI	04.92 - 09.97	79	4A-FE
	1.6 16V	12.94 - 09.97	85	4A-FE
Carina E Sportswagon	1.6 GLI	01.93 - 09.97	79	4A-FE
Carina II (_T17_)	1.6	12.87 - 11.89	66	4A-F
Carina II Sedan (_T17_)	1.6	12.87 - 08.90	66	4A-F
	1.6	12.87 - 03.92	72	4A-FE
	1.6	12.87 - 03.92	75	4A-FE
Carina II Station Wagon	1.6	12.87 - 12.89	66	4A-F
Celica (_T20_)	1.8 i 16V	11.93 - 11.99	85	7A-FE
Celica (ST16_)	1.6	04.86 - 02.90	63	4A-L
Celica Liftback (T16)	1.6	04.86 - 02.90	63	4A-L
Corolla (_E8_)	1.3	10.84 - 08.87	55	2E-LC/2E-L
	1.6	08.85 - 08.87	53	4A-LC
	1.6	12.85 - 05.88	54	4A-LC
	1.6	06.83 - 08.87	62	4A-L
Corolla (_E9_)	1.3 i	08.87 - 12.92	55	2E-E/2E
	1.6	08.87 - 12.89	66	4A-F
Corolla (_E10_)	1.3 12V	07.92 - 04.97	53	2E
	1.3 XLI	09.95 - 04.97	55	4E-FE
	1.3 XLI 16V	07.92 - 09.95	65	4E-FE
	1.6 Si	09.95 - 04.97	84	4A-FE

CL513

TOYOTA

Corolla (_E11_)	1.6 Aut.	04.97 - 02.00	79	4A-FE
Corolla FX Compact (E8B)	1.3	08.85 - 08.87	55	2E-L
Corolla Compact (_E9_)	1.3	08.87 - 12.89	55	2E
	1.3 i	06.89 - 04.92	55	2E-E
	1.6	08.87 - 04.92	66	4A-F
Corolla Compact (_E10_)	1.3 12V	07.92 - 05.95	53	2E
	1.3 XLI	09.95 - 04.97	55	4E-FE
	1.3 XLI 16V	07.92 - 09.95	65	4E-FE
	1.6 Si	07.92 - 04.97	84	4A-FE
	1.8 GT	11.92 - 05.95	86	7A-FE
Corolla Liftback (_E8_)	1.3	01.85 - 08.87	55	2E-LC/2E-L
	1.6	08.85 - 08.87	54	4A-LC
	1.6	06.83 - 08.87	62	4A-L
Corolla Liftback (_E9_)	1.6	07.85 - 05.88	63	4A-L
	1.3 i	08.87 - 04.92	55	2E-E/2E
	1.6	08.87 - 04.92	66	4A-F
Corolla Liftback (_E10_)	1.3 12V	07.92 - 05.95	53	2E
	1.3 XLI	07.92 - 04.97	65	4E-FE
	1.6 GLI	07.92 - 04.97	84	4A-FE
	1.8 GT	11.92 - 05.95	86	7A-FE
Corolla Liftback (_E11_)	1.6	04.97 - 02.00	81	4A-FE
	1.6 Aut.	04.97 - 02.00	79	4A-FE
Corolla Stat. Wagon (_E9_)	1.3	12.87 - 12.89	55	2E
	1.3 i	06.89 - 06.92	55	2E-E
	1.6	02.88 - 05.92	66	4A-F
	1.6	12.87 - 04.92	70	4A-F
Corolla Wagon (_E10_)	1.3 12V	07.92 - 05.95	53	2E
	1.3 XLI	09.95 - 04.97	55	4E-FE
	1.3 XLI 16V	07.92 - 09.95	65	4E-FE
	1.6 Si	07.92 - 04.97	84	4A-FE
Hiace III Van (_H10_)	1.8 16V 4WD	09.95 - 04.97	81	7A-FE
	2.0	02.90 - 08.95	74	1RZ
	2.4	08.89 - 08.95	88	2RZ-E
Hiace III Wagon (_H10_)	2.4 4WD	08.89 - 08.95	88	2RZ-E
	2.0	08.89 - 08.95	74	1RZ
Hiace IV Van (_H1_, _H2_)	2.4	08.89 - 08.95	88	2RZ-E
	2.4 4WD	08.89 - 08.95	88	2RZ-E
	2.4	08.95 - 04.98	85	2RZ-E
Hiace IV Wagon	2.4 4WD	08.95 - 04.98	85	2RZ-E
	2.4	08.95 - 04.98	85	2RZ-E
Paseo Coupe (EL54)	1.5 16V	08.95 - 07.99	66	5E-FE
RAV 4 I (SXA1_)	2.0 16V	06.94 - 06.00	95	3S-FE
Starlet (_P7_)	1.3	10.84 - 12.89	55	2E-LC
Starlet (_P8_)	1.3 12V	12.89 - 12.92	55	2E-E/2E
	1.3 12V	12.89 - 03.96	55	2E-E
Starlet (EP91)	1.3	04.96 - 03.99	55	4E-FE

CL514



OEM-No.
Toyota 90080-19005
90080-19005 00

TOYOTA

Avenis (_T22_)	1.6	09.97 - 10.00	74	4A-FE
	1.6	09.97 - 10.00	81	4A-FE
Avenis Liftback (_T22_)	1.6	09.97 - 10.00	74	4A-FE
	1.6	09.97 - 10.00	81	4A-FE
Avenis Station Wagon	1.6	09.97 - 10.00	74	4A-FE
	1.6	09.97 - 10.00	81	4A-FE
Carina E (_T19_)	1.6	12.93 - 09.97	73	4A-FE
	1.6	12.93 - 09.97	85	4A-FE
	1.6 16V	10.95 - 09.97	78	4A-FE
	1.6 GLI	04.92 - 09.97	79	4A-FE
	1.6	01.95 - 09.97	73	4A-FE
Carina E Sedan (_T19_)	1.6	10.95 - 09.97	78	4A-FE
	1.6	01.93 - 09.97	79	4A-FE
	1.6 16V	12.94 - 09.97	85	4A-FE
	1.6 GLI	04.92 - 09.97	79	4A-FE
	1.6 i	02.95 - 09.97	73	4A-FE

CL515



OEM-No.
Hyundai 27301 38020
Kia OK566 18 100
Kia 27301-37410

2 coils and ignition lead set T745B

HYUNDAI

Santa Fé (SM)	2.0	08.01 -	99	G4BP
	2.4 16V	02.01 -	100	G4JS-G
	2.4 16V	02.01 -	107	G4JS-G
	2.4 16V 4x4	02.01 -	100	G4JS-G
	2.4 16V 4x4	02.01 -	107	G4JS-G
Sonata III (EF)	2.0 16V	06.98 - 10.01	100	G4JP-G
Sonata IV (EU4)	2.0	10.01 - 11.04	96	G4JP-EG
Starex (H1)	2.4	06.97 -	82	G4CS
	2.4 4WD	02.98 -	82	G4CS
Trajet (FO)	2.0	03.00 -	100	G4JP-G
	2.0	01.04 -	103	G4GC-G
Tucson (JM)	2.0	08.04 -	104	G4GC
	2.0 Allrad	08.04 -	104	G4GC

CL515

KIA

Magentis (GD)	2.0	05.01 -	100	
Sorento (JC)	2.4	08.02 -	102	G4JS

CL519

OEM-No.
Hyundai 27301 02502



HYUNDAI

Atos (MX)	1.0i	02.98 - 08.00	40	G4HC
Atos Prime (MX)	1.0i	08.99 - 08.00	40	G4HC

CL520

OEM-No.
Toyota 90080-19021
90919-02240
90919-T2003



1 coil per cylinder

TOYOTA

Prius Liftback	1.5	08.03 -	57	1NZ-FXE
Prius Sedan (NHW11_)	1.5	05.00 - 01.04	53	1NZ-FXE
Yaris (_CP10)	1.0 16V	03.03 -	48	1SZ-FE
	1.3 16V	11.99 -	63	2NZ-FE
Yaris	1.3 VVT-i	01.06 -	64	2SZ-FE
Yaris Verso (NC/LP2_)	1.3	01.03 -	62	2NZ-FE
	1.3	11.99 -	63	2NZ-FE
	1.5	05.03 -	77	1NZ-FE
	1.5	03.00 -	78	1NZ-FE

CL521

OEM-No.
Nissan 22448-1F700



1 coil per cylinder

NISSAN

Micra (K11)	1.0 i 16V	08.92 - 09.00	40	CG10DE
	1.0 i 16V	09.00 - 02.03	44	CG10DE
	1.4 i 16V	09.00 - 02.03	60	CGA3DE

CL522

OEM-No.
Honda 30520-PDF-E11



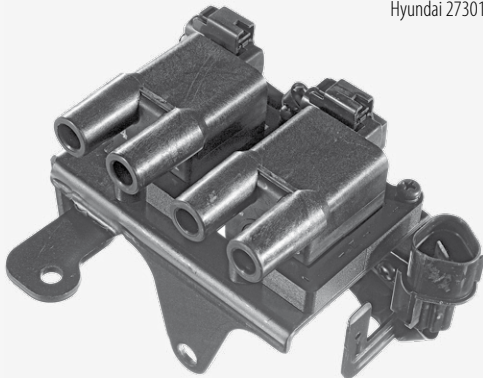
1 coil per cylinder

HONDA

Accord VII (CG)	1.6 i	10.98 - 12.02	85	D16B6
-----------------	-------	---------------	----	-------

CL523

OEM-No.
Hyundai 27301 02600



HYUNDAI

Atos (MX)	1.0 i	08.00 - 03.02	40	G4HC
	1.0 i	03.01 -	43	G4HC-E
Atos Prime (MX)	1.0 i	08.00 -	40	G4HC
	1.0 i	03.01 -	43	G4HC-E

CL524

OEM-No.
Hyundai 27301 22600



HYUNDAI

Accent (LC)	1.3	01.00 -	63	G4E-A
Getz (TB)	1.3	09.02 -	60	G4E-A

CL525

OEM-No.
Hyundai 27301 32800
27301 32810
27301 32820
Mitsubishi MD 104696



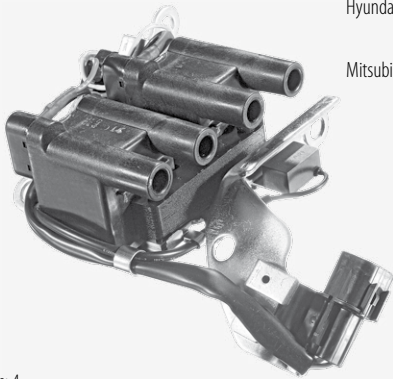
HYUNDAI

H-1 Starex (KMF)	2.4	10.97 -	82	G4CS
	2.4 4WD	10.97 -	82	G4CS
H-1 Van	2.4	03.00 -	82	G4CS
H100 Bus (P)	2.4	01.97 - 03.00	84	G4CS
	2.4	07.93 - 03.00	90	G4CS
Sonata I (Y-2)	2.0 i 16V	01.91 - 10.93	96	G4CP-D
Sonata II (Y-3)	2.0 i	06.94 - 08.96	77	G4CP
	2.0 i 16V	06.96 - 06.98	92	G4CP-DM
Starex (H1)	2.4	06.97 -	82	G4CS
	2.4 4WD	02.98 -	82	G4CS

MITSUBISHI

Galant IV (E3_A)	2.0	04.89 - 10.92	80	4G63
	2.0 4x4	04.89 - 10.92	80	4G63
Galant IV Sedan (E3_A)	2.0	11.87 - 10.92	80	4G63
	2.0 4x4	12.88 - 10.92	80	4G63
Sapporo III (E16A)	2.4	06.87 - 08.90	91	4G64

CL526



OEM-No.
Hyundai 27301 33010
27301 33020
Mitsubishi MD 126461

number of connectors: 4

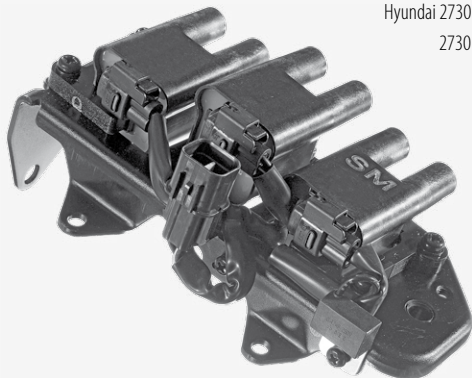
HYUNDAI

Lantra I (J-1)	1.6 i.e. 16V	10.90 - 11.95	78	G4CR
	1.6 i.e. 16V	10.90 - 11.95	84	G4CR
	1.8 i.e. 16V	10.90 - 11.95	93	G4CN
Sonata I (Y-2)	2.0 i	01.91 - 10.93	80	G4CP-U
Sonata II (Y-3)	2.0 i 16V	05.93 - 06.98	102	G4CP-D

MITSUBISHI

Colt III (C5_A)	1.6 GTi 16V	04.88 - 05.90	91	4G61
Galant IV (E3_A)	2.0 GTI 16V	11.88 - 10.92	106	4 G 63
	2.0 GTI 16V	11.88 - 10.92	107	4 G 63
	2.0 GTI 16V 4x4	07.89 - 12.92	106	4 G 63
Galant IV Sedan (E3_A)	2.0 GTI 16V	11.87 - 10.92	106	4 G 63
	2.0 GTI 16V	11.88 - 10.92	107	4 G 63
	2.0 GTI 16V 4x4	06.88 - 10.92	106	4 G 63

CL527

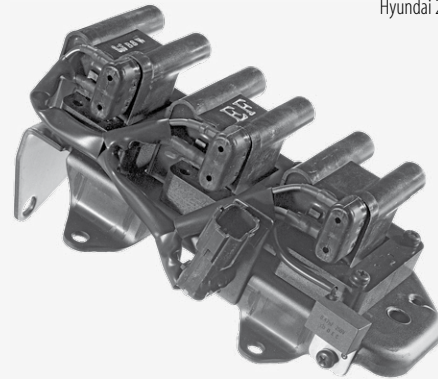


OEM-No.
Hyundai 27301 37110
27301 37120

HYUNDAI

Santa Fé (SM)	2.7 V6 4x4	02.01 -	127	G6BA-G
---------------	------------	---------	-----	--------

CL528



OEM-No.
Hyundai 27301 37100

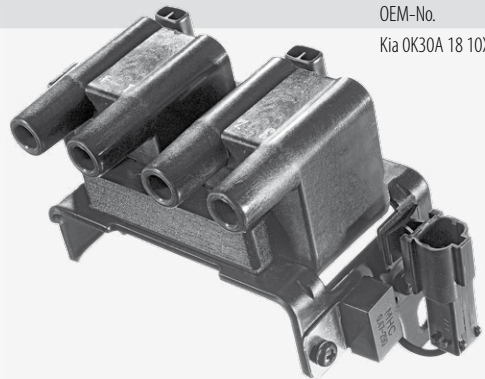
HYUNDAI

Sonata III (EF)	2.5 V6 24V	06.98 - 10.01	118	G6BV-G
Sonata IV (EU4)	2.7 V6	10.01 - 11.04	127	G6BA-G
Trajet (FO)	2.7 V6	09.00 -	127	G6BA-G
Infiniti				
G20	2.0	01.90 - 12.97	85	SR20DE

KIA

Magentis (GD)	2.5 V6	05.01 -	124	
---------------	--------	---------	-----	--

CL529

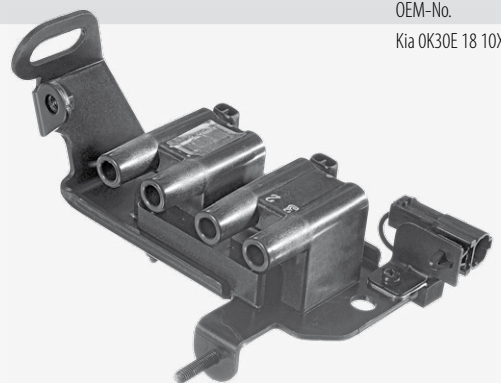


OEM-No.
Kia OK30A 18 10X

KIA

Rio (DC_)	1.3	09.00 - 02.05	55	
	1.3	08.02 - 02.05	60	

CL530



OEM-No.
Kia OK30E 18 10X

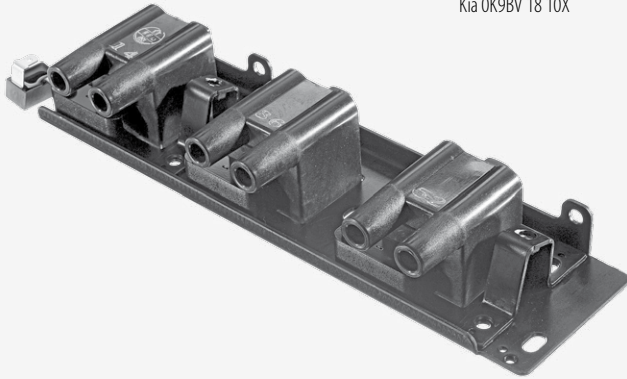
number of connectors: 5

KIA

Carens II (FJ)	1.6	07.02 -	77	
Rio Combi (DC)	1.5	09.02 - 02.05	71	
	1.5	08.00 - 02.05	72	

CL531

OEM-No.
Kia OK9BV 18 10X

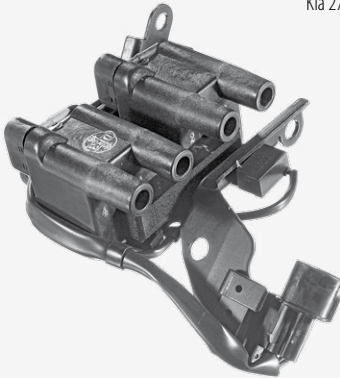


KIA

Carnival II	2.5V6	10.01 -	110
-------------	-------	---------	-----

CL532

OEM-No.
Kia 27301 33510

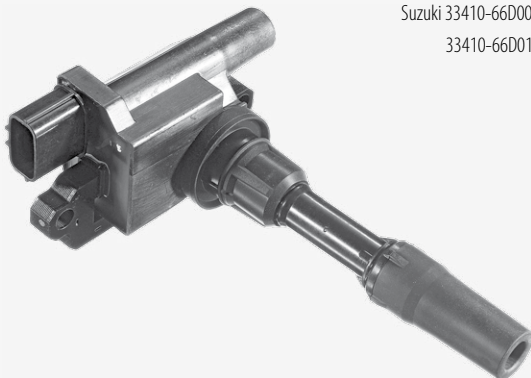


KIA

Joice	2.0	02.00 -	102
-------	-----	---------	-----

CL533

OEM-No.
Suzuki 33410-66D00
33410-66D01



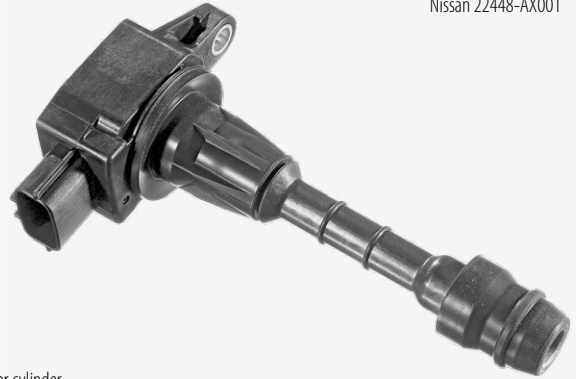
2 coil and ignition cables

SUZUKI

Grand Vitara (FT, GT)	1.6	03.98 -	69 G16B
-----------------------	-----	---------	---------

CL534

OEM-No.
Nissan 22448-AX001



1 coil per cylinder

NISSAN

Micra (K12)	1.4 16V	01.03 -	65 CR14DE
-------------	---------	---------	-----------

CL535

OEM-No.
Nissan 22448-31U01
22448-31U11



1 coil per cylinder

INFINITI

I30	3.0	01.97 -	142 VQ30DE
-----	-----	---------	------------

NISSAN

Maxima QX (A32)	2.0	02.95 - 08.00	103 VQ20DE
	3.0	01.95 - 08.00	142 VQ30DE
Maxima QX (A33)	2.0V6 24V	03.00 -	103 VQ20DE
	3.0V6 24V	03.00 -	147 VQ30DE
Maxima QX Stat. Wagon	2.0	10.97 -	103 VQ20DE
	3.0	10.97 -	142 VQ30DE

CL536

OEM-No.
Nissan 22448-31U06
22448-31U16



1 coil per cylinder

INFINITI

I30	3.0	01.97 -	142 VQ30DE
-----	-----	---------	------------

NISSAN

Maxima QX (A32)	2.0	02.95 - 08.00	103 VQ20DE
-----------------	-----	---------------	------------

CL536



CL536

NISSAN

Maxima QX (A32)	3.0	01.95 - 08.00	142	VQ30DE
Maxima QX (A33)	2.0V6 24V	03.00 -	103	VQ20DE
	3.0V6 24V	03.00 -	147	VQ30DE
Maxima QX Stat. Wagon	2.0	10.97 -	103	VQ20DE
	3.0	10.97 -	142	VQ30DE

CL537

OEM-No.
Nissan 22448-2Y000



1 coil per cylinder

NISSAN

Maxima (J30)	3.0 i	10.88 - 06.94	125	VG30E
--------------	-------	---------------	-----	-------

CL538

OEM-No.
Nissan 22448-2Y005



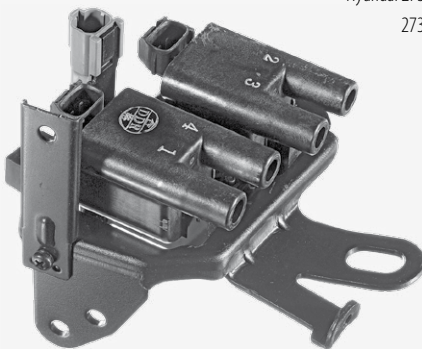
1 coil per cylinder

NISSAN

Maxima (J30)	3.0 i	10.88 - 06.94	125	VG30E
--------------	-------	---------------	-----	-------

CL539

OEM-No.
Hyundai 27301 23500
27301 23510



number of connectors: 5

HYUNDAI

Coupe (GK)	2.0	03.02 -	102	G4GC-G
Elantra (XD)	2.0	06.00 -	102	G4GC-G
Elantra Sedan (XD)	1.8	06.00 -	97	G4BB

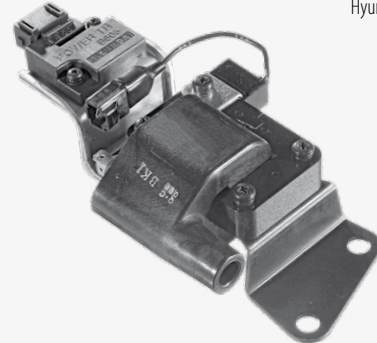
CL539

HYUNDAI

Elantra Sedan (XD)	2.0	06.00 -	102	G4GC-G
Matrix (FC)	1.8	06.01 -	90	G4GB-G

CL540

OEM-No.
Hyundai HQ808700

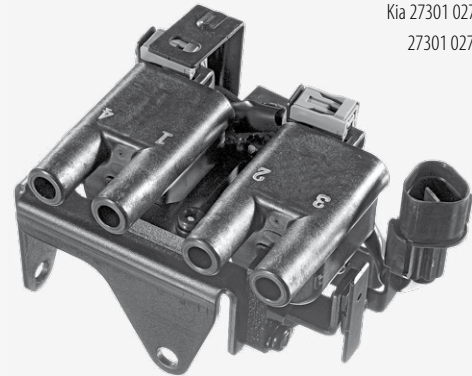


HYUNDAI

Galloper I	3.0V6	08.91 - 07.98	104	6G72
------------	-------	---------------	-----	------

CL541

OEM-No.
Kia 27301 02700
27301 02710

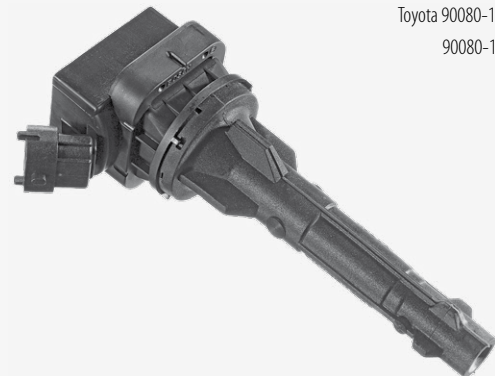


KIA

Picanto (BA)	1.1	04.04 -	48	G4HG
--------------	-----	---------	----	------

CL542

OEM-No.
Toyota 90080-19017
90080-19017 00



1 coil per cylinder

TOYOTA

Aygo	1.0	07.05 -	50	1KR-FE
Corolla (_E11_)	1.4 16V	02.00 - 01.02	71	4ZZ-FE
Corolla Compact (_E11_)	1.4	02.00 - 01.02	71	4ZZ-FE
Corolla Liftback (_E11_)	1.4	02.00 - 01.02	71	4ZZ-FE
Corolla Wagon (_E11_)	1.4 16V	02.00 - 01.02	71	4ZZ-FE
Yaris	1.0VVT-i	01.06 -	51	1KR-FE

CL543

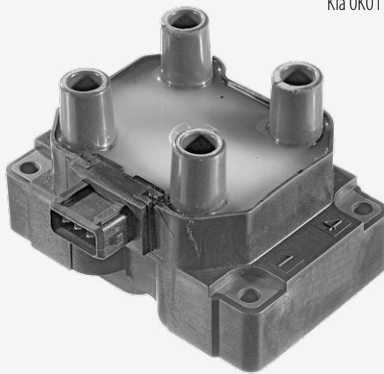


OEM-No.
Mitsubishi MD 113551
MD 131711

MITSUBISHI

Pajero I (L04_G, L14_G)	3.0V6	11.88 - 11.90	104	6G72
Pajero I Canvas Top	2.6	01.83 - 11.90	76	4G54
Pajero II (V2_W, V4_W)	3.0V6	12.90 - 12.95	110	6G72
Pajero II Canvas Top	3.0V6	12.90 - 12.95	110	6G72

CL544



OEM-No.
Kia OK011 18 100

KIA

Sportage (K00)	2.0i 4WD	04.94 - 08.99	70	FE
----------------	----------	---------------	----	----

CL545



OEM-No.
Kia OK9A2 18 10XB

KIA

Clarus (K9A)	2.0i 16V	07.96 -	98	FE (16V)
--------------	----------	---------	----	----------

CL546



OEM-No.
Kia 27301 26600

KIA

Cerato	1.6	07.04 -	77	G4ED
Rio II	1.6 16V	03.05 -	82	G4ED

CL547



OEM-No.
Mitsubishi MD 362907

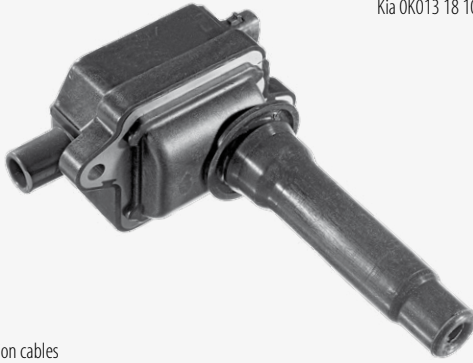
2 coils and ignition lead set T533P

MITSUBISHI

Carisma (DA_)	1.6	07.95 - 06.06	66	4 G 92	
	1.6	12.98 - 06.06	70		
	1.6	05.97 - 06.06	73	4 G 92	
	1.6	09.00 - 06.06	76		
	1.6	09.96 - 06.06	66	4 G 92	
Carisma Sedan (DA_)	1.6	12.98 - 06.06	70		
	1.6	05.97 - 06.06	73	4 G 92	
	1.6	09.00 - 06.06	76		
	1.6	09.96 - 06.06	66	4 G 92	
	1.6	05.97 - 06.06	73	4 G 92	
Colt V (CJ_A) 1600 GLX	1.6	05.96 - 09.00	66	4 G 92	
	2.4 16V	09.98 - 04.99	105		
	Galant VI (EA_)	2.0	09.00 - 10.04	98	
		2.0	09.96 - 09.00	100	4 G 63
		2.4 GDI	09.00 - 10.04	106	4G64 (GDI)
Lancer Combi (CS_W)	2.0	02.99 - 09.00	110	4G64 (GDI)	
	2.0	09.03 -	99	4 G 63	
	2.0	12.03 -	99	4 G 63	
Lancer Sedan (CS_A)	2.0	12.03 -	99	4 G 63	
Lancer VI (CK/P_A)	1.6 16V	12.95 - 08.03	66	4 G 92	
Outlander	2.4 4WD	05.03 -	102		
	2.4 4WD	11.03 -	118	4G69	
	2.4 4WD	05.03 -	119	4G69	
Pajero II Canvas Top	1.8 GDI	06.98 - 04.00	96	4G93	
Space Runner (N50)	2.0	08.99 -	100	4 G 63	
Space Star (DG0)	1.8 GDI	10.02 -	82	4G93	
Space Wagon (N5_W)	2.0 GDI	04.02 -	98	4 G 63	

CL548

OEM-No.
Kia OK013 18 100



2 coils and ignition cables

KIA

Sportage (K00)	2.0	10.00 - 08.03	87
	2.0 4WD	10.00 - 08.03	87
	2.0 i 16V	10.99 - 08.03	94 FE (16V)
	2.0 i 16V 4WD	04.94 - 08.03	94 FE (16V)

CL549

OEM-No.
Mitsubishi MD 362913



1 coil per cylinder

MITSUBISHI

Carisma (DA_)	1.8 16V GDI	09.97 - 06.06	92 4G93
	1.8 GDI	10.00 - 06.06	90 4G93
Carisma Sedan (DA_)	1.8 16V GDI	09.97 - 06.06	92 4G93
	1.8 GDI	10.00 - 06.06	90
Pajero Pinin	1.8	11.01 -	84 4G93
Space Star (DGO)	1.8 GDI	06.98 -	87
	1.8 GDI	06.98 -	90 4G93

CL550

OEM-No.
Honda 30520-P8E-A01
30520-P8F-A01
30520-P8F-A02
30520-PGK-A01
30520-PVF-A01



1 coil per cylinder

HONDA

Accord VII Coupe (CG)	3.0 V6 24V	02.98 - 06.03	147 J30A1
Civic VI	1.4	02.01 - 09.05	66 D14Z5

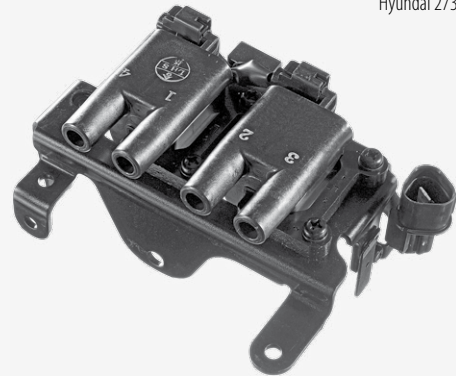
CL550

HONDA

Civic VI	1.6	02.01 - 09.05	81 D16V1
Civic VI Coupe (EM)	1.7 i	05.01 - 12.05	88 D17A8
	1.7 i VTEC	05.01 - 12.05	92 D17A5/D17A9
Civic VI Hatchback	1.4 IS	02.01 - 09.05	66 D14Z6
	1.6 i	02.01 - 09.05	81 D16V1
Stream (RN)	1.7 16V	05.01 -	92 D17A2

CL551

OEM-No.
Hyundai 27301 02100



HYUNDAI

Getz (TB)	1.1	09.02 -	46 G4HD
-----------	-----	---------	---------

CL553

OEM-No.
Hyundai 27300 39700
27300 39800



3 coils and ignition lead set T238P

HYUNDAI

Terracan (HP)	3.5 i V6 4WD	12.01 -	143 G6CU
XG 25	2.5	12.98 -	120
XG 30/300	3.0	12.98 -	138 G6CT-G
XG 350	3.5	04.03 -	145 G6CU

KIA

Opirus	3.5	09.03 -	149
--------	-----	---------	-----

CL554



OEM-No.
Nissan 224 48ED 800
224 48ED 800EP

1 coil per cylinder

NISSAN

Micra (K12)	1.6 160 SR	05.05 -	81	HR 16 DE
Micra C+C (K12) 160 SR	1.6	08.05 -	81	HR 16 DE
Note (E11)	1.6	03.06 -	81	HR 16 DE
Qashqai (J10, JJ10)	1.6	02.07 -	84	HR 16 DE
	2.0	02.07 -	103	MR20DE
	2.0 Allrad	02.07 -	103	MR20DE
Tiida (C11X)	1.6	09.07 -	81	HR 16 DE
	1.8	09.07 -	93	MR18DE
Tiida Sedan (SC11X)	1.6	09.07 -	81	HR 16 DE
	1.8	09.07 -	93	MR18DE
X-Trail (T31)	2.0	06.07 -	104	MR20DE
	2.0	06.08 -	103	
	2.0 FWD	03.07 -	104	MR20DE
	2.0 FWD	06.08 -	103	

CL555



OEM-No.
PSA 597088
Toyota 90080-9015
90080-9019
90919-02239
90919-T2002

1 coil per cylinder

CITROEN

C1 (PM_, PN_)	1.0	06.05 -	50	1KR-FE
---------------	-----	---------	----	--------

PEUGEOT

107	1.0	06.05 -	50	1KR (384 F)
-----	-----	---------	----	-------------

TOYOTA

Avenis (_T22_)	1.6 VVT-i	10.00 - 02.03	81	3ZZ-FE
	1.8 VVT-i	10.00 - 02.03	95	1ZZ-FE
Avenis (T25)	1.6 VVT-i	04.03 -	81	3ZZ-FE
	1.8	04.03 -	95	1ZZ-FE
Avenis Combi (T25)	1.6 VVT-i	04.03 -	81	3ZZ-FE
	1.8	04.03 -	95	1ZZ-FE
Avenis Liftback (_T22_)	1.6 VVT-i	10.00 - 02.03	81	3ZZ-FE
	1.8 VVT-i	10.00 - 02.03	95	1ZZ-FE
Avenis Sedan (T25)	1.6 VVT-i	04.03 -	81	3ZZ-FE
	1.8	04.03 -	95	1ZZ-FE
Avenis Station Wagon	1.6 VVT-i	10.00 - 02.03	81	3ZZ-FE

CL555

TOYOTA

Avenis Station Wagon	1.8 VVT-i	10.00 - 02.03	95	1ZZ-FE
Aygo	1.0	07.05 -	50	1KR-FE
Corolla (_E11_)	1.6 16V	02.00 - 01.02	81	3ZZ-FE
Corolla (_E12U_, _E12J_)	1.4 VVT-i	01.02 -	71	4ZZ-FE
	1.6 VVT-i	01.02 -	81	3ZZ-FE
Corolla Combi	1.4 VVT-i	01.02 -	71	4ZZ-FE
	1.6 VVT-i	01.02 -	81	3ZZ-FE
Corolla Compact (_E11_)	1.6	02.00 - 01.02	81	3ZZ-FE
Corolla Liftback (_E11_)	1.6	02.00 - 01.02	81	3ZZ-FE
Corolla Sedan	1.4 VVT-i	08.02 -	71	4ZZ-FE
	1.6 VVT-i	08.02 -	81	3ZZ-FE
Corolla Verso (_E12J_)	1.6 VVT-i	01.02 - 05.04	81	3ZZ-FE
	1.8 VVT-i	01.02 - 05.04	99	1ZZ-FE
Corolla Verso	1.6	04.04 -	81	3ZZ-FE
	1.8	04.04 -	95	1ZZ-FE
Corolla Wagon (_E11_)	1.6 16V	02.00 - 01.02	81	3ZZ-FE
MR 2 (_W3_)	1.8 16V VVT-i	04.00 -	103	1ZZ-FE
RAV 4 II (XA2)	1.8 VVTi	02.01 -	92	1ZZ-FE
Yaris	1.0 VVT-i	01.06 -	51	1KR-FE

CL556



OEM-No.
Honda 30520-PNA-007
30520-RAA-007
30520-RRR-007

1 coil per cylinder

HONDA

Accord VIII (CL_, CM_)	2.0	02.03 -	114	K20A
	2.0 Allrad	02.03 -	114	K20A
	2.4	02.03 -	140	K24A
Accord VIII Tourer (CM_)	2.0	04.03 -	114	K20A
	2.4	04.03 -	140	K24A
Civic VI Hatchback	2.0 i Sport	01.04 - 09.05	118	K20A3
	2.0 Type-R	09.01 - 09.05	147	K20A2
CR-V II (RD_)	2.0	07.02 - 09.06	110	K20A4
CR-V III	2.0 i-VTEC	01.07 -	110	R20A2
FR-V	2.0	02.05 -	110	K20A9
Stream (RN)	2.0 16V	05.01 -	115	K20A

CL557

OEM-No.
Suzuki 33410-77E21
33410-77E22



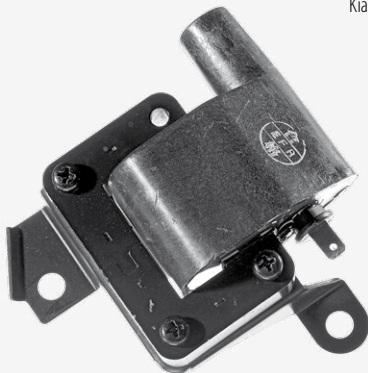
1 coil per cylinder

SUZUKI

Baleno (EG)	1.8 GT	03.96 - 05.02	89	J18A
Baleno Combi (EG)	1.8 i 16V	08.96 - 05.02	89	J18A
Baleno Hatchback (EG)	1.8 GT	03.96 - 05.02	89	J18A
Grand Vitara (FT, GT)	2.0	03.98 -	94	J20A
	2.5 V6 24V	04.98 -	106	H 25 A
	2.5 V6 24V	04.01 -	116	H 25 A
	2.7 XL-7	09.01 -	127	
	2.7 XL-7	04.03 -	135	H 27 A
Grand Vitara	2.0 Allrad	10.05 -	103	J20A
Vitara (ET, TA)	2.0 16V	12.96 - 03.98	97	J20A
	2.0 V6 24V	12.94 - 03.98	100	H 20 A
	2.5 V6 24V	12.95 - 03.98	118	
Vitara Cabrio (ET, TA)	2.0 16V	12.96 - 03.99	97	J20A

CL558

OEM-No.
Kia KK137-18-10XC



HYUNDAI

Galloper II (JK-01) 3.0 V6 08.98 - 104 G6AT

KIA

Pride (DA)	1.1 i	01.91 -	38	B1
	1.3 16V	01.90 -	44	B3
	1.3 16V	10.96 -	47	B3
	1.3 16V	01.90 -	53	B3
	1.3 i	01.90 -	51	
Pride Combi	1.3	08.99 -	47	

MITSUBISHI

Pajero II	2.4	04.91 - 04.00	82	4G64
Pajero II Canvas Top	2.4	04.91 - 04.00	82	4G64
Sigma (F16A)	3.0 V6	12.90 - 07.96	130	6G72
Sigma Station Wagon	3.0 V6	01.93 - 07.96	125	6G72

NISSAN

Bluebird (T72, T12)	1.8 Turbo	12.85 - 05.90	99	CA18T
Bluebird (U11)	1.8 Turbo	04.84 - 05.90	99	CA18T

CL558

NISSAN

Bluebird Hatchback	1.8 Turbo	12.85 - 05.90	99	CA18T
Sunny II (N13)	1.6 i	06.86 - 10.90	54	E16i
	1.6 i 4x4	06.86 - 10.90	54	E16i
Sunny II Hatchback	1.6 i	06.86 - 10.90	54	E16i

CL559

OEM-No.
Mazda JF01-18-100B

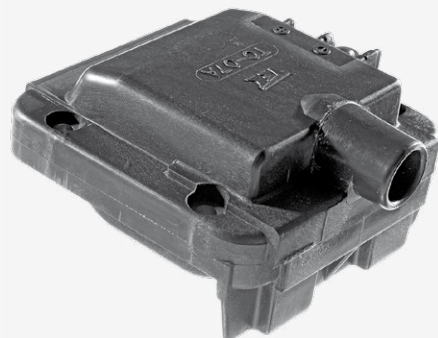


MAZDA

626 III (GD)	2.0 12V	09.87 - 05.92	79	FE (12V)
	2.0 16V	11.87 - 05.92	103	FE Cat.
	2.2 12V	11.87 - 07.91	85	F2
	2.2 12V 4WD	01.90 - 05.92	85	
626 III Coupe (GD)	2.0 12V	09.87 - 12.88	79	FE (12V)
	2.0 16V	12.87 - 10.90	103	FE Cat.
	2.2 12V	04.88 - 12.91	85	F2
626 III Hatchback (GD)	2.0 12V	11.87 - 05.92	79	FE (12V)
	2.0 16V	11.87 - 10.90	103	FE Cat.
	2.2 12V	06.88 - 04.92	85	F2
	2.2 12V 4WD	11.87 - 07.90	85	F2
626 III Station Wagon	2.0	10.88 - 09.97	66	FE
	2.0 16V	01.88 - 03.92	103	FE Cat.
	2.2 12V	03.89 - 11.96	85	F2
	2.2 12V 4WD	05.91 - 11.92	85	F2L1/F2
929 III (HC)	3.0	01.90 - 06.91	123	JE3
	3.0	01.88 - 12.89	125	JE3
	3.0	06.87 - 06.91	140	JE

CL560

OEM-No.
Honda 30500-PR4-A02



HONDA

Civic II Shuttle (EE)	1.6 i 16V 4WD	01.88 - 12.89	80	D16A6
	1.6 i 16V 4WD	01.88 - 02.95	81	D16A6
Civic III Hatchback	1.5 i 16V	10.88 - 09.91	66	D15B2
	1.5 i 16V	10.88 - 09.91	69	D15B2

CL560

CL560

HONDA

Civic III Hatchback	1.6 i 16V	10.87 - 09.91	80	D16A6
	1.6 i 16V	10.87 - 09.91	81	D16Z2
	1.6 i 16V Vtec	10.89 - 09.91	110	B16A1
Civic III Sedan (ED)	1.6 i 16V	11.87 - 09.91	80	D16A6
	1.6 i 16V	10.87 - 09.91	81	D16Z2
	1.6 i 16V 4x4	10.89 - 09.91	80	D16A6
Civic IV (EG, EH)	1.6 Vti	10.91 - 11.95	118	B16A2
Concerto (HW)	1.5 i 16V	08.89 - 03.95	66	D15B2
CRX II (ED, EE)	1.6 i 16V Vtec	10.89 - 02.92	110	B16A1

CL561

OEM-No.

Suzuki 33400-65G01



2 coils and ignition lead set T967B

SUBARU

Justy III (G3X) 1.5 09.03 - 73 M15A

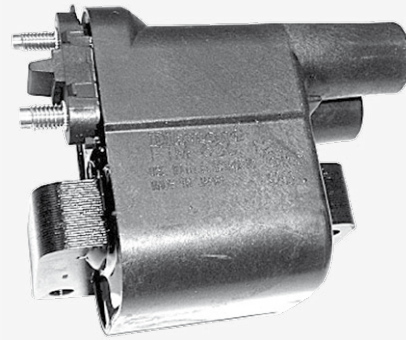
SUZUKI

Alto IV (FF)	1.1	06.02 -	46	
Baleno (EG)	1.3	09.96 - 05.02	52	G13BA
	1.3 i 16V	07.95 - 05.02	63	G13B
	1.6 i 16V	07.95 - 05.02	72	G16B
	1.6 i 16V 4x4	07.95 - 05.02	72	G16B
Baleno Combi (EG)	1.3 16V	03.97 - 05.02	63	G13BB
	1.6 i 16V	08.96 - 05.02	72	G16B
	1.6 i 16V 4x4	08.96 - 05.02	72	G16B
Baleno Hatchback (EG)	1.3	09.96 - 05.02	52	G13BA
	1.3 i 16V	07.95 - 05.02	63	G13B
	1.6 i 16V	07.95 - 05.02	72	G16B
	1.6 i 16V 4x4	07.95 - 05.02	72	G16B
Carry Van (FD)	1.3	03.99 -	58	G13B
	1.3 16V	03.00 -	58	G13BB
Ignis (FH)	1.3	10.00 - 09.03	61	M13A
	1.3 4WD	10.00 - 09.03	61	M13A
Ignis II	1.3	09.03 -	69	M13A
	1.3 4x4	09.03 -	69	M13A
	1.5	09.03 -	73	M15A
	1.5 4x4	09.03 -	73	M15A
	1.5 Sport	12.03 -	80	M15A
Jimmy (FJ)	1.3 16V	02.01 -	60	M13A
	1.3 16V 4WD	02.01 -	60	M13A
Swift III (SG)	1.3	02.05 -	68	M13A
	1.3 4x4	02.05 -	68	
	1.5	02.05 -	75	M15A
SX4	1.5	06.06 -	73	M15A
Wagon R+ (MM)	1.3	09.03 -	69	M13A
	1.3 4WD	09.03 -	69	M13A

CL562

OEM-No.

Mitsubishi MD158956



number of connectors: 2

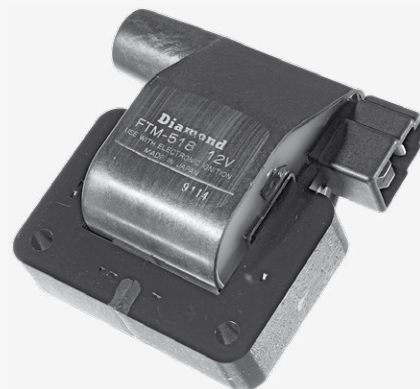
MITSUBISHI

Eclipse I (D2_A)	2.0 i 16V	04.91 - 11.95	110	4 G 63
	2.0 i 16V 4x4	04.91 - 11.95	110	4 G 63
Galant IV Sedan (E3_A)	1.8	11.87 - 10.92	66	4G37
	2.0	11.87 - 10.92	80	4G63
	2.0 4x4	12.88 - 10.92	80	4G63
	2.0 GTi 16V	11.87 - 10.92	106	4 G 63
	2.0 GTi 16V	11.88 - 10.92	107	4 G 63
	2.0 GTi 16V 4x4	06.88 - 10.92	106	4 G 63
Lancer IV (C6_A, C7_A)	1.6 16V	06.92 - 05.94	83	4 G 92
	1.6 4x4	06.92 - 11.93	84	4 G 92

CL563

OEM-No.

Daihatsu	19500-87201	90048-52085
	19500-87201-000	90048-52086
	19500-87202	90048-52091
	90048-52070	90048-52093
	90048-52072	90048-52093-000
	90048-52072-000	90048-52095
	90048-52077	90048-52095-000
	90048-52078	90048-52098
	90048-52079	90048-52099
	90048-52084	



DAIHATSU

Cuore II (L80, L81)	0.8	11.89 - 12.90	29	ED 10
	0.8	09.85 - 06.90	32	ED 10
	0.8 4WD	09.86 - 10.88	32	ED 10
Feroza Hard Top (F300)	1.6 16V	10.88 -	63	HDC
	1.6 i 16V	10.88 -	70	HD-E
Feroza Soft Top (F300)	1.6 16V	10.88 -	63	HDC
	1.6 i 16V	10.88 -	70	HD-E
Charade III	1.0	03.87 - 12.92	38	CB 23
	1.0	11.90 - 12.92	40	CB 90

CL563



CL563

DAIHATSU

Charade III	1.0	04.89 - 12.92	41	CB 90
	1.0 Gti	03.87 - 12.92	74	CB 80 T
	1.3 i	06.88 - 12.92	66	HCE
	1.3 i 4WD	06.88 - 01.93	66	HCE
Charade III Sedan	1.3	11.90 - 02.93	66	HCE

CL564

OEM-No.
Toyota 90919-02248



1 coil per cylinder

TOYOTA

Avensis (_T22_)	2.0 VVT-i	10.00 - 02.03	110	1AZ-FSE
Avensis (T25)	2.4	10.03 -	120	2AZ-FSE
	2.4	09.03 -	125	2AZ-FSE
Avensis Combi (T25)	2.4	10.03 -	120	2AZ-FSE
	2.4	09.03 -	125	2AZ-FSE
Avensis Liftback (_T22_)	2.0 VVT-i	10.00 - 02.03	110	1AZ-FSE
Avensis Sedan (T25)	2.4	10.03 -	120	2AZ-FSE
	2.4	09.03 -	125	2AZ-FSE
Avensis Station Wagon	2.0 VVT-i	10.00 - 02.03	110	1AZ-FSE
Land Cruiser (GRJ12)	4.0	01.03 -	183	1GR-FE

CL565

OEM-No.
Hyundai 27301-23700
Kia 27301-23700



number of connectors: 3

HYUNDAI

Coupe (GK)	2.0	03.02 -	102	G4GC-G
Elantra (XD)	2.0	10.03 -	105	G4GC
Elantra Sedan (XD)	2.0	10.03 -	105	G4GC
Matrix (FC)	1.8	06.01 -	90	G4GB-G

KIA

Cerato	2.0	04.04 -	105	G4GC
Sportage (JE_)	2.0 16V	09.04 -	104	G4GC
	2.0 16V 4WD	09.04 -	104	G4GC

CL600

OEM-No.

BMW 1 404 309	BMW 12 13 1 748 017
1 703 227	12 13 1 748 018
1 703 825	Landrover NEC000040
1 748 017	Landrover NEC101000L
1 748 018	Rover GCL 307
12 13 1 404 309	Rover NEC000040
12 13 1 703 227	Rover NEC101000
12 13 1 703 228	Rover NEC101000L
12 13 1 703 825	Rover NEC101010



1 coil per cylinder

BMW

320 i Coupe (E36)	2.0	03.92 - 04.99	110	M 52B... / M 50B...
320 i Touring (E36)	2.0	01.95 - 10.99	110	M 52B... / M 50B...
320 i (E46)	2.0	03.98 - 09.00	110	M 52 B...
	2.2	09.00 - 09.02	125	M5422651/M 54 B 22
320 i Touring (E46)	2.0	10.99 - 09.00	110	M 52 B...
	2.2	09.00 - 09.02	125	M5422651/M 54 B 22
320 Ci Cabrio (E46)	2.2	09.00 - 09.02	125	M5422651/M 54 B 22
320 Ci Coupe (E46)	2.0	08.99 - 09.00	110	M 52 B...
	2.2	09.00 - 09.02	125	M5422651/M 54 B 22
323 i (E36)	2.5	03.95 - 02.98	125	M 52 B 25 (Vanos)
323 i Cabrio (E36)	2.5	06.95 - 04.99	125	M 52 B 25 (Vanos)
323 i Coupe (E36)	2.5	03.95 - 04.99	125	M 52 B 25 (Vanos)
323 i Touring (E36)	2.5	09.95 - 10.99	125	M 52 B 25 (Vanos)
323 ti Compact (E36)	2.5	08.97 - 08.00	125	M 52 B 25 (Vanos)
323 i (E46)	2.5	03.98 - 09.00	125	M 52 B...
323 Ci Cabrio (E46)	2.5	04.00 - 09.00	125	M 52 B 25 (Vanos)
323 Ci Coupe (E46)	2.5	04.99 - 09.00	125	M 52 B 25 (Vanos)
325 i (E46)	2.5	09.00 - 09.02	141	M5425655/M 54 B 25
325 i Touring (E46)	2.5	09.00 - 09.02	141	M5425655/M 54 B 25
325 Ci Cabrio (E46)	2.5	09.00 - 09.02	141	M5425655
325 Ci Coupe (E46)	2.5	09.00 - 09.02	141	M5425655
325 ti Compact (E46)	2.5	06.01 - 09.02	141	M5425655/M 54 B 25
325 xi (E46)	2.5	09.00 - 09.02	141	M5425655
325 xi Touring (E46)	2.5	09.00 - 09.02	141	M5425655
328 i (E36)	2.8	01.95 - 02.98	142	M52B 28 / M52B 28 TU
328 i Cabrio (E36)	2.8	03.95 - 04.99	142	M52B 28 / M52B 28 TU
328 i Coupe (E36)	2.8	01.95 - 04.99	142	M52B 28 / M52B 28 TU
328 i Touring (E36)	2.8	01.95 - 10.99	142	M52B 28 / M52B 28 TU
328 i (E46)	2.8	02.98 - 06.00	142	M 52 B 28
328 Ci Coupe (E46)	2.8	04.99 - 06.00	142	M 52 B 28
328 i Touring (E46)	2.8	10.99 - 06.00	142	M 52 B 28
330 Ci Cabrio (E46)	3.0	06.00 - 09.02	170	M5430653
330 i (E46)	3.0	06.00 - 09.02	170	M5430653/M 54 B 30
330 i Touring (E46)	3.0	06.00 - 09.02	170	M5430653/M 54 B 30
330 xi (E46)	3.0	06.00 - 09.02	170	M5430653
330 xi Coupe (E46)	3.0	06.00 - 09.02	170	M5430653
330 xi Touring (E46)	3.0	06.00 - 09.02	170	M5430653
520 i (E39)	2.0	04.99 - 06.03	100	M 52 B (20 G 53) Vanos
	2.0	01.96 - 09.00	110	M 52 B...
	2.2	09.00 - 09.02	125	M 54 B 22
520 i Touring (E39)	2.0	04.99 - 05.04	100	M 52 B (20 G 53) Vanos
	2.0	01.97 - 09.00	110	M 52 B...
	2.2	09.00 - 09.02	125	M 54 B 22

CL600



CL600

BMW

523 i (E39)	2.5	11.95 - 09.00	125	M 52 B...
523 i Touring (E39)	2.5	01.97 - 09.00	125	M 52 B...
525 i (E39)	2.5	09.00 - 09.02	141	M542565S/M 54 B 25
525 i Touring (E39)	2.5	09.00 - 09.02	141	M542565S/M 54 B 25
528 i (E39)	2.8	11.95 - 09.00	142	M52B 28 / M52B 28TU
528 i Touring (E39)	2.8	01.97 - 09.00	142	M52B 28 / M52B 28TU
530 i (E39)	3.0	09.00 - 09.02	170	M5430653/M 54 B 30
530 i Touring (E39)	3.0	09.00 - 09.02	170	M5430653/M 54 B 30
535 i (E39)	3.5	04.96 - 03.99	173	M62B...
	3.5	04.99 - 06.03	180	M62B...
540 i (E39)	4.4	04.96 - 06.03	210	M62B... / M62 44 852
540 i Touring (E39)	4.4	01.97 - 05.04	210	M62B... / M62 44 852
728 i,iL (E38)	2.8	08.95 - 11.01	142	M52B 28 / M52B 28TU
735 i,iL (E38)	3.5	01.96 - 11.01	173	M62B...
740 i,iL (E38)	4.4	01.96 - 11.01	210	M62B... / M62 44 852
840 Ci (E31)	4.4	01.96 - 12.99	210	M62B 44TU / M62B 44
Alpina Roadster (Z8)	4.8V8	06.02 -	280	
M3 (E36)	3.2	09.95 - 02.98	236	S 50 B 32
M3 Cabrio (E36)	3.2	10.95 - 04.99	236	S 50 B 32
M3 Coupe (E36)	3.2	10.95 - 04.99	236	S 50 B 32
M5 (E39)	5.0	10.98 - 06.03	294	S 38 B 49/S 62 B 50
X5 (E53)	3.0i	05.00 - 10.02	163	M5430653
	3.0i	05.00 -	170	M5430653/M 54 B 30
	4.4i	05.00 -	210	M62B 44TU / M62B 44
	4.6 is	02.02 -	255	M6746851/M 62 B 46
Z3	2.0	04.99 - 01.03	110	M 52 B...
	2.2	08.00 - 01.03	125	M5422651/M 54 B 22
	2.8	04.97 - 06.00	141	M52B 28 / M5 B 28TU
	3.0	06.00 - 01.03	170	M5430653/M 54 B 30
	3.2 M	03.97 - 06.01	236	S 50 B 32
Z3 Coupe	2.8	07.97 - 06.00	141	M 52 B 28
	3.0	06.00 - 06.03	170	M5430653
	3.2 M	02.98 - 06.01	236	S 50 B 32
Z8	4.9	06.00 - 06.03	294	S 38 B 49/S 62 B 50

LANDROVER

Range Rover III (LM)	4.4	03.02 -	210	
----------------------	-----	---------	-----	--

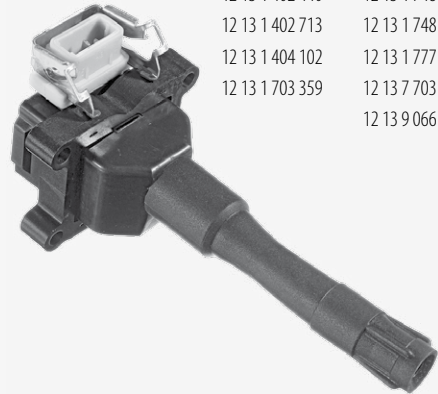
ROVER

75 (RJ)	2.0V6	02.99 -	110	20 K4F
	2.5V6	02.99 - 10.01	129	KV 6
75 Tourer (RJ)	2.5V6	08.01 -	130	KV 6

CL601

OEM-No.

BMW 1 720 166	12 13 1 720 166
1 726 176	12 13 1 726 176
1 726 177	12 13 1 726 177
1 726 178	12 13 1 726 178
1 726 178B	12 13 1 727 108
1 730 765	12 13 1 729 842
1 731 134	12 13 1 730 765
1 731 178B	12 13 1 730 766
1 748 394	12 13 1 731 134
1 777 666	12 13 1 731 884
12 13 1 317 232	12 13 1 734 468
12 13 1 402 440	12 13 1 748 394
12 13 1 402 713	12 13 1 748 395
12 13 1 404 102	12 13 1 777 666
12 13 1 703 359	12 13 7 703 359
	12 13 9 066 468



1 coil per cylinder

BMW

318 is (E30)	1.8	09.89 - 08.91	100	M 42 B 18
	1.8	03.93 - 09.93	103	M 42 B 18
320 i (E30)	2.0	09.90 - 02.98	110	M 52 B... / M 50...
320 i Cabrio (E36)	2.0	12.93 - 04.99	110	M 52 B... / M 50...
325 i (E30)	2.5	09.90 - 09.95	141	M 50 B...
325 i Cabrio (E36)	2.5	03.93 - 03.95	141	M 50 B...
325 i Coupe (E36)	2.5	03.92 - 04.99	141	M 50 B...
520 i 24V (E34)	2.0	09.89 - 09.95	110	M 50 B...
520 i Combi (E34)	2.0	11.91 - 01.97	110	M 50 B...
525 i 24V (E34)	2.5	09.89 - 09.95	141	M 52B... / M 50B...
525 i Combi (E34)	2.5	11.91 - 01.97	141	M 50 B...
525 i X 24V (E34)	2.5	10.91 - 09.95	141	M 52 B 25 (Vanos)
525 i X Combi (E34)	2.5	02.92 - 01.97	141	M 52B... / M 50B...
530 i V8 (E34)	3.0	09.92 - 09.95	160	M 60 B 30
530 i V8 Combi (E34)	3.0	09.92 - 01.97	160	M 60 B 30
540 i V8 (E34)	4.0	09.92 - 09.95	210	M 60 B 40
540 i Combi (E34)	4.0	09.93 - 01.97	210	M 60 B 40
730 i,iL V8 (E32)	3.0	04.92 - 09.94	160	M 60 B 30
730 i,iL (E38)	3.0	10.94 - 11.01	155	M 60 B 30
730 i,iL (E38)	3.0	10.94 - 11.01	160	M 60 B 30
740 i,iL V8 (E32)	4.0	04.92 - 09.94	210	M 60 B 40
740 i,iL (E38)	4.0	10.94 - 11.01	210	M 60 B 40
840 i (E31)	4.0	02.93 - 02.96	210	M 60 B 40
M3 (E30)	3.0	08.94 - 09.95	210	S 50 B 30
M3 Cabrio (E36)	3.0	01.94 - 10.95	210	S 50 B 30
M3 Coupe (E36)	3.0	10.92 - 01.95	210	S 50 B 30
	3.0	01.95 - 10.95	217	S 50 B 30

CL602

OEM-No.
BMW 12 13 1 712 219
12 13 1 712 223
12 13 7 551 260



1 coil per cylinder

BMW

116i (E81, E87)	1.6	09.04 -	85	N45B16/-A/ N45B16 TU2
118i (E81, E87)	2.0	09.04 -	95	N42B20B/N 46 B 20
120i (E81, E87)	2.0	09.04 -	110	N42B20A/N 46 B 20
316 i (E46)	1.6	06.02 - 02.05	85	N45B16A/N 45 B 16
	1.8	02.02 - 02.05	85	N42B18/N46B18/-A
316 i Touring (E46)	1.8	03.02 - 02.05	85	N42B18/N46B18/-A
316 Ci Coupe (E46)	1.6	06.02 -	85	N45B16A
316 ti Compact (E46)	1.8	06.01 - 02.05	85	N 42 B 18/N46B18A
316i (E90)	1.6	02.06 -	85	N45B16/-A/ N45B16 TU2
318 i (E46)	2.0	09.01 - 02.05	105	N 42 B 20/N 46 B 20/-A
318 i Touring (E46)	2.0	09.01 - 02.05	105	N 42 B 20/N 46 B 20/-A
318 Ci Cabrio (E46)	2.0	09.01 -	105	N 42 B 20/N 46 B 20
	2.0	02.05 -	110	N46B20B
318 Ci Coupe (E46)	2.0	09.01 -	105	N 42 B 20/N 46 B 20
	2.0	03.05 -	110	N46B20A
318 ti Compact (E46)	2.0	09.01 - 02.05	105	N 42 B 20/N46B20A
318i (E90)	2.0	09.05 - 03.07	95	N46B20B/N 46 B 20
318i Touring (E91)	2.0	01.06 -	95	N46B20B/N 46 B 20
320 i (E46)	2.2	10.02 - 02.05	125	M5422651/M 54 B 22
320 i Touring (E46)	2.2	10.02 - 02.05	125	M5422651/M 54 B 22
320 Ci Cabrio (E46)	2.2	10.02 -	125	M5422651/M 54 B 22
320 Ci Coupe (E46)	2.2	10.02 -	125	M5422651/M 54 B 22
320i (E90)	2.0	01.05 - 03.07	110	N46B20/-A/-C
320 si (E90)	2.0	05.06 -	127	N45B20A
320i Coupe (E92)	2.0	11.06 - 06.07	110	N46NB20B/N46B20A
320i Touring (E91)	2.0	09.05 -	110	N46B20/-A/-C
325 i (E46)	2.5	10.02 - 02.05	141	M5425655/M 54 B 25
325 i Touring (E46)	2.5	10.02 - 02.05	141	M5425655/M 54 B 25
325 Ci Cabrio (E46)	2.5	10.02 -	141	M5425655
325 Ci Coupe (E46)	2.5	10.02 -	141	M5425655
325 ti Compact (E46)	2.5	10.02 - 12.04	141	M5425655/M 54 B 25
325 xi (E46)	2.5	10.02 - 02.05	141	M5425655
325 xi Touring (E46)	2.5	10.02 - 02.05	141	M5425655
330 i (E46)	3.0	10.02 - 02.05	170	M5430653/M 54 B 30
330 i Touring (E46)	3.0	10.02 - 02.05	170	M5430653/M 54 B 30
330 Ci Cabrio (E46)	3.0	10.02 -	170	M5430653
330 xi (E46)	3.0	10.02 - 02.05	170	M5430653
330 xi Coupe (E46)	3.0	10.02 -	170	M5430653
330 xi Touring (E46)	3.0	10.02 - 02.05	170	M5430653
520 i (E39)	2.2	10.02 - 06.03	125	M 54 B 22
520 i Touring (E39)	2.2	10.02 - 05.04	125	M 54 B 22
520i (E60)	2.2	07.03 -	125	M5422651/M 54 B 22
525 i (E39)	2.5	10.02 - 06.03	141	M5425655/M 54 B 25
525 i Touring (E39)	2.5	10.02 - 05.04	141	M5425655/M 54 B 25
525i (E60)	2.5	09.03 -	141	M5425655/M 54 B 25
525i Touring (E61)	2.5	06.04 -	141	M5425655/M 54 B 25

CL602

BMW

530 i (E39)	3.0	10.02 - 06.03	170	M5430653/M 54 B 30
530 i Touring (E39)	3.0	10.02 - 05.04	170	M5430653/M 54 B 30
530i (E60)	3.0	07.03 -	170	M5430653/M 54 B 30
540i (E60)	4.0	07.05 -	225	N62B40A
545i (E60)	4.4	09.03 -	245	N 62 B 44
545i Touring (E61)	4.4	06.04 -	245	N 62 B 44
550i (E60)	4.8	07.05 -	270	N62B48B
550i Touring (E61)	4.8	07.05 -	270	N62B48B/N62B48A
645Ci (E63)	4.4	01.04 -	245	N62B44A/N 62 B 44
645Ci Cabrio (E64)	4.4	04.04 -	245	N62B44A/N 62 B 44
650i (E63)	4.8	07.05 -	270	N62B48B
650i Cabrio (E64)	4.8	07.05 -	270	N62B48B
730 i, Li (E65, E66)	3.0	03.03 -	170	M5430653/M 54 B 30
735 i, Li (E65, E66)	3.6	11.01 -	200	N 62 B 36
740 i, Li (E65, E66)	4.0	07.05 -	225	N62B40A
745 i, Li (E65, E66)	4.4	11.01 -	245	N62B44A/N 62 B 44
750 i, Li (E65, E66)	4.8	07.05 -	270	N62B48B
760 i, Li (E65, E66)	6.0	01.03 -	327	N 73 B 60
Alpina B7 (E65)	4.4	01.04 -	368	N62B44A19
M3 Coupe (E46)	3.2	06.00 -	252	S5432654/S 54 B 32
M3 Cabrio (E46)	3.2	04.01 -	252	S5432654/S 54 B 32
M3 CSL Coupe (E46)	3.2	06.03 -	265	S 54 B 32/S54N32654
X3 (E83)	2.0 i	07.05 -	110	N 46 B 20/N46B20A
	2.5 i	01.04 -	141	M5425655/M 54 B 25
	3.0 i	01.04 -	170	M5430653/M 54 B 30
X5 (E53)	3.0 i	11.02 -	163	M5430653
	4.4 i	12.03 -	235	N62B44A/N 62 B 44
	4.8 is	04.04 -	265	N62B48A
X5 (E70)	4.8 i	02.07 -	261	N62B48B
Z3	3.2 M	06.01 - 01.03	239	S 54 B 32
Z3 Coupe	3.2 M	06.01 - 06.03	239	S5432654/S 54 B 32
Z4 (E85)	2.0 i	04.05 -	110	N 46 B 20/N46B20A
	2.2 i	10.03 -	125	M5422651/M 54 B 22
	2.5 i	02.03 -	141	M5425655/M 54 B 25
	3.0 i	02.03 -	170	M5430653/M 54 B 30
	3.2 M	03.06 -	252	S5432654/S 54 B 32
Z4 Coupe	3.2 M	03.06 -	252	S5432654/S 54 B 32

CL603

OEM-No.
BMW 12 13 7 562 744
12 13 7 571 643
PSA 5970 64
V7 562 744
V7 571 64380



1 coil per cylinder

BMW

125i Cabrio (E88)	3.0	03.08 -	160	N53B30A
125i Coupe (E82)	3.0	10.07 -	160	N53B30A
130i (E81, E87)	3.0	09.05 -	195	N52B30A/N 52 B 30
135i Cabrio (E88)	3.0	03.08 -	225	N54B30A
135i Coupe (E82)	3.0	10.07 -	225	N54B30A
325i (E90)	2.5	01.05 -	160	N52B25A/N 52 B 25

CL603

CL603

BMW

325i Cabrio (E93)	2.5	03.07 -	160	N52B25A/N 52 B 25
325i Coupe (E92)	2.5	09.06 -	160	N52B25C / N52B25A
325i Touring (E91)	2.5	09.05 -	160	N52B25C / N52B25A
325xi (E90)	2.5	01.05 -	160	N52B25A
325xi Coupe (E92)	2.5	09.06 -	160	N52B25C/N52B25A
325xi Touring (E91)	2.5	09.05 -	160	N52B25C
330i (E90)	3.0	01.05 -	190	N52B30A/N 52 B 30
330i Coupe (E92)	3.0	09.06 -	200	N52B30A / N53B30A
330i Touring (E91)	3.0	09.05 -	190	N52B30A/N 52 B 30
335i (E90)	3.0	09.06 -	225	N54B30A
335i Cabrio (E93)	3.0	03.07 -	225	N54B30A/N54B30B
335i Coupe (E92)	3.0	09.06 -	225	N54B30A
335i Touring (E91)	3.0	09.06 -	225	N54B30A
335xi (E90)	3.0	09.07 -	225	N54B30A
335xi Coupe (E92)	3.0	09.06 -	225	N54B30A
335xi Touring (E91)	3.0	09.07 -	225	N54B30A
523i (E60)	2.5	07.05 -	130	N52B25A/N 52 B 25
523i Touring (E61)	2.5	07.05 -	130	N52B25A/N 52 B 25
525i (E60)	2.5	07.05 -	160	N52B25A/N 52 B 25
525i Touring (E61)	2.5	07.05 -	160	N52B25A/N 52 B 25
530i (E60)	3.0	07.05 -	190	N52B30A/N 52 B 30
530i Touring (E61)	3.0	07.05 -	190	N52B30A/N 52 B 30
530xi (E60)	3.0	07.05 -	190	N52B30A
530xi Touring (E61)	3.0	07.05 -	190	N52B30A
630i (E63)	3.0	09.04 -	190	N52B30A/N 52 B 30
630i Cabrio (E64)	3.0	09.04 -	190	N52B30A/N 52 B 30
730 i, Li (E65, E66)	3.0	03.05 -	190	N52B30A/N 52 B 30
740i (F01, F02)	3.0	10.08 -	240	
750i (F01, F02)	4.4	10.08 -	300	
X3 (E83)	2.5 si	09.06 -	160	N52B25A
	3.0 si	09.06 -	200	N52B30A
X5 (E70)	3.0 si	02.07 -	200	N52B30A/N 52 B 30
X6 (E71) 35i	3.0	05.08 -	225	N54B30A
X6 (E71) 50i	4.4	05.08 -	300	
Z4 (E85)	2.5 i	01.06 -	130	N52B25A
	2.5 si	01.06 -	160	N52B25A
	3.0 si	01.06 -	195	N52B30A/N 52 B 30
Z4 Coupe	3.0 si	03.06 -	195	N52B30A/N 52 B 30

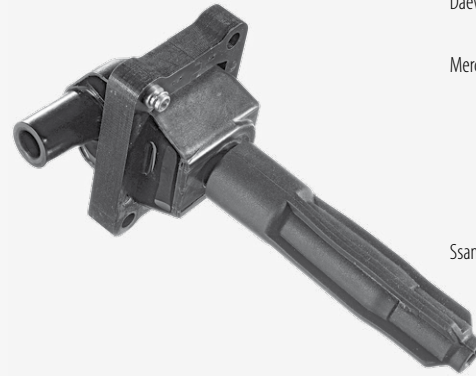
MINI

Mini Clubman Cooper	1.6	10.07 -	88	N12B16A
Mini Cooper (R56)	1.6	10.06 -	88	N12B16A
Mini One (R56)	1.4	03.07 -	70	

PEUGEOT

207 (WA_, WC_)	1.6 16V VTi	02.07 -	88	EP6
207 CC (WD_)	1.6 16V	02.07 -	88	EP6
207 SW (WK_)	1.6 16V	06.07 -	88	EP6
308 (4A_, 4C_)	1.4 16V	09.07 -	70	
	1.6 16V	09.07 -	88	EP6

CL604



OEM-No.

Daewoo 0001587003
0001587503
Mercedes 000 150 02 80
000 158 70 03
000 158 71 03
000 158 75 03
A0001500280
A0001587003
Ssang Yong 0001587503

2 (3) coils and ignition lead set T743C/T982C (T623C/T624C)

DAEWOO

Korando (KJ)	2.3	01.99 -	105	
	3.2	01.99 -	156	M 104.995
Musso (FJ)	2.3	01.99 -	103	M 111.970
	3.2	01.99 -	162	M 104.992

MERCEDES

280 TE (S124)	2.8	10.92 - 06.93	145	M 104.942
280E (W124)	2.8	10.92 - 06.93	145	M 104.942
320 CE Coupe (C124)	3.2	10.92 - 05.93	162	M 104.992
320 TE (S124)	3.2	10.92 - 06.93	162	M 104.992
320E (W124)	3.2	10.92 - 06.93	162	M 104.992
C 180 (W202)	1.8	11.94 - 05.00	89	M 111.921
	1.8	03.93 - 05.00	90	M 111.921/M 111.920
C 180 T (S202)	1.8	06.96 - 09.00	90	M 111.921/M 111.920
C 200 (W202)	2.0	01.94 - 05.00	100	M 111.945/M 111.941
C 200 Kompr. (W202)	2.0	10.95 - 05.00	132	M 111.944
	2.0	11.96 - 05.00	141	M 111.944
C 200 T (S202)	2.0	06.96 - 03.01	100	M 111.945/M 111.941
C 200 T Kompr. (S202)	2.0	11.96 - 03.01	141	M 111.944
C 230 (W202)	2.3	06.96 - 06.97	110	M 111.974
C 230 Kompr. (W202)	2.3	10.95 - 05.00	142	M 111.975
C 230 T (S202)	2.3	06.96 - 06.98	110	M 111.974
C 230 T Kompr. (S202)	2.3	06.97 - 09.00	142	M 111.975
C 280 (W202)	2.8	05.93 - 05.00	142	M 104.941
CLK 200 (C208)	2.0	06.97 - 06.02	100	M 111.945/M 111.941
CLK 200 Cabrio (A208)	2.0	03.98 - 03.02	100	M 111.945/M 111.941
CLK 200 Kompr. (C208)	2.0	06.97 - 06.00	141	M 111.944
CLK 200 Kompr. Cabrio	2.0	03.98 - 06.00	141	M 111.944
CLK 230 Kompr. (C208)	2.3	06.97 - 06.00	142	M 111.975/M 111.973
CLK 230 Kompr. Cabrio	2.3	03.98 - 06.00	142	M 111.975/M 111.973
E 200 (W210)	2.0	06.95 - 08.00	100	M 111.942
E 200 T (S210)	2.0	06.96 - 08.00	100	M 111.942
E 230 (W210)	2.3	06.95 - 06.97	110	M 111.970
E 230 T (S210)	2.3	06.96 - 06.97	110	M 111.970
E 280 (W124)	2.8	06.93 - 06.95	145	M 104.942
E 280 long (W124)	2.8	06.93 - 06.95	142	M 104.942
E 280 T (S124)	2.8	06.93 - 06.96	142	M 104.942
E 280 T (S124)	2.8	06.93 - 06.96	145	M 104.942
E 320 (W124)	3.2	06.93 - 06.95	162	M 104.992
E 320 (W210)	3.2	06.95 - 06.97	162	M 104.992
E 320 Cabrio (A124)	3.2	06.93 - 03.98	162	M 104.992/M 104.995
E 320 Coupe (C124)	3.2	06.93 - 06.97	162	M 104.992
E 320 T (S124)	3.2	06.93 - 06.96	162	M 104.992
E 36 AMG Cabrio (A124)	3.6	05.94 - 03.98	200	M 104.992 (AMG 3.6)
E 36 AMG Coupe (C124)	3.6	05.94 - 06.97	200	M 104.992 (AMG 3.6)
E 36 T AMG (S124)	3.6	05.94 - 06.96	200	M 104.992 (AMG 3.6)

CL604



CL604				
MERCEDES				
G 320 (W463)	3.2	09.94 - 12.97	155	M 104.996
G 320 GE Cabrio (W463)	3.2	09.94 - 11.97	155	M 104.996
G 36 AMG (W463)	3.6	01.95 -	200	
S 280 (W140)	2.8	02.93 - 10.98	142	M 104.944
S 300 SE (W140)	2.8	01.93 - 10.98	145	M 104.944
S 300 SE,SEL / S320	3.2	03.91 - 10.98	170	M 104.990/M 104.994
SL 280 (R129)	2.8	08.93 - 10.01	142	M 104.943
SL 320 (R129)	3.2	09.93 - 10.01	170	M 104.991
SLK 200 (R170)	2.0	09.96 - 03.00	100	M 111.946
Sprinter 214 Bus	2.3	02.95 - 05.06	105	M 111.979/M 111.984
Sprinter 214 Flatbed	2.3	02.95 - 05.06	105	M 111.979/M 111.984
Sprinter 214 Van	2.3	02.95 - 05.06	105	M 111.979/M 111.984
Sprinter 314 Bus (903)	2.3	02.95 - 05.06	105	M 111.979/M 111.984
Sprinter 314 Flatbed (903)	2.3	02.95 - 05.06	105	M 111.979/M 111.984
Sprinter 314 Van (903)	2.3	02.95 - 05.06	105	M 111.979/M 111.984
Sprinter 414 Bus	2.3	02.96 - 05.06	105	M 111.979/M 111.984
Sprinter 414 Flatbed	2.3	02.96 - 05.06	105	M 111.979/M 111.984
Sprinter 414 4x4 Flatbed	2.3	05.97 - 05.06	105	M 111.979/M 111.984
Sprinter 414 Van	2.3	02.96 - 05.06	105	M 111.979/M 111.984
Sprinter 414 4x4 Van	2.3	05.97 - 05.06	105	M 111.979/M 111.984
V 200 (638/2)	2.0	02.97 - 07.03	95	M 111.948/M 111.950
V 230 (638/2)	2.3	10.96 - 07.03	105	M 111.980/M 111.978
Vito 113 Bus (638)	2.0	02.96 - 07.03	95	M 111.948/M 111.950
Vito 113 Van (638)	2.0	03.97 - 07.03	95	M 111.948/M 111.950
Vito 114 Bus (638)	2.3	12.96 - 07.03	105	M 111.980/M 111.978
Vito 114 Van (638)	2.3	03.97 - 07.03	105	M 111.980/M 111.978
SSANG YONG				
Korando (KJ)	2.0	05.97 -	94	
	2.3	05.97 -	103	
	2.3	01.99 -	105	
Korando Cabrio (KJ)	2.3	11.97 -	103	
	2.3	02.99 -	105	
Musso (FJ)	2.0	10.96 -	93	E20
	2.3	10.96 -	103	M 111.970
	3.2	06.96 -	162	M 104.992
Rexton (GAB_)	3.2	04.02 -	162	

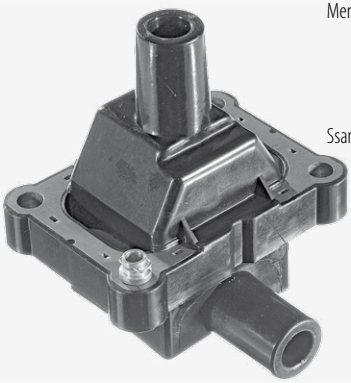
CL605				
MERCEDES				
		OEM-No.		
		Mercedes 000 158 73 03		
		000 158 78 03		
		A000 158 73 03		
		A000 158 78 03		
				
A 150	1.5	09.04 -	70	M 266.920
A 170	1.7	09.04 -	85	M 266.940
A 200	2.0	09.04 -	100	M 266.960
B 150	1.5	03.05 -	70	M 266.920
B 170	1.7	03.05 -	85	M 266.940
B 200	2.0	03.05 -	100	M 266.960
	2.0 Turbo	03.05 -	142	M 266.980

CL605				
MERCEDES				
C 240 (W202)	2.4	06.97 - 05.00	125	M 112.910
C 240 (W203)	2.6	05.00 -	125	M 112.912
C 240 4-matic (W203)	2.6	07.02 -	125	M 112.916
C 240T (S202)	2.4	06.97 - 09.00	125	M 112.910
	2.6	09.00 - 03.01	125	M 112.915
C 240T (S203)	2.6	03.01 -	125	M 112.912
C 240T 4-matic (S203)	2.6	07.02 -	125	M 112.916
C 280 (W202)	2.8	06.97 - 05.00	145	M 112.920
C 280T (S202)	2.8	06.97 - 03.01	145	M 112.920
C 32 AMG Kompr. (W203)	3.2	02.01 -	260	M 112.961
C 32T AMG Kompr. (S203)	3.2	03.01 -	260	M 112.961
C 320 (W203)	3.2	05.00 -	160	M 112.946
C 320 4-matic (W203)	3.2	07.02 -	160	M 112.953
C 320 Coupe (CL203)	3.2	09.02 -	160	M 112.946
C 320T (S203)	3.2	03.01 -	160	M 112.946
C 320T 4-matic (S203)	3.2	07.02 -	160	M 112.953
C 350 (W203)	3.5	01.05 -	200	M 272.960
C 350 4-matic (W203)	3.5	01.05 -	200	M 272.970
C 350 Coupe (CL203)	3.5	01.05 -	200	M 272.960
C 350T (S203)	3.5	01.05 -	200	M 272.960
C 350T 4-matic (S203)	3.5	01.05 -	200	M 272.970
C 43 AMG (S202)	4.3	08.97 - 03.01	225	M 113.944
C 43 AMG (W202)	4.3	08.97 - 05.00	225	M 113.944
C 55 AMG (W203)	5.4	02.04 -	270	M 113.988
C 55T AMG (S203)	5.4	02.04 -	270	M 113.988
CL 500 Coupe (C215)	5.0	03.99 - 03.06	225	M 113.960
CL 55 AMG Coupe (C215)	5.4	10.99 - 03.06	265	M 113.986
CL 55 AMG Kompr. Coupe	5.4	06.02 - 03.06	368	M 113.991
CLK 240 (C209)	2.6	06.02 -	125	M 112.912
CLK 240 Cabrio (A209)	2.6	02.03 -	125	M 112.912
CLK 320 (C208)	3.2	06.97 - 06.02	160	M 112.940
CLK 320 (C209)	3.2	06.02 -	160	M 112.955
CLK 320 Cabrio (A208)	3.2	03.98 - 03.02	160	M 112.940
CLK 320 Cabrio (A209)	3.2	02.03 -	160	M 112.955
CLK 430 (C208)	4.3	07.98 - 06.02	205	M 113.943
CLK 430 Cabrio (A208)	4.3	09.98 - 03.02	205	M 113.943
CLK 500 (C209)	5.0	06.02 -	225	M 113.968
CLK 500 Cabrio (A209)	5.0	02.03 -	225	M 113.968
CLK 55 AMG (C208)	5.4	08.99 - 06.02	255	M 113.981/M 113.984
CLK 55 AMG (C209)	5.4	09.02 -	270	M 113.987
CLK 55 AMG Cabrio	5.4	01.00 - 03.02	255	M 113.981/M 113.984
	5.4	02.03 -	270	M 113.987
CLS 500 (C219)	5.0	10.04 -	225	M 113.967
CLS 55 AMG (C219)	5.4	01.05 -	350	M 113.990
E 240 (W210)	2.4	06.97 - 08.00	125	M 112.911
	2.6	08.00 - 03.02	125	M 112.914
E 240 (W211)	2.6	03.02 -	130	M 112.917/M 112.913
E 240 4-matic (W211)	2.6	03.03 -	130	M 112.917
E 240T (S210)	2.4	06.97 - 03.03	125	M 112.911
	2.6	08.00 - 03.03	125	M 112.914
E 240T (S211)	2.6	03.03 -	130	M 112.913
E 240T 4-matic (S211)	2.6	07.03 -	130	M 112.917
E 280 (W210)	2.8	12.96 - 03.02	150	M 112.921
E 280 4-matic (W210)	2.8	12.96 - 03.02	150	M 112.921
E 280T (S210)	2.8	12.96 - 03.03	150	M 112.921
E 280T 4-matic (S210)	2.8	12.96 - 03.03	150	M 112.921
E 320 (W210)	3.2	06.97 - 03.02	165	M 112.941
E 320 (W211)	3.2	03.02 -	165	M 112.949
E 320 4-matic (W210)	3.2	06.97 - 03.02	165	M 112.941
E 320 4-matic (W211)	3.2	03.03 -	165	M 112.954



CL605				
MERCEDES				
E 320T (S210)	3.2	12.96 - 03.03	165	M 112.941
E 320T (S211)	3.2	03.03 -	165	M 112.949
E 320T 4-matic ((S210)	3.2	12.96 - 03.03	165	M 112.941
E 320T 4-matic (S211)	3.2	07.03 -	165	M 112.954
E 430 (W210)	4.3	06.97 - 03.02	205	M 113.940
E 430 4-matic (W210)	4.3	05.99 - 03.02	205	M 113.940
E 430T (S210)	4.3	06.97 - 03.03	205	M 113.940
E 430T 4-matic (S210)	4.3	05.99 - 03.03	205	M 113.940
E 500 (W211)	5.0	03.02 -	225	M 113.967
E 500 4-matic (W211)	5.0	10.03 -	225	M 113.969
E 500T (S211)	5.0	10.03 -	225	M 113.967
E 500T 4-matic (S211)	5.0	10.03 -	225	M 113.969
E 55 AMG (W210)	5.4	08.97 - 03.02	260	M 113.980
E 55 AMG Kompr. (W211)	5.4	10.02 -	350	M 113.990
E 55T AMG (S210)	5.4	08.97 - 03.03	260	M 113.980
E 55T AMG Kompr. (S211)	5.4	07.03 -	350	M 113.990
ML 320 (W163)	3.2	02.98 - 08.02	160	M 112.942
ML 350 (W163)	3.7	08.02 - 06.05	180	M 112.970
	3.7	02.03 - 06.05	173	M 112.970
ML 430 (W163)	4.3	02.98 - 06.05	200	M 113.942
ML 500 (W163)	5.0	09.01 - 06.05	215	M 113.964/M 113.965
ML 55 AMG (W163)	5.5	02.00 - 06.05	255	M 113.981
S 280 (W220)	2.8	10.98 - 08.05	150	M 112.922
S 320 (W220)	3.2	10.98 - 08.05	165	M 112.944
S 350 (W220)	3.7	09.02 - 08.05	180	M 112.972
S 350 4-matic (W220)	3.7	06.03 - 08.05	180	M 112.975
S 430 (W220)	4.3	10.98 - 08.05	205	M 113.941
S 430 4-matic (W220)	4.3	09.02 - 08.05	205	M 113.948
S 500 (W220)	5.0	10.98 - 08.05	225	M 113.960
S 500 4-matic (W220)	5.0	09.02 - 08.05	225	M 113.966
S 55 AMG (W220)	5.4	04.99 - 08.05	265	M 113.986
S 55 AMG Kompr. (W220)	5.4	06.02 - 08.05	368	M 113.991
SL 280 (R129)	2.8	05.98 - 10.01	150	M 112.923/M 112.925
SL 320 (R129)	3.2	05.98 - 10.01	165	M 112.943
SL 350 (R230)	3.7	03.03 -	180	M 112.973
SL 500 (R129)	5.0	05.98 - 10.01	225	M 113.961
SL 500 (R230)	5.0	10.01 -	225	M 113.963
SL 55 AMG (R230)	5.4	10.01 - 06.02	350	M 113.992
SL 55 AMG Kompr. (R230)	5.4	06.02 -	368	M 113.992
SLK 32 AMG Kompr. (R170)	3.2	03.01 - 04.04	260	M 112.960
SLK 320 (R170)	3.2	03.00 - 04.04	160	M 112.947
SLK 55 AMG (R171)	5.4	06.04 -	265	M 113.989
SLR (R199)	5.4	04.04 -	460	M 155.980
Viano (W639)	3.2	09.03 -	140	M 112.951
	3.2	09.03 -	160	M 112.951
	3.7	06.04 -	170	M 112.976
Vito 119 Bus (W639)	3.2	09.03 -	140	M 112.951
Vito 119 Van (W639)	3.2	09.03 -	140	M 112.951
Vito 122 Bus (W639)	3.2	09.03 -	160	M 112.951
Vito 122 Van (W639)	3.2	09.03 -	160	M 112.951
Vito 123 Bus (W639)	3.7	06.04 -	170	M 112.976

CL606				OEM-No.
				Mercedes 000 158 71 03
				000 158 75 03
				A 000 158 71 03
				A 000 158 75 03
				Ssang Yong 00015 87003



1 coil per cylinder

DAEWOO			
Korando (KJ)	2.3	01.99 -	105
	3.2	01.99 -	156 M 104.995
Musso (FJ)	2.3	01.99 -	103 M 111.970
	3.2	01.99 -	162 M 104.992

MERCEDES			
C 180 (W202)	1.8	11.94 - 05.00	89 M 111.921
	1.8	03.93 - 05.00	90 M 111.921/M 111.920
C 180T (S202)	1.8	06.96 - 09.00	90 M 111.921/M 111.920
C 200 (W202)	2.0	01.94 - 05.00	100 M 111.945/M 111.941
C 200 Kompr. (W202)	2.0	10.95 - 05.00	132 M 111.944
	2.0	11.96 - 05.00	141 M 111.944
C 200T (S202)	2.0	06.96 - 03.01	100 M 111.945/M 111.941
C 200T Kompr. (S202)	2.0	11.96 - 03.01	141 M 111.944
C 230 (W202)	2.3	06.96 - 06.97	110 M 111.974
C 230 Kompr. (W202)	2.3	10.95 - 05.00	142 M 111.975
C 230T (S202)	2.3	06.96 - 06.98	110 M 111.974
C 230T Kompr. (S202)	2.3	06.97 - 09.00	142 M 111.975
C 280 (W202)	2.8	05.93 - 05.00	142 M 104.941
C 36 AMG (W202)	3.6	05.94 - 05.00	206 M 104.941 (AMG 3.6)
CLK 200 (C208)	2.0	06.97 - 06.02	100 M 111.945/M 111.941
CLK 200 Cabrio (A208)	2.0	03.98 - 03.02	100 M 111.945/M 111.941
CLK 200 Kompr. (C208)	2.0	06.97 - 06.00	141 M 111.944
CLK 200 Kompr. Cabrio	2.0	03.98 - 06.00	141 M 111.944
CLK 230 Kompr. (C208)	2.3	06.97 - 06.00	142 M 111.975/M 111.973
CLK 230 Kompr. Cabrio	2.3	03.98 - 06.00	142 M 111.975/M 111.973
E 200 (W210)	2.0	06.95 - 08.00	100 M 111.942
E 200 Kompr. (W210)	2.0	06.97 - 03.02	137 M 111.947
E 200T (S210)	2.0	06.96 - 08.00	100 M 111.942
E 200T Kompr. (S210)	2.0	06.97 - 03.03	137 M 111.947
E 230 (W210)	2.3	06.95 - 06.97	110 M 111.970
E 230T (S210)	2.3	06.96 - 06.97	110 M 111.970
ML 230 (W163)	2.3	02.98 - 06.05	110 M 111.977
S 280 (W140)	2.8	02.93 - 10.98	142 M 104.944
S 300 SE (W140)	2.8	01.93 - 10.98	145 M 104.944
S 300 SE,SEL / S320	3.2	03.91 - 10.98	170 M 104.994
SLK 200 (R170)	2.0	09.96 - 03.00	100 M 111.946
SLK 200 Kompr. (R170)	2.0	10.96 - 03.00	141 M 111.943
SLK 230 Kompr. (R170)	2.3	09.96 - 03.00	142 M 111.973
Sprinter 214 Bus	2.3	02.95 - 05.06	105 M 111.979/M 111.984
Sprinter 214 Flatbed	2.3	02.95 - 05.06	105 M 111.979/M 111.984
Sprinter 214 Van	2.3	02.95 - 05.06	105 M 111.979/M 111.984
Sprinter 214 NGT Bus	2.3	04.00 - 05.06	92 M 111.984
Sprinter 214 NGT Flatbed	2.3	04.00 - 05.06	92
Sprinter 214 NGT Van	2.3	04.00 - 05.06	92 M 111.984
Sprinter 314 Bus	2.3	02.95 - 05.06	105 M 111.979/M 111.984
Sprinter 314 4x4 Bus	2.3	08.02 - 05.06	105 M 111.979/M 111.984



CL606

MERCEDES

Sprinter 314 Flatbed	2.3	02.95 - 05.06	105	M 111.979/M 111.984
Sprinter 314 4x4 Flatbed	2.3	08.02 - 05.06	105	M 111.979/M 111.984
Sprinter 314 Van	2.3	02.95 - 05.06	105	M 111.979/M 111.984
Sprinter 314 4x4 Van	2.3	08.02 - 05.06	105	M 111.979/M 111.984
Sprinter 314 NGT Bus	2.3	04.00 - 05.06	92	M 111.984
Sprinter 314 NGT Flatbed	2.3	04.00 - 05.06	92	
Sprinter 314 NGT Van	2.3	04.00 - 05.06	92	
Sprinter 414 Bus	2.3	02.96 - 05.06	105	M 111.979/M 111.984
Sprinter 414 Flatbed	2.3	02.96 - 05.06	105	M 111.979/M 111.984
Sprinter 414 4x4 Flatbed	2.3	05.97 - 05.06	105	M 111.979/M 111.984
Sprinter 414 Van	2.3	02.96 - 05.06	105	M 111.979/M 111.984
Sprinter 414 4x4 Van	2.3	05.97 - 05.06	105	M 111.979/M 111.984
V 200 (638/2)	2.0	02.97 - 07.03	95	M 111.948/M 111.950
V 230 (638/2)	2.3	10.96 - 07.03	105	M 111.980/M 111.978
Vito 113 Bus (638)	2.0	02.96 - 07.03	95	M 111.948/M 111.950
Vito 113 Van (638)	2.0	03.97 - 07.03	95	M 111.948/M 111.950
Vito 114 Bus (638)	2.3	12.96 - 07.03	105	M 111.980/M 111.978
Vito 114 Van (638)	2.3	03.97 - 07.03	105	M 111.980/M 111.978

SSANG YONG

Korando (KJ)	2.0	05.97 -	94	
	2.3	05.97 -	103	
	2.3	01.99 -	105	
Korando Cabrio (KJ)	2.3	11.97 -	103	
	2.3	02.99 -	105	
Musso (FJ)	2.0	10.96 -	93	E20
	2.3	10.96 -	103	M 111.970
	3.2	06.96 -	162	M 104.992
Rexton (GAB_)	3.2	04.02 -	162	

CL607



1 coil per cylinder

SMART

Cabrio	0.6	03.00 - 01.04	40	M 160 E6AL B03
	0.6	01.01 - 01.04	45	M 160 E6AL B05
	0.6	06.02 - 01.04	52	
	0.7	01.03 - 01.04	45	
	0.7	01.03 - 01.04	55	
	City-Coupe (MC01)	0.6	07.98 - 01.04	40
0.6		01.01 - 01.04	45	M 160 E6AL B05
0.6		07.98 - 01.04	33	M 160 E6AL B04
0.6		06.02 - 01.04	52	
0.7		01.03 - 01.04	37	
0.7		01.03 - 01.04	45	
Fortwo Cabrio (450.432)	0.7	01.04 -	45	
	0.7	01.04 -	55	

OEM-No.

Smart 000 3100 V003
000 3100 V004
000 3100 V005
C 000 3100 V003
C 000 3100 V004
C 000 3100 V005

CL607

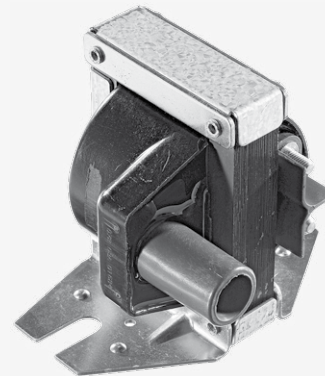
SMART

Fortwo Coupe (450.330)	0.7	01.04 -	37	
	0.7	01.04 -	45	
	0.7	01.04 -	55	
Roadster (452.432)	0.7	04.03 -	45	
Roadster (452.434)	0.7	04.03 -	60	
Roadster (452.437)	0.7 Brabus	12.03 -	74	
Roadster Coupe	0.7	06.03 -	45	
	0.7	04.03 -	60	
	0.7 Brabus	12.03 -	74	

CL609

OEM-No.

Mercedes 000 158 45 03
000 158 48 03
000 158 61 03



MERCEDES

190 E (W201)	2.3	09.85 - 12.87	125	M 102.983
	2.3	09.85 - 08.88	130	M 102.983
	2.3	04.84 - 01.87	136	M 102.983
	2.5	03.89 - 08.93	143	M 102.991
190 E II (W201)	2.5	09.88 - 08.93	150	M 102.990
	2.5	05.90 - 08.93	173	M 102.992
200 (W124)	2.0	01.86 - 05.90	75	M 102.922
	2.0	01.86 - 05.90	77	M 102.922
	2.0	12.85 - 05.90	80	M 102.922
200 E (W124)	2.0	09.88 - 08.92	87	M 102.963
	2.0	09.88 - 12.89	90	M 102.963
200 T (S124)	2.0	01.86 - 05.90	77	M 102.922
	2.0	09.85 - 08.89	80	M 102.922
200 TE (S124)	2.0	09.88 - 08.92	87	M 102.963
	2.0	09.88 - 12.89	90	M 102.962
230 CE Coupe (C124)	2.3	03.87 - 12.92	97	M 102.982
	2.3	03.87 - 12.92	100	M 102.982
	2.3 cat	06.89 - 12.92	97	M 102.982
230 E (W124)	2.3	12.84 - 03.92	97	M 102.982
	2.3	01.85 - 06.93	100	M 102.982
	2.3 cat	06.89 - 06.93	97	M 102.982
230 GE (W463)	2.3	06.90 - 06.93	93	M 102.989
230 GE Cabrio (W463)	2.3	06.90 - 02.93	93	M 102.989
	2.3	09.85 - 08.92	97	M 102.982
230 TE (S124)	2.3	09.85 - 08.92	100	M 102.982
	2.3 cat	06.89 - 08.92	97	M 102.982
260 E (W124)	2.6	09.85 - 08.92	118	M 103.940
	2.6	09.85 - 12.89	122	M 103.940
260 E 4-matic (W124)	2.6	09.86 - 08.92	118	M 103.943
	2.6	12.86 - 12.89	122	M 103.940
260 SE (W126)	2.6	09.85 - 06.91	118	M 103.941
	2.6	09.85 - 06.91	122	M 103.941
300 GE (W463)	3.0	06.90 -	125	M 103.987
	3.0	06.90 -	128	M 103.987

CL609



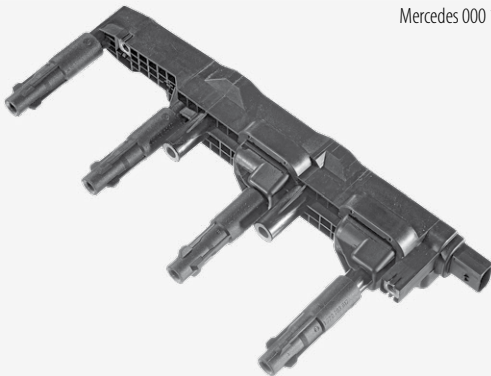
CL609

MERCEDES

300 GE Cabrio (W463)	3.0	09.89 - 09.97	125	M 103.987
300 SE,SEL (W126)	3.0	01.86 - 06.91	132	M 103.981
	3.0	09.85 - 12.89	138	M 103.981
380 SE,SEL (W126)	3.8	12.79 - 08.85	150	M 116.963
380 SEC (C126)	3.8	10.81 - 07.85	150	M 116.963
500 E (W124)	5.0	01.91 - 06.93	240	M 119.974
500 E AMG (W124)	6.0	01.92 - 06.93	275	(ch.No.-B568955)
500 SE,SEL (W126)	5.0	12.79 - 08.85	170	M 117.961/M 117.963
	5.0	12.79 - 08.85	177	M 117.961/M 117.963
500 SEC (C126)	5.0	10.81 - 08.85	170	M 117.963
500 SL (R107)	5.0	05.80 - 12.85	170	M 117.960
	5.0	05.80 - 12.81	177	M 117.960
S 400 SE,SEL / S420	4.2	02.91 - 10.98	210	M 119.971
S 420 (W140)	4.2	01.93 - 10.98	205	M 119.971
S 500 (W140)	5.0	01.93 - 10.98	235	M 119.970/M 119.980
S 500 SE,SEL (W140)	5.0	02.91 - 10.98	240	M 119.970
S 500 SEC/CL Coupe	5.0	10.92 - 02.99	235	M 119.970
S 600 (W140)	6.0	01.93 - 10.98	290	M 120.982/M 120.980
S 600 SE,SEL (W140)	6.0	04.91 - 12.92	300	M 120.982/M 120.980
SL 500 (R129)	5.0	09.89 - 08.92	240	M 119.960/M 119.972

CL610

OEM-No.
Mercedes 000 150 13 80

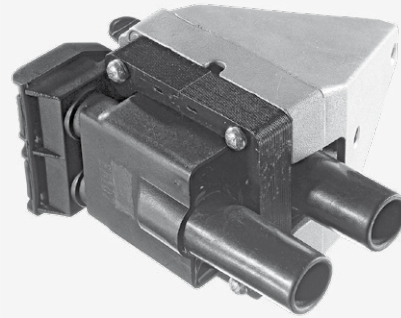


MERCEDES

A 140 (W168)	1.4	07.97 - 08.04	60	M 166.940
	1.6	01.01 - 08.04	60	M 166.960
A 160 (W168)	1.4	07.97 - 08.04	75	M 166.960
A 190 (W168)	1.9	03.99 - 08.04	92	M 166.990
A 210 (W168)	2.1	03.02 - 08.04	103	M 166.995
Vaneo (414)	1.6	02.02 -	60	M 166.961
	1.6	02.02 -	75	M 166.961
	1.9	02.02 -	92	M 166.991

CL611

OEM-No.
Mercedes 000 150 04 80
000 158 68 03
A 000 150 04 80
A 000 158 68 03

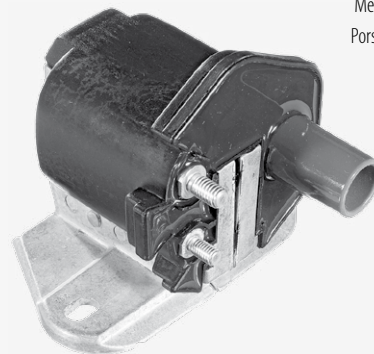


MERCEDES

200 E (W124)	2.0	10.92 - 06.93	100	M 111.940
200 TE (S124)	2.0	10.92 - 06.93	100	M 111.940
220 E (W124)	2.2	10.92 - 06.93	110	M 111.960
220 CE Coupe (C124)	2.2	10.92 - 05.93	110	M 111.960
220 TE (S124)	2.2	10.92 - 05.93	110	M 111.960
C 180 (W202)	1.8	03.93 - 05.00	90	M 111.921/M 111.920
C 180 T (S202)	1.8	06.96 - 09.00	90	M 111.921/M 111.920
C 200 (W202)	2.0	01.94 - 05.00	100	M 111.945/M 111.941
C 200 T (S202)	2.0	06.96 - 03.01	100	M 111.945/M 111.941
C 220 (W202)	2.2	03.93 - 05.00	110	M 111.961
E 200 (W124)	2.0	06.93 - 06.95	100	M 111.940
E 200 Cabrio (A124)	2.0	06.93 - 03.98	100	M 111.940
E 200 Coupe (C124)	2.0	06.93 - 06.97	100	M 111.940
E 200 T (S124)	2.0	06.93 - 06.96	100	M 111.940
E 220 (W124)	2.2	06.93 - 06.95	110	M 111.960
E 220 Cabrio (A124)	2.2	06.93 - 03.98	110	M 111.960
E 220 Coupe (C124)	2.2	06.93 - 06.97	110	M 111.960
E 220 T (S124)	2.2	06.93 - 06.96	110	M 111.960

CL612

OEM-No.
Mercedes 000 158 64 03
Porsche 959 602 502 00



MERCEDES

300 E (W124)	3.0	09.88 - 08.92	162	M 104.980
300 CE Cabrio (A124)	3.0	04.92 - 06.93	162	M 104.980
300 CE Coupe (C124)	3.0	09.89 - 12.92	162	M 104.980
300 GE (W463)	3.0	08.90 - 07.93	128	M 103.987
300 TE (S124)	3.0	09.89 - 08.92	162	M 104.980
400 E (W124)	4.2	10.92 - 06.93	205	M 119.975
420 SE,SEL (W126)	4.2	10.85 - 06.91	150	M 116.965
	4.2	10.85 - 12.87	160	M 116.965
	4.2	10.85 - 06.91	165	M 116.965
	4.2	10.85 - 12.87	170	M 116.965
420 SEC (C126)	4.2	10.85 - 06.91	150	M 116.965
	4.2	10.85 - 12.87	160	M 116.965

CL612



CL612
MERCEDES

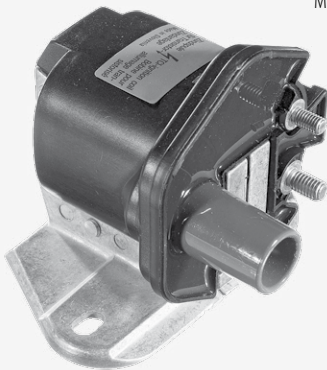
420 SEC (C126)	4.2	10.85 - 06.91	165	M 116.965
500 E (W124)	5.0	01.91 - 06.93	240	M 119.974
500 E AMG (W124)	6.0	01.92 - 06.93	275 (ch.No.B568955-)	
500 SE,SEL (W126)	5.0	09.85 - 06.91	164	M 117.965
	5.0	09.85 - 06.91	180	M 117.965
	5.0	09.87 - 06.91	185	M 117.965
	5.0	09.87 - 06.91	195	M 117.965
	5.0 cat	06.89 - 06.91	185	M 117.965
500 SEC (C126)	5.0	10.85 - 06.91	164	M 117.965
	5.0	09.85 - 06.91	180	M 117.965
	5.0	08.87 - 06.91	185	M 117.965
	5.0	09.85 - 06.91	195	M 117.965
	5.0 cat	06.89 - 06.91	185	M 117.965
560 SE,SEL (W126)	5.6	10.85 - 06.91	178	M 117.968
	5.6	10.85 - 12.87	200	M 117.968
	5.6	08.87 - 06.91	205	M 117.968
	5.6	10.85 - 06.91	220	M 117.968
560 SEC (C126)	5.6	10.85 - 06.91	178	M 117.968
	5.6	10.85 - 12.87	200	M 117.968
	5.6	10.85 - 06.91	205	M 117.968
	5.6	10.85 - 12.89	220	M 117.968
E 420 (W124)	4.2	06.93 - 06.95	205	M 119.975
E 500 (W124)	5.0	06.93 - 06.95	235	M 119.974
G 500 E (W463)	5.0	09.93 -	177	M 117.965
S 600 (W140)	6.0	01.93 - 10.98	290	M 120.982/M 120.980
S 600 SE,SEL (W140)	6.0	04.91 - 12.92	300	M 120.982/M 120.980
S 600 SEC/CL Coupe	6.0	09.92 - 02.99	290	M 120.982/M 120.980
SL 500 (R129)	5.0	09.92 - 10.01	235	M 119.982/M 119.972
SL 600 (R129)	6.0	07.92 - 10.01	290	M 120.983/M 120.981

PORSCHE

959	2.8	01.86 - 04.91	330	959.50
-----	-----	---------------	-----	--------

CL613

OEM-No.
Mercedes 000 158 65 03
A 000 158 65 03


MERCEDES

400 E (W124)	4.2	10.92 - 06.93	205	M 119.975
420 SL (R107)	4.2	01.86 - 08.89	150	M 116.964
	4.2	01.86 - 08.89	160	M 116.964
500 E (W124)	5.0	01.91 - 06.93	240	M 119.974
500 E AMG (W124)	6.0	01.92 - 06.93	275 (ch.No.B568956-)	
500 SL (R107)	5.0	01.86 - 08.89	164	M 117.964
	5.0	01.86 - 08.89	180	M 117.964/M 117.960
E 420 (W124)	4.2	06.93 - 06.95	205	M 119.975
E 500 (W124)	5.0	06.93 - 06.95	235	M 119.974
E 60 AMG (W124)	6.0	05.94 - 06.95	280	
S 300 SE,SEL /S320	3.2	03.91 - 10.98	170	M 104.990
S 400 SE,SEL /S420	4.2	09.92 - 09.98	210	M 119.971

CL613
MERCEDES

S 420 SEC/CL (C140)	4.2	10.94 - 02.99	205	M 119.971/M 119.981
S 500 (W140)	5.0	06.93 - 10.98	235	M 119.970/M 119.980
S 600 (W140)	6.0	01.93 - 10.98	290	M 120.982/M 120.980
S 600 SE,SEL (W140)	6.0	04.91 - 12.92	300	M 120.982/M 120.980
S 600 SEC/CL (C140)	6.0	09.92 - 02.99	290	M 120.982/M 120.980
SL 300 (R129)	3.0	03.89 - 07.93	170	M 104.981
SL 500 (R129)	5.0	09.92 - 10.01	235	M 119.982/M 119.972
SL 600 (R129)	6.0	07.92 - 10.01	290	M 120.983/M 120.981

CL614

OEM-No.
Mercedes 000 158 50 03
000 158 62 03


MERCEDES

190 E (W201)	2.3	09.85 - 12.87	125	M 102.983	
	2.3	09.85 - 08.88	130	M 102.983	
	2.3	04.84 - 01.87	136	M 102.983	
	2.5	03.89 - 08.93	143	M 102.991	
	2.5	09.88 - 08.93	150	M 102.990	
190 E II (W201)	2.5	05.90 - 08.93	173	M 102.992	
	2.0 (W124)	2.0	01.86 - 05.90	75	M 102.922
	2.0	01.86 - 05.90	77	M 102.922	
	2.0	12.85 - 05.90	80	M 102.922	
	2.0 T (S124)	2.0	01.86 - 05.90	77	M 102.922
	2.0	09.85 - 08.89	80	M 102.922	
	200 TE (S124)	2.0	09.88 - 08.92	87	M 102.963
	2.0	09.88 - 12.89	90	M 102.962	
	230 CE Coupe (C124)	2.3	03.87 - 12.92	97	M 102.982
	2.3	03.87 - 12.92	100	M 102.982	
	2.3 cat	06.89 - 12.92	97	M 102.982	
	230 E (W124)	2.3	09.88 - 08.92	87	M 102.963
2.3		09.88 - 12.89	90	M 102.963	
2.3		12.84 - 03.92	97	M 102.982	
2.3		01.85 - 06.93	100	M 102.982	
2.3 cat		06.89 - 06.93	97	M 102.982	
230 GE (W463)	2.3	06.90 - 06.93	93	M 102.989	
230 GE Cabrio (W463)	2.3	06.90 - 02.93	93	M 102.989	
230 TE (S124)	2.3	09.85 - 08.92	97	M 102.982	
	2.3	09.85 - 08.92	100	M 102.982	
	2.3 cat	06.89 - 08.92	97	M 102.982	
260 E (W124)	2.6	09.85 - 08.92	118	M 103.940	
	2.6	09.85 - 12.89	122	M 103.940	
260 SE (W126)	2.6	09.85 - 06.91	118	M 103.941	
	2.6	09.85 - 06.91	122	M 103.941	
	300 GE (W463)	3.0	06.90 -	125	M 103.987
	3.0	06.90 - 07.93	128	M 103.987	
	300 GE Cabrio (W463)	3.0	09.89 - 09.97	125	M 103.987
300 SE,SEL (W126)	3.0	01.86 - 06.91	132	M 103.981	
	3.0	09.85 - 12.89	138	M 103.981	

CL614

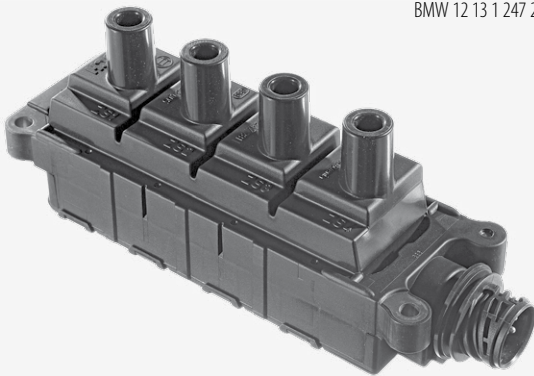

CL614

MERCEDES

500 E (W124)	5.0	01.91 - 06.93	240	M 119.974
500 E AMG (W124)	6.0	01.92 - 06.93	275	(ch.No.-B568955)
E 60 AMG (W124)	6.0	05.94 - 06.95	280	
S 400 SE,SEL / S420	4.2	02.91 - 05.93	210	M 119.971
S 420 (W140)	4.2	06.93 - 09.98	205	M 119.971
S 500 (W140)	5.0	06.93 - 09.98	235	M 119.970/M 119.980
S 500 SE,SEL (W140)	5.0	02.91 - 10.98	240	M 119.970
S 500 SEC/CL Coupe	5.0	10.92 - 02.99	235	M 119.970
SL 300 (R129)	3.0	03.89 - 08.93	140	M 103.984
SL 500 (R129)	5.0	09.89 - 08.92	240	M 119.960/M 119.972

CL615

OEM-No.
BMW 12 13 1 247 281

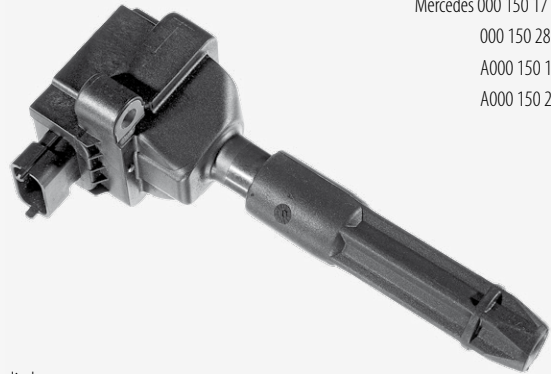


BMW

316 i (E36)	1.6	07.93 - 02.98	75	M 43 B 16
316 i Compact (E36)	1.6	03.94 - 08.00	75	M 43 B 16
	1.9	12.98 - 08.00	77	M43164E3 / M43B19TU
316 i Coupe (E36)	1.6	09.93 - 04.99	75	M 43 B 16
316 i Touring (E36)	1.6	01.96 - 10.99	75	M 43 B 16
316 g Compact (E36)	1.6	12.95 - 08.00	75	
316 i (E46)	1.6	04.00 - 02.05	77	M 43 B 16
	1.9	09.98 - 02.05	77	M43164E3 / M43B19TU
316 Ci Coupe (E46)	1.6	04.00 -	77	M 43 B 16 (16 4 E3)
318 i (E36)	1.8	10.93 - 02.98	85	M 43 B 18
318 i Cabrio (E36)	1.8	01.94 - 04.99	85	M 43 B 18
318 i Touring (E36)	1.8	07.95 - 10.99	85	M 43 B 18
318 is (E36)	1.8	03.93 - 09.97	103	M 42 B 18
	1.9	09.95 - 02.98	103	M 44 B 19
318 is Coupe (E36)	1.8	03.92 - 10.95	103	M 42 B 18
	1.9	09.95 - 04.99	103	M 44 B 19
318 ti Compact (E36)	1.8	11.94 - 08.95	103	M 42 B 18
	1.9	07.95 - 08.00	103	M 44 B 19
318 i (E46)	1.9	02.98 - 09.01	87	M43B19 / M43B19TU
318 Ci Coupe (E46)	1.9	11.99 - 09.01	87	M 43 B 19
318 i Touring (E46)	1.9	10.99 - 09.01	87	M43B19 / M43B19TU
518 i (E34)	1.8	08.89 - 09.95	85	M 43 B 18
518 i Combi (E34)	1.8	09.94 - 01.97	85	M 43 B 18
518 g Combi (E34)	1.8	11.95 - 06.96	85	M 43 B 18
Z3	1.8	10.95 - 10.98	85	M 43 B 18
	1.9	07.98 - 01.03	87	M43B19/M43194E1
	1.9	10.95 - 03.99	103	M 44 B 19

CL616

OEM-No.
Mercedes 000 150 17 80
000 150 28 80
A000 150 17 80
A000 150 28 80



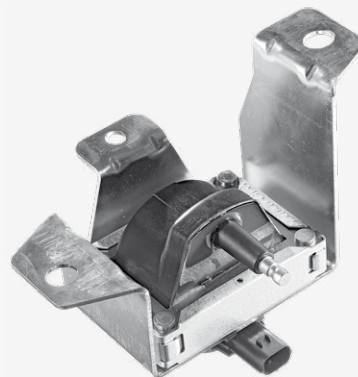
1 coil per cylinder

MERCEDES

C 180 (W203)	2.0	10.00 - 05.02	95	M 111.951
C 180 Coupe (CL203)	2.0	03.01 - 05.02	95	M 111.951
C 180T (S202)	2.0	09.00 - 03.01	95	M 111.952
C 180T (S203)	2.0	03.01 - 05.02	95	M 111.951
C 200 Kompr. (W203)	2.0	05.00 - 05.02	120	M 111.955
C 200 Kompr. Coupe	2.0	03.01 - 05.02	120	M 111.955
C 200T Kompr. (S202)	2.0	09.00 - 03.01	120	M 111.956
C 200T Kompr. (S203)	2.0	03.01 - 05.02	120	M 111.955
C 230 Kompr. Coupe	2.3	03.01 - 05.02	145	M 111.981
CLK 200 Kompr. (C208)	2.0	06.00 - 06.02	120	M 111.956
CLK 200 Kom. Cabrio	2.0	06.00 - 03.02	120	M 111.956
CLK 230 Kompr. (C208)	2.3	06.00 - 06.02	145	M 111.982
CLK 230 Kompr. Cabrio	2.3	06.00 - 03.02	145	M 111.982
E 200 Kompr. (W210)	2.0	08.00 - 03.02	120	M 111.957
E 200T Kompr. (S210)	2.0	08.00 - 03.03	120	M 111.957
SLK 200 Kompr. (R170)	2.0	03.00 - 04.04	120	M 111.958
SLK 230 Kompr. (R170)	2.3	03.00 - 04.04	145	M 111.983

CL700

OEM-No.
Rover GCL 201
NEC100630



LANDROVER

Freelander (LN)	1.8 i 16V	02.98 - 11.00	88	
Freelander Soft Top	1.8 i 16V	02.98 -	88	18 K4F

MG

MGF (RD)	1.8 i 16V	03.95 - 03.02	88	18 K4F
----------	-----------	---------------	----	--------

ROVER

214 i (RF)	1.4	11.95 - 03.00	55	14 K2F
214 Si (RF)	1.4	11.95 - 03.00	76	14 K4F
216 Cabrio (XW)	1.6i 16V	01.96 - 11.99	82	16 K4F
216 Si (RF)	1.6	11.95 - 03.00	82	16 K4F
400 Tourer (XW)	1.6i	05.94 - 11.98	82	D 16 Z2
	1.6i	05.94 - 11.98	90	D 16 A8
414 Si (RT)	1.4	05.95 - 03.00	76	14 K4F

CL700

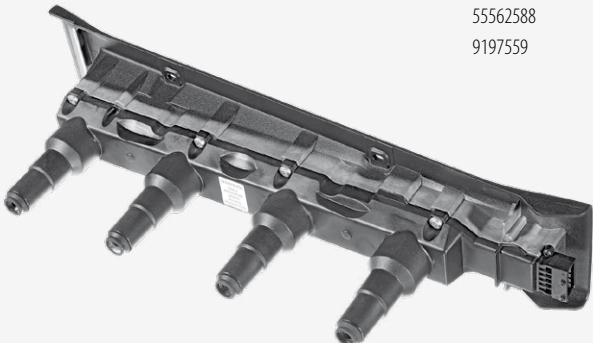


CL700				
ROVER				
414 Si Hatchback (RT)	1.4	05.95 - 03.00	76	14 K4F
416 Si (RT)	1.6	05.95 - 03.00	82	16 K4F
	1.6	05.95 - 03.00	83	D 16 Y2
416 Si Hatchback (RT)	1.6	05.95 - 03.00	82	16 K4F
	1.6	06.95 - 03.00	83	D 16 Y2
Coupe	1.6 16V	03.96 - 11.99	82	16 K4F

CL702	
	OEM-No.
	Landrover NEC 000 070
	NEC 000 070 L
	NEC 000 110 L
	Rover NEC 000070
	NEC 000110

1 coil per cylinder

LANDROVER				
Freelander (LN)	2.5 V6	11.00 -	130	25 K4F
MG				
MG ZT 160	2.5	06.01 -	118	25 K4F
MG ZT 190	2.5	06.01 -	140	25 K4F
MG ZT-T 160	2.5	10.01 -	118	25 K4F
MG ZT-T 190	2.5	10.01 -	140	25 K4F
PORSCHE				
911 Cabrio (996)	3.6 Carrera	10.01 - 08.05	235	M 96.03
	3.6 Carrera 4	10.01 - 08.05	235	M 96.03
ROVER				
75 (RJ)	2.0 V6	02.99 - 06.04	110	20 K4F
	2.5 V6	10.01 -	130	25 K4F
75 Tourer (RJ)	2.0 V6	08.01 -	110	20 K4F
	2.5 V6	08.01 - 04.05	130	KV 6

CL705	
	OEM-No.
	Saab 55559955
	55562588
	9197559

SAAB				
9-3 (YS3D)	2.0 i	02.98 - 09.02	96	B204I
	2.0 SE Turbo	02.98 - 09.02	147	B204R
	2.0 Turbo	10.98 - 09.02	113	B204E
	2.0 Turbo	01.01 - 09.02	110	B205E
	2.3 i	02.98 - 09.02	110	B234I
	2.3 Turbo	10.98 - 09.02	165	B235R

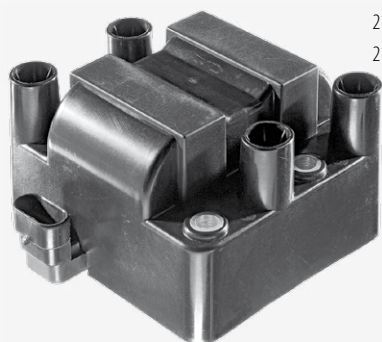
CL705				
SAAB				
9-3 Cabrio (YS3D)	2.0 i	02.98 - 08.03	96	B204I
	2.0 SE Turbo	02.98 - 08.03	147	B204R
	2.0 Turbo	10.98 - 08.03	113	B204E
	2.0 Turbo	01.01 - 08.03	110	B205E
	2.0 Turbo	02.98 - 08.03	136	B205L/B204L
	2.3 i	02.98 - 08.03	110	B234I
9-5 (YS3E)	2.0	07.00 -	136	B205L
	2.0T	09.97 -	110	B205E
	2.3T	09.97 -	125	B235E
	2.3T	01.01 -	136	B235E
	2.3 Turbo	09.01 -	184	B235R
	9-5 Combi (YS3E)	2.0	07.00 - 07.01	136
2.0T		10.98 -	110	B205E
2.0T		10.98 -	141	
2.3T		10.98 -	125	B235E
2.3T		01.01 -	136	B235E
2.3 Turbo		10.99 - 09.01	169	B235R
2.3 Turbo	09.01 -	184	B235R	

CL800	
	OEM-No.
	VAZ 21120370501010
	2112-3705010-10

1 coil per cylinder

VAZ				
1117 Kalina Combi	1.4i 16V	06 -	65	VAZ 11170
1118 Kalina sedan	1.4i 16V	06 -	65	VAZ 11170
1119 Kalina hatchback	1.4i 16V	05 -	65	VAZ 11170
2110 Lada 110	1.6i 16V	10.04 -	72	VAZ 21124
2111 Lada 111	1.6i 16V	10.04 -	72	VAZ 21124
2112 Lada 112	1.6i 16V	10.04 -	72	VAZ 21124
2170 Priora sedan	1.6i 16V	09.07 -	72	VAZ 21124
2171 Priora Combi	1.6i 16V	05.09 -	72	VAZ 21124
2172 Priora hatchback	1.6i 16V	02.08 -	72	VAZ 21124

CL801

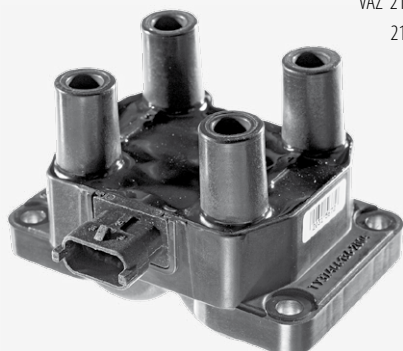


OEM-No.
 VAZ 2112-3705010-02
 2112-3705010-03
 2112-3705010-07

VAZ

21102 Lada 110	1.5i 8V	95 -	57	VAZ 2111
21103 Lada 110	1.5i 16V	98 -	66	VAZ 2112
2111 Lada 111	1.5i 8V	98 -	57	VAZ 2111
21113 Lada 111	1.5i 16V	99 -	66	VAZ 2112
2112 Lada 112	1.5i 16V	99 -	66	VAZ 2112
21122 Lada 112	1.5i 8V	99 -	57	VAZ 2111
2113 Samara 2	1.5i 8V	02 -	57	VAZ 2111
2114 Lada 114	1.5i 8V	01 -	57	VAZ 2111
2115 Lada 115	1.5i 8V	01 -	57	VAZ 2111

CL802



OEM-No.
 VAZ 21110-3705010
 21110-3705010-03

VAZ

1117 Kalina Combi	1.6i 8V	01.05 -	59	VAZ 21114
1118 Kalina sedan	1.6i 8V	01.05 -	59	VAZ 21114
1119 Kalina hatchback	1.6i 8V	01.05 -	59	VAZ 21114
21101 Lada 110	1.6i 8V	01.04 -	59	VAZ 21114
21112 Lada 111	1.6i 8V	01.04 -	59	VAZ 21114
21121 Lada 112	1.6i 8V	01.04 -	59	VAZ 21114

ALFA ROMEO	TESLA	BBT	TESLA	BBT	TESLA	BERU	TESLA	BERU	TESLA
46467542	CL318	IC 07111	CL210	IC 15126	CL104	0040100016	CL004	0040100317	CL124
46469863	CL305	IC 07112	CL222	IC 15127	CL141	0040100029	CL312	0040100318	CL125
46755605	CL307	IC 07113	CL209	IC 15128	CL112	0040100037	CL020	0040100319	CL126
46794782	CL321	IC 07114	CL227	IC 15129	CL133	0040100041	CL616	0040100320	CL301
60558152	CL302	IC 07115	CL215	IC 15130	CL138	0040100052	CL100	0040100321	CL311
60562701	CL320	IC 07116	CL229	IC 15131	CL139	0040100068	CL702	0040100322	CL310
60586072	CL319	IC 07117	CL230	IC 15133	CL105	0040100079	CL309	0040100323	CL105
60805420	CL300	IC 07118	CL224	IC 15136	CL115	0040100127	CL208	0040100324	CL602
60809492	CL300	IC 07119	CL212	IC 16100	CL500	0040100231	CL106	0040100337	CL521
60809606	CL302	IC 07121	CL223	IC 16101	CL501	0040100234	CL302	0040100338	CL215
60810690	CL320	IC 07122	CL217	IC 16102	CL508	0040100241	CL127	0040100339	CL614
71739725	CL221	IC 09102	CL601	IC 16103	CL535	0040100242	CL128	0040100340	CL606
76487970	CL302	IC 09103	CL600	IC 16104	CL536	0040100243	CL102	0040100341	CL107
7793212	CL306	IC 09107	CL602	IC 16105	CL538	0040100244	CL304	0040100342	CL203
AUDI		IC 09108	CL603	IC 16106	CL537	0040100245	CL103	0040100343	CL140
058905101A	CL028	IC 10101	CL305	IC 16107	CL509	0040100246	CL101	0040100344	CL207
058905105A	CL028	IC 10102	CL307	IC 16108	CL547	0040100247	CL108	0040100345	CL131
078905101C	CL026	IC 10103	CL306	IC 16109	CL557	0040100249	CL109	0040100346	CL132
BBT		IC 10104	CL321	IC 16110	CL505	0040100250	CL122	0040100347	CL135
IC 01100	CL121	IC 10105	CL320	IC 16111	CL510	0040100251	CL118	0040100348	CL112
IC 01102	CL119	IC 10106	CL319	IC 16112	CL511	0040100252	CL205	0040100349	CL115
IC 03100	CL001	IC 11100	CL201	IC 16113	CL554	0040100253	CL206	0040100350	CL401
IC 03101	CL003	IC 11101	CL211	IC 16114	CL521	0040100254	CL136	0040100351	CL133
IC 03102	CL005	IC 11102	CL220	IC 16115	CL522	0040100255	CL137	0040100352	CL138
IC 03103	CL014	IC 11103	CL204	IC 16117	CL532	0040100256	CL113	0040100353	CL139
IC 03104	CL002	IC 11104	CL225	IC 16118	CL541	0040100257	CL114	0040100354	CL116
IC 03105	CL018	IC 12101	CL700	IC 16120	CL531	0040100258	CL129	0040100356	CL513
IC 03106	CL004	IC 12102	CL702	IC 16121	CL544	0040100259	CL202	0040100358	CL213
IC 03108	CL006	IC 13100	CL300	IC 16122	CL529	0040100261	CL525	0040100359	CL217
IC 03109	CL019	IC 13101	CL304	IC 16123	CL556	0040100262	CL515	0040100361	CL307
IC 03110	CL011	IC 13103	CL316	IC 17100	CL506	0040100263	CL508	0040100511	CL558
IC 03111	CL015	IC 13104	CL315	IC 17102	CL513	0040100264	CL502	0040102019	CL121
IC 03112	CL022	IC 13105	CL312	IC 17108	CL502	0040100265	CL526	0040102020	CL315
IC 03113	CL010	IC 13106	CL301	IC 17109	CL503	0040100266	CL523	0040102021	CL510
IC 03114	CL007	IC 13107	CL310	IC 17110	CL525	0040100267	CL503	0040102025	CL201
IC 03115	CL021	IC 13110	CL317	IC 17111	CL526	0040100268	CL539	0040102026	CL200
IC 03116	CL027	IC 13111	CL311	IC 17112	CL514	0040100269	CL528	0040102029	CL010
IC 03117	CL008	IC 13112	CL302	IC 17113	CL520	0040100270	CL527	0040102030	CL003
IC 03118	CL023	IC 13113	CL314	IC 17114	CL515	0040100274	CL559	0040102031	CL022
IC 03119	CL028	IC 13114	CL309	IC 17116	CL528	0040100275	CL501	0040102032	CL015
IC 03120	CL020	IC 15100	CL100	IC 17117	CL527	0040100276	CL500	0040102033	CL011
IC 03123	CL016	IC 15101	CL106	IC 17119	CL551	0040100277	CL509	0040102037	CL119
IC 04102	CL604	IC 15103	CL107	IC 17120	CL524	0040100278	CL560	0040102039	CL008
IC 04106	CL607	IC 15105	CL113	IC 17121	CL546	0040100279	CL506	0040102040	CL007
IC 04107	CL616	IC 15107	CL103	IC 17122	CL565	0040100282	CL543	0040102043	CL005
IC 04108	CL606	IC 15108	CL128	IC 17123	CL555	0040100283	CL300	0040102044	CL016
IC 04109	CL605	IC 15109	CL108	IC 18100	CL400	0040100295	CL604	0040102045	CL104
IC 04110	CL610	IC 15110	CL114	IC 18103	CL408	0040100296	CL609	0040102046	CL141
IC 06100	CL701	IC 15111	CL109	IC 18104	CL405	0040100297	CL605	0040102047	CL111
IC 06101	CL705	IC 15112	CL122	IC 18105	CL406	0040100298	CL612	0040102048	CL120
IC 07100	CL207	IC 15113	CL124	IC 18106	CL403	0040100299	CL613	0040102056	CL554
IC 07101	CL206	IC 15114	CL129	IC 18107	CL407	0040100300	CL219	0040102059	CL009
IC 07102	CL202	IC 15115	CL118	IC 18108	CL404	0040100301	CL210	0040104100	CL149
IC 07103	CL205	IC 15116	CL137	ZK 15 102	CL110	0040100304	CL607	0040402001	CL001
IC 07104	CL200	IC 15117	CL102	ZK 15 104	CL134	0040100306	CL222	0040402002	CL019
IC 07105	CL203	IC 15118	CL123	ZK 15 106	CL111	0040100308	CL404	0040402003	CL002
IC 07106	CL213	IC 15120	CL116	ZK 15 132	CL120	0040100309	CL305	0040402004	CL021
IC 07107	CL214	IC 15121	CL127	ZK 15 134-075	CL149	0040100310	CL317	0040402008	CL026
IC 07108	CL218	IC 15123	CL132	ZK 15 137	CL117	0040100311	CL318	0040402009	CL014
IC 07109	CL221	IC 15124	CL140	BERU		0040100314	CL027	0040402010	CL540
IC 07110	CL219	IC 15125	CL135	0040100014	CL601	0040100315	CL123	0040402011	CL519

BMW	TESLA	BOSCH	TESLA	BOSCH	TESLA	BOUGICORD	TESLA	BOUGICORD	TESLA	
12 13 1 247 281	CL615	0 221 503 015	CL214	0 986 221 027	CL304	155026	CL001	155092	CL511	
12 13 1 317 232	CL601	0 221 503 017	CL222	0 986 221 028	CL308	155027	CL112	155095	CL320	
12 13 1 402 440	CL601	0 221 503 022	CL607	0 986 221 029	CL109	155028	CL520	155096	CL509	
12 13 1 402 713	CL601	0 221 503 024	CL106	0 986 221 030	CL136	155029	CL215	155097	CL021	
12 13 1 404 102	CL601	0 221 503 026	CL229	0 986 221 031	CL137	155030	CL132	155099	CL515	
12 13 1 404 309	CL600	0 221 503 027	CL230	0 986 221 032	CL509	155031	CL133	155103	CL017	
12 13 1 703 227	CL600	0 221 503 031	CL223	0 986 221 033	CL123	155032	CL104	155104	CL009	
12 13 1 703 228	CL600	0 221 503 033	CL610	0 986 221 034	CL110	155033	CL107	155106	CL023	
12 13 1 703 359	CL601	0 221 503 035	CL605	0 986 221 035	CL111	155034	CL106	155107	CL224	
12 13 1 703 825	CL600	0 221 503 407	CL302	0 986 221 036	CL134	155035	CL522	155109	CL024	
12 13 1 712 219	CL602	0 221 503 457	CL319	0 986 221 037	CL313	155036	CL610	155114	CL507	
12 13 1 712 223	CL602	0 221 503 468	CL218	0 986 221 038	CL316	155037	CL521	155115	CL216	
12 13 1 720 166	CL601	0 221 503 469	CL226	0 986 221 039	CL202	155038	CL203	155200	CL600	
12 13 1 726 176	CL601	0 221 503 471	CL217	1 227 030 059	CL306	155039	CL221	155400	CL601	
12 13 1 726 177	CL601	0 221 503 472	CL215	1 227 030 062	CL305	155040	CL138	155500	CL004	
12 13 1 726 178	CL601	0 221 503 485	CL403	1 227 030 071	CL307	155041	CL139	155900	CL006	
12 13 1 727 108	CL601	0 221 503 487	CL406	1 227 030 082	CL601	155042	CL140	156100	CL002	
12 13 1 729 842	CL601	0 221 503 489	CL615	9 220 081 505	CL122	155043	CL141	156200	CL100	
12 13 1 730 765	CL601	0 221 503 490	CL409	F 000 Z50 001	CL208	155044	CL404	156300	CL202	
12 13 1 730 766	CL601	0 221 504 006	CL317	F 000 Z50 103	CL300	155045	CL217	156500	CL113	
12 13 1 731 134	CL601	0 221 504 014	CL318	F 000 Z50 105	CL027	155046	CL218	156600	CL105	
12 13 1 731 884	CL601	0 221 504 017	CL521	F 000 Z50 111	CL206	155047	CL508	156800	CL127	
12 13 1 734 468	CL601	0 221 504 019	CL522	F 000 Z50 112	CL205	155048	CL201	157000	CL314	
12 13 1 748 017	CL600	0 221 504 020	CL542	F 000 Z50 113	CL114	155049	CL602	157100	CL315	
12 13 1 748 018	CL600	0 221 504 456	CL320	F 000 Z50 114	CL108	155050	CL131	157200	CL007	
12 13 1 748 394	CL601	0 221 504 460	CL311	F 000 Z50 115	CL118	155051	CL312	157300	CL301	
12 13 1 748 395	CL601	0 221 504 461	CL800	F 000 Z50 116	CL501	155052	CL200	157400	CL003	
12 13 1 777 666	CL601	0 221 504 464	CL602	F 000 Z50 117	CL513	155055	CL115	157500	CL005	
12 13 7 551 260	CL602	0 221 504 470	CL603	F 000 Z50 212	CL400	155056	CL304	157600	CL014	
12 13 7 562 744	CL603	0 221 505 423	CL404	BOUGICORD		155057	CL207	157700	CL015	
12 13 7 571 643	CL603	0 221 505 437	CL611	151401	CL130	155058	CL313	157800	CL022	
12 13 7 703 359	CL601	0 221 506 002	CL606	151402	CL117	155059	CL109	157900	CL011	
12 13 9 066 468	CL601	0 221 506 444	CL604	151405	CL134	155060	CL122			
1404309	CL600	0 221 601 012	CL119	151406	CL149	155061	CL118	BREMI	11722	CL128
1703227	CL600	0 221 603 003	CL028	154301	CL110	155062	CL205	11723	CL102	
1703825	CL600	0 221 603 010	CL002	154302	CL111	155063	CL129	11731	CL002	
1720166	CL601	0 221 604 006	CL407	154303	CL120	155064	CL206	11856T	CL601	
1726176	CL601	0 221 604 008	CL121	155001	CL317	155066	CL501	11860T	CL600	
1726177	CL601	0 221 604 014	CL554	155002	CL306	155067	CL700	11866T	CL006	
1726178	CL601	0 221 604 103	CL321	155003	CL213	155068	CL519	11869	CL004	
1726178B	CL601	0 221 604 109	CL015	155004	CL604	155069	CL019	11873	CL605	
1730765	CL601	0 986 221 000	CL001	155005	CL318	155070	CL607	11875	CL400	
1731134	CL601	0 986 221 001	CL100	155006	CL307	155071	CL513	11876	CL206	
1731178B	CL601	0 986 221 002	CL019	155007	CL702	155072	CL605	11877	CL118	
1748017	CL600	0 986 221 003	CL312	155009	CL405	155073	CL119	11878	CL108	
1748018	CL600	0 986 221 004	CL502	155010	CL401	155074	CL309	11879	CL114	
1748394	CL601	0 986 221 005	CL523	155011	CL400	155075	CL403	11880	CL109	
1777666	CL601	0 986 221 006	CL519	155012	CL010	155076	CL302	11881	CL106	
BOSCH		0 986 221 007	CL616	155013	CL128	155077	CL611	11882	CL107	
0 221 119 023	CL228	0 986 221 008	CL503	155014	CL102	155078	CL212	11883	CL302	
0 221 122 399	CL018	0 986 221 010	CL508	155015	CL123	155079	CL204	11884	CL129	
0 221 502 002	CL514	0 986 221 011	CL004	155016	CL116	155080	CL211	11885	CL506	
0 221 502 429	CL609	0 986 221 012	CL525	155017	CL300	155081	CL316	11886	CL500	
0 221 502 431	CL614	0 986 221 015	CL021	155018	CL136	155082	CL108	11887	CL508	
0 221 502 433	CL612	0 986 221 017	CL020	155019	CL137	155083	CL114	11888	CL509	
0 221 502 435	CL613	0 986 221 018	CL515	155020	CL310	155084	CL018	11889	CL559	
0 221 503 001	CL219	0 986 221 020	CL528	155021	CL135	155085	CL609	11890	CL543	
0 221 503 002	CL210	0 986 221 023	CL003	155022	CL214	155086	CL500	11892	CL019	
0 221 503 010	CL209	0 986 221 024	CL005	155023	CL311	155087	CL510	11893	CL001	
0 221 503 011	CL227	0 986 221 025	CL128	155024	CL701	155088	CL121	11896	CL205	
0 221 503 014	CL213	0 986 221 026	CL102	155025	CL124	155089	CL219	11898	CL304	

BREMI	TESLA	BREMI	TESLA	DAIHATSU	TESLA	ERA	TESLA	ERA	TESLA
11899	CL300	20189	CL215	90048-52093-000	CL563	880061	CL019	880127	CL406
11900	CL313	20190	CL404	90048-52095	CL563	880062	CL607	880128	CL306
11915	CL501	20191	CL520	90048-52095-000	CL563	880063	CL203	880129	CL305
11917	CL122	20192	CL536	90048-52098	CL563	880064	CL011	880130	CL218
11922	CL207	20193	CL203	90048-52099	CL563	880065	CL015	880131	CL319
11925	CL563	20195	CL610	ERA		880066	CL022	880132	CL320
11927	CL504	20197	CL318	880001	CL001	880067	CL702	880133	CL121
11929	CL312	20198	CL561	880003	CL002	880068	CL310	880134	CL321
11930	CL136	20200	CL124	880005	CL010	880069	CL703	880135	CL020
11931	CL137	20303	CL406	880006	CL003	880070	CL204	880136	CL208
11935	CL700	20304	CL503	880007	CL005	880071	CL520	880137	CL219
20110	CL602	20306	CL135	880008	CL300	880072	CL513	880138	CL523
20111	CL100	20307	CL606	880009	CL100	880073	CL112	880139	CL502
20113	CL005	20310	CL209	880010	CL314	880074	CL006	880140	CL524
20115	CL017	20311	CL227	880011	CL315	880075	CL212	880141	CL503
20116	CL009	20312	CL320	880012	CL304	880076	CL510	880142	CL525
20117	CL003	20313	CL405	880013	CL106	880077	CL402	880143	CL526
20121	CL023	20314	CL542	880014	CL107	880078	CL213	880144	CL527
20122	CL016	20315	CL505	880015	CL207	880079	CL307	880145	CL515
20124	CL024	20316	CL132	880016	CL113	880080	CL214	880146	CL528
20129	CL010	20317	CL553	880017	CL127	880081	CL004	880147	CL529
20130	CL014	20318	CL554	880018	CL103	880082	CL701	880148	CL530
20131	CL510	20320	CL112	880019	CL101	880084	CL132	880149	CL531
20132	CL021	20321	CL217	880020	CL128	880085	CL104	880150	CL532
20134	CL604	20322	CL511	880021	CL102	880086	CL115	880151	CL220
20135	CL515	20323	CL555	880023	CL108	880087	CL133	880152	CL533
20136	CL202	20324	CL537	880024	CL114	880088	CL134	880153	CL221
20137	CL525	20325	CL538	880026	CL109	880089	CL105	880155	CL534
20138	CL201	DACIA		880027	CL122	880090	CL308	880156	CL209
20139	CL408	60 00 592 931	CL117	880028	CL118	880091	CL309	880157	CL222
20141	CL558	60 01 543 604	CL116	880029	CL205	880092	CL117	880158	CL535
20142	CL123	60 01 544 755	CL117	880030	CL018	880093	CL311	880159	CL536
20143	CL523	DAEWOO		880031	CL129	880094	CL008	880160	CL537
20145	CL616	01115467	CL211	880032	CL206	880095	CL135	880161	CL538
20149	CL535	1115467	CL211	880033	CL007	880096	CL610	880162	CL539
20150	CL512	0001587003	CL604	880034	CL110	880097	CL605	880163	CL540
20151	CL557	0001587503	CL604	880035	CL111	880098	CL521	880164	CL541
20155	CL401	93363483	CL220	880036	CL130	880099	CL522	880165	CL612
20156	CL110	96165049	CL211	880037	CL014	880100	CL119	880166	CL009
20158	CL560	96253555	CL220	880038	CL301	880101	CL215	880169	CL407
20159	CL026	96291054	CL216	880039	CL202	880102	CL317	880170	CL142
20160	CL200	96320818	CL204	880040	CL200	880103	CL403	880171	CL210
20161	CL111	96336522	CL204	880042	CL316	880107	CL602	880172	CL229
20163	CL513	96350585	CL201	880043	CL312	880108	CL318	880173	CL230
20164	CL524	96453420	CL225	880044	CL201	880109	CL302	880174	CL223
20167	CL134	96566260	CL220	880045	CL600	880110	CL611	880175	CL542
20168	CL119	DAIHATSU		880046	CL601	880112	CL507	880176	CL224
20169	CL219	19500-87201	CL563	880047	CL604	880113	CL211	880179	CL613
20170	CL502	19500-87201-000	CL563	880048	CL400	880114	CL216	880180	CL606
20173	CL519	19500-87202	CL563	880049	CL401	880115	CL136	880182	CL408
20174	CL305	90048-52070	CL563	880050	CL609	880116	CL137	880183	CL543
20175	CL307	90048-52072	CL563	880051	CL123	880117	CL120	880184	CL544
20176	CL403	90048-52072-000	CL563	880052	CL500	880118	CL138	880185	CL504
20179	CL222	90048-52077	CL563	880053	CL501	880119	CL139	880186	CL505
20181	CL210	90048-52078	CL563	880054	CL506	880120	CL140	880187	CL545
20182	CL127	90048-52079	CL563	880055	CL508	880121	CL141	880188	CL546
20183	CL104	90048-52084	CL563	880056	CL131	880122	CL016	880189	CL225
20184	CL214	90048-52085	CL563	880057	CL700	880123	CL404	880190	CL547
20186	CL121	90048-52086	CL563	880058	CL116	880124	CL511	880191	CL704
20187	CL315	90048-52091	CL563	880059	CL519	880125	CL217	880192	CL614
20188	CL609	90048-52093	CL563	880060	CL124	880126	CL405	880193	CL409



ERA	TESLA	FACET	TESLA	FEBI BILSTEIN	TESLA	FIAT	TESLA	FORD	TESLA
880194	CL512	9.6133	CL506	21109	CL601	46755605	CL307	1459278	CL403
880195	CL021	9.6152	CL563	21524	CL116	46777286	CL301	1578771	CL405
880196	CL548	9.6172	CL207	21526	CL102	46777287	CL311	1649067	CL400
880197	CL549	9.6173	CL219	21527	CL128	46777288	CL310	19017114	CL408
880198	CL226	9.6175	CL124	21528	CL118	46790073	CL300	6181956	CL400
880199	CL227	9.6176	CL125	21529	CL123	46794782	CL321	6485687	CL404
880200	CL603	9.6177	CL126	21666	CL100	55180004	CL301	6485688	CL404
880201	CL550	9.6184	CL508	22038	CL003	55200112	CL309	6489415	CL408
880202	CL514	9.6213	CL320	22389	CL202	55200486	CL309	6503277	CL400
880203	CL551	9.6214	CL317	22581	CL106	60558152	CL302	6503278	CL400
880205	CL553	9.6216	CL606	22697	CL312	60562701	CL320	6503279	CL400
880206	CL125	9.6241	CL205	22875	CL124	60586072	CL319	6503280	CL400
880207	CL509	9.6244	CL504	23187	CL203	60809606	CL302	6630365	CL408
880208	CL615	9.6245	CL312	23258	CL011	60810690	CL320	6860288	CL400
880213	CL554	9.6252	CL600	23260	CL015	71739285	CL224	6860289	CL400
880220	CL705	9.62545	CL004	24106	CL005	71739725	CL221	6958305	CL408
880222	CL557	9.6255	CL136	24108	CL014	7553120	CL308	7053859	CL402
880224	CL558	9.6256	CL101	24435	CL135	7582152	CL304	157G 12029 AB	CL409
880225	CL559	9.6256	CL137	24496	CL134	7626232	CL300	157G 12029 AC	CL409
880230	CL560	9.6274	CL700	24500	CL009	76262320	CL300	257G 12029 AB	CL407
880240	CL616	9.6276	CL128	24997	CL111	7646974	CL308	257G 12029 AC	CL407
880243	CL555	9.6277	CL116	26014	CL200	7646975	CL303	257G 12029 AD	CL407
880247	CL561	9.6278	CL102	26494	CL130	7648797	CL302	4M5G 12029 ZA	CL403
880250	CL562	9.62795	CL401	26869	CL401	76487970	CL302	4M5G 12029 ZB	CL403
880253	CL563	9.6282	CL318	27132	CL002	7663177	CL304	4M5G 12A366 BA	CL405
880255	CL564	9.6284	CL315	27168	CL213	7672018	CL300	4M5G 12A366 BB	CL405
880258	CL556	9.6286	CL306	27522	CL217	7698431	CL304	4M5G 12A366 BC	CL405
880269	CL017	9.6287	CL305	28108	CL221	7746151	CL313	4M5G 12A366 BD	CL405
880270	CL023	9.6289	CL227	28148	CL212	7746152	CL304	457G 12029 AA	CL406
880273	CL565	9.6293	CL020	28465	CL019	7746153	CL308	457G 12029 AB	CL406
FACET		9.6297	CL307	28533	CL614	7746154	CL304	88SF 12029 A1A	CL400
9.6004	CL316	9.63035	CL110	28535	CL611	7753777	CL303	88SF 12029 A2A	CL400
9.6005	CL108	9.63055	CL111	28536	CL605	7789346	CL312	88SF 12029 AA	CL400
9.6006	CL114	9.6314	CL607	28538	CL606	9604137880	CL129	89BF 12024 A1B	CL400
9.6007	CL118	9.6317	CL605	28548	CL610	9607405480	CL107	85F12029A1A	CL400
9.6008	CL304	9.6323	CL309	28549	CL607	96228897	CL107	919F 12029 AA	CL408
9.6035	CL400	9.6325	CL017	28645	CL513	9622889780	CL107	91XF 12029 AA	CL404
9.6040	CL206	9.6326	CL011	28657	CL519	9633001580	CL135	91XF 12029 BA	CL404
9.6046	CL300	9.6327	CL015	28658	CL520	FORD		928F 12029 CA	CL400
9.6048	CL313	9.6329	CL005	29147	CL600	1008464	CL021	938F 12024 DA	CL400
9.6054	CL228	9.6332	CL100	29319	CL010	1008886	CL400	95VW 12029 AA	CL021
9.6055	CL109	9.6334	CL016	29412	CL004	1008887	CL400	95WF 12029 BA	CL402
9.6056	CL129	9.6335	CL023	30261	CL515	1018139	CL400	96FB12257AB	CL400
9.6058	CL308	9.6337	CL024	30266	CL204	1018140	CL400	988F 12024 AB	CL401
9.60625	CL601	9.6342	CL310	30268	CL501	1067601	CL401	988F 12029 AC	CL401
9.6068	CL302	9.6357	CL550	30713	CL525	1075786	CL401	988F 12029 AD	CL401
9.6068	CL544	9.6358	CL564	30971	CL400	1119835	CL409	988F12029AB	CL401
9.6070	CL408	9.6359	CL520	31143	CL405	1130402	CL401	988F1209AB	CL401
9.6078	CL609	9.6361	CL555	FIAT		12029CA	CL400	988F1209AC	CL401
9.6088	CL107	9.6374	CL003	07694335	CL303	1223293	CL407	E8TF12029AA	CL400
9.6089	CL106	9.6375	CL602	4439396	CL316	1224925	CL405	E8TZ-12029-A	CL400
9.6096	CL123	9.6380	CL405	46403328	CL317	1314271	CL405	E9SF 12029 AA	CL408
9.6099	CL513	9.6381	CL403	46446039	CL312	1317972	CL401	E9SZ 12029 A	CL408
9.6113	CL500	9.6389	CL554	46460582	CL314	1319788	CL409	E9TF-12029-AA	CL400
9.6114	CL501	9.8034	CL200	46467542	CL318	1322402	CL405	F1SU 12029 AA	CL408
9.6115	CL560	9.8114	CL001	46469863	CL305	1331283	CL023	F1VU12029A1A	CL400
9.6119	CL204	9.8120	CL002	46472440	CL312	1350562	CL403	F1VU12029A2A	CL400
9.6120	CL558	9.8123	CL119	46473849	CL315	1350567	CL406	F1VY12029A	CL400
9.6121	CL509	FEBI BILSTEIN		46480361	CL312	1360553	CL407	F37U23029AA	CL400
9.6128	CL122	17194	CL001	46543562	CL300	1362718	CL023	F37Z 12029 A	CL400
9.6129	CL559	19929	CL300	46548037	CL300	1458400	CL406	F5LU12029AA	CL400



FORD	TESLA	HÜCO	TESLA	HYUNDAI	TESLA	LANDROVER	TESLA	NISSAN	TESLA
F5LY 12029 A	CL400	13 3829	CL318	27300 39700	CL553	NEC 000110 L	CL702	22433-53J20	CL509
F5OU12029AA	CL400	13 3830	CL022	27300 39800	CL553	NEC 101000L	CL600	22433-55S10	CL509
F5OY12029A	CL400	13 3831	CL015	27301 02100	CL551	MAZDA		22433-56E11	CL509
F5OY12029B	CL400	13 3832	CL221	27301 02502	CL519	1E05 18 100	CL400	22433-56E12	CL509
F5RZ12029C	CL400	13 3833	CL616	27301 02600	CL523	1E05 18 100A	CL400	22448-00QAA	CL100
F5SU 12029 AA	CL408	13 3839	CL215	27301 22040	CL502	B121 18 10X	CL507	22448-00QAC	CL100
F5SZ12029A	CL408	13 3840	CL306	27301 22050	CL502	B541 18 10XA	CL507	22448-00QAC	CL116
YM21 12029 AC	CL023	13 3841	CL307	27301 22600	CL524	B542 18 10XA	CL507	22448-00QAE	CL100
GM		13 3842	CL138	27301 23003	CL503	B6S71810XA	CL506	22448-00QAH	CL100
01104038	CL201	13 3843	CL133	27301 23500	CL539	B6S81810XA	CL506	22448-1F700	CL521
10450424	CL201	13 3844	CL520	27301 23510	CL539	FSD718100	CL400	22448-2Y000	CL537
10458316	CL221	13 3846	CL555	27301-23700	CL565	JF01-18-100B	CL559	22448-2Y005	CL538
10490192	CL201	13 3847	CL016	27301 24510	CL508	ZZM018100	CL400	22448-31U01	CL535
3474200	CL228	13 3848	CL023	27301 24520	CL508	MERCEDES		22448-31U06	CL536
90536194	CL203	13 3849	CL314	27301 32800	CL525	000 150 17 80	CL616	22448-31U11	CL535
9268344	CL228	13 8416	CL019	27301 32810	CL525	000 150 28 80	CL616	22448-31U16	CL536
94404545	CL513	13 8419	CL001	27301 32820	CL525	000 150 02 80	CL604	22448-4M500	CL510
HONDA		13 8425	CL002	27301 33010	CL526	000 150 04 80	CL611	22448-6N000	CL511
30510-P73-A01	CL501	13 8430	CL200	27301 33020	CL526	000 150 13 80	CL610	22448-6N002	CL511
30510-P73-A02	CL501	13 8435	CL028	27301 37100	CL528	000 158 45 03	CL609	22448-6N010	CL511
30520-P8E-A01	CL550	13 8438	CL010	27301 37110	CL527	000 158 48 03	CL609	22448-6N011	CL100
30520-P8F-A01	CL550	13 8440	CL006	27301 37120	CL527	000 158 50 03	CL614	22448-6N012	CL511
30520-P8F-A02	CL550	13 8441	CL026	27301 38020	CL515	000 158 61 03	CL609	22448-6N015	CL511
30500-PM5-A02	CL500	13 8707	CL027	HQ808700	CL540	000 158 62 03	CL614	22448-AX001	CL534
30500-PM5-A03	CL500	13 8709	CL605	CHEVROLET		000 158 64 03	CL612	22448ED800	CL554
30500-PR4-A02	CL560	13 8710	CL607	96253555	CL220	000 158 65 03	CL613	22448ED800EP	CL554
30500-PTZ005	CL501	13 8711	CL611	96291054	CL216	000 158 68 03	CL611	22488-4M500	CL510
30510-PT2-006	CL501	13 8712	CL130	96453420	CL225	000 158 70 03	CL604	OPEL	
30520-PDF-E11	CL522	13 8730	CL300	KIA		000 158 71 03	CL604	09 119 567	CL203
30520-PGK-A01	CL550	13 8732	CL313	OK0-11-18-100	CL544	000 158 71 03	CL606	10 457 075	CL200
30520-PNA-007	CL556	13 8736	CL124	OK0-11-18-100	CL302	000 158 73 03	CL605	10 457 870	CL212
30520-PVF-A01	CL550	13 8738	CL123	OK013 18 100	CL548	000 158 75 03	CL604	10 458 316	CL221
30520-RAA-007	CL556	13 8750	CL118	OK201 18 10XB	CL504	000 158 75 03	CL606	11 03 872	CL200
30520-RAA-007	CL556	13 8752	CL109	OK201 18 10XC	CL504	000 158 78 03	CL605	11 03 905	CL200
HÜCO		13 8753	CL129	OK247 18 100A	CL505	003 158 50 01	CL021	12 08 002	CL205
13 3800	CL100	13 8754	CL108	OK30A 18 10X	CL529	A 000 150 02 80	CL604	12 08 003	CL206
13 3802	CL702	13 8756	CL106	OK30E 18 10X	CL530	A 000 150 04 80	CL611	12 08 004	CL205
13 3803	CL135	13 8757	CL136	OK9A2 18 10XB	CL545	A 000 150 17 80	CL616	12 08 007	CL209
13 3804	CL600	13 8758	CL137	OK9BV 18 10X	CL531	A 000 150 28 80	CL616	12 08 008	CL203
13 3805	CL004	13 8759	CL128	27301 02700	CL541	A 000 158 65 03	CL613	12 08 010	CL212
13 3806	CL005	13 8760	CL107	27301-02710	CL541	A 000 158 68 03	CL611	12 08 012	CL214
13 3807	CL003	13 8761	CL209	27301-23700	CL565	A 000 158 70 03	CL604	12 08 020	CL215
13 3809	CL202	13 8764	CL116	27301 26600	CL546	A 000 158 71 03	CL606	12 08 021	CL221
13 3810	CL203	13 8765	CL131	27301 33510	CL532	A 000 158 73 03	CL605	12 08 022	CL228
13 3811	CL601	13 8766	CL102	27301-37410	CL515	A 000 158 75 03	CL606	12 08 026	CL224
13 3812	CL009	13 8768	CL222	KK137-18-10XC	CL558	A 000 158 78 03	CL605	12 08 028	CL217
13 3813	CL604	13 8780	CL206	OK566 18 100	CL515	A 003 158 50 01	CL021	12 08 031	CL228
13 3814	CL606	13 8781	CL205	LANCIA		27301-24520	CL508	12 08 048	CL205
13 3815	CL213	13 8790	CL219	46467542	CL318	HQ808700	CL540	12 08 051	CL201
13 3816	CL214	13 8793	CL302	60558152	CL302	MD 104696	CL525	12 08 053	CL208
13 3817	CL110	13 8800	CL400	7588435	CL313	MD 113551	CL543	12 08 054	CL206
13 3818	CL111	13 8802	CL408	7588436	CL313	MD 114994	CL508	12 08 063	CL200
13 3819	CL104	13 8804	CL212	60809606	CL302	MD 126461	CL526	12 08 065	CL219
13 3820	CL127	13 8809	CL406	76487970	CL302	MD 131711	CL543	12 08 068	CL210
13 3821	CL113	13 8812	CL501	96 33 001 580	CL135	MD 158956	CL562	12 08 070	CL206
13 3822	CL610	13 8813	CL560	LANDROVER		MD 362907	CL547	12 08 071	CL207
13 3824	CL008	13 8814	CL500	ERR 6045	CL302	MD 362913	CL549	12 08 075	CL222
13 3825	CL602	13 8825	CL559	ERR 6566	CL302	NISSAN		12 08 209	CL229
13 3826	CL800	13 8842	CL525	NEC 000040	CL600	22433-08000	CL509	12 08 210	CL230
13 3827	CL301	13 8865	CL513	NEC 000070	CL702	22433-51J10	CL509	12 08 213	CL223
13 3828	CL014			NEC 000070 L	CL702			12 08 306	CL213

OPEL	TESLA	PSA	TESLA	RENAULT	TESLA	ROVER	TESLA	SMP	TESLA
12 08 307	CL202	5970 48	CL107	215952732	CL100	NEC 101000	CL600	12 626	CL205
12 08 551	CL224	5970 49	CL106	2526180A	CL100	NEC 101000L	CL600	12 635	CL408
12 08 553	CL224	5970 50	CL105	708633020-7	CL103	NEC 101010	CL600	12 637	CL319
12 567 686	CL224	5970 51	CL113	74 01 275 174	CL119	SAAB		12 639	CL609
12 569 342	CL224	5970 53	CL302	77 00 100 589	CL128	4226031	CL208	12 646	CL123
12 580 537	CL224	5970 55	CL132	77 00 100 643	CL102	4770046	CL210	12 649	CL513
19 005 212	CL202	5970 56	CL127	77 00 107 177	CL100	5171111	CL208	12 659	CL501
24 420 584	CL215	5970 57	CL140	77 00 107 269	CL123	55559955	CL705	12 660	CL560
24 420 622	CL217	5970 60	CL107	77 00 113 357	CL100	55562588	CL705	12 662	CL122
44 08 389	CL100	5970 64	CL603	77 00 113 357 A	CL100	9118567	CL203	12 667	CL507
44 13 223	CL100	5970 70	CL107	77 00 274 008	CL116	9197559	CL705	12 669	CL563
44 13 233	CL100	5970 72	CL110	77 00 749 450	CL122	SEAT		12 678	CL207
62 35 037	CL218	5970 73	CL115	77 00 854 306	CL124	867 905 104	CL001	12 679	CL124
62 35 124	CL226	5970 74	CL110	77 00 854 307	CL125	032 905 106 B	CL002	12 680	CL125
90 350 021	CL208	5970 75	CL112	77 00 858 320	CL126	SKODA		12 681	CL126
90 350 987	CL208	5970 77	CL135	77 00 863 020	CL103	004 050 016	CL001	12 683	CL525
90 358 386	CL210	5970 78	CL111	77 00 863 020	CL136	032 905 106 B	CL002	12 698	CL703
90 369 434	CL208	5970 79	CL111	77 00 863 021	CL137	047 905 104	CL008	12 700	CL312
90 424 480	CL218	5970 80	CL104	77 00 865 923	CL136	047 905 115	CL013	12 701	CL136
90 443 900	CL219	5970 81	CL141	77 00 872 265	CL124	047 905 104 A	CL007	12 702	CL137
90 444 184	CL210	5970 84	CL133	77 00 872 449	CL131	047 905 104 B	CL007	12 707	CL700
90 449 572	CL219	5970 87	CL138	77 00 872 692	CL125	115 914 010	CL012	12 709	CL519
90 449 739	CL206	5970 88	CL555	77 00 872 693	CL126	6N0 905 104	CL001	12 710	CL615
90 449 740	CL205	5970 90	CL120	77 00 872 834	CL131	SMART		12 711	CL100
90 458 250	CL207	5970 92	CL139	77 00 873 701	CL131	000 3100 V003	CL607	12 712	CL209
90 492 255	CL209	5970 94	CL135	77 00 875 000	CL100	000 3100 V004	CL607	12 713	CL222
90 510 386	CL206	5970 97	CL120	77 01 021 954	CL146	000 3100 V005	CL607	12 716	CL306
90 510 387	CL205	94 632 641	CL112	77 01 029 799	CL146	C 000 3100 V003	CL607	12 717	CL305
90511450	CL209	96 010 513	CL108	77 01 031 135	CL118	C 000 3100 V004	CL607	12 719	CL110
90 532 618	CL213	96 035 284	CL109	77 01 041 607	CL103	C 000 3100 V005	CL607	12 720	CL111
90 536 194	CL203	96 035 284 80	CL109	77 01 041 608	CL101	SMP		12 721	CL214
90 541 062	CL222	96 041 378	CL129	82 00 025 256	CL130	11 270	CL142	12 722	CL213
90 543 059	CL213	96 062 288	CL106	82 00 051 128	CL149	12 010	CL228	12 723	CL202
90 543 253	CL214	96 074 054	CL107	82 00 051 128	CL130	12 203	CL206	12 724	CL203
90 560 110	CL214	96 114 120 80	CL105	82 00 084 401	CL130	12 300	CL146	12 725	CL130
90 563 160	CL222	96 165 970 80	CL106	82 00 141 149	CL131	12 302	CL108	12 726	CL010
90 564 334	CL223	96 211 048	CL113	82 00 154 186	CL100	12 303	CL114	12 727	CL003
90 584 336	CL229	96 213 086	CL127	82 00 154 186 A	CL100	12 304	CL109	12 728	CL005
90 584 337	CL230	96 213 086 80	CL127	82 00 208 611	CL100	12 306	CL118	12 729	CL314
91 18 114	CL229	96 213 181	CL132	82 00 360 911	CL149	12 589	CL128	12 730	CL315
91 18 115	CL230	96 228 897	CL107	82 00 360 911	CL134	12 596	CL116	12 731	CL113
91 53 250	CL226	96 246 755	CL110	82 00 380 267	CL100	12 598	CL219	12 732	CL127
91 95 819	CL223	96 246 755 80	CL110	82 00 405 098	CL100	12 599	CL227	12 733	CL014
91 98 834	CL218	96 281 585	CL110	82 00 568 671	CL100	12 601	CL304	12 734	CL201
91 159 996	CL100	96 281 585 80	CL110	82 00 702 128	CL134	12 604	CL316	12 735	CL510
93 172 030	CL226	96 292 106	CL115	82 00 702 693	CL149	12 605	CL308	12 736	CL604
93 177 212	CL215	96 330 015 80	CL135	82 00 702 693	CL134	12 606	CL004	12 737	CL301
93 180 806	CL217	96 341 314	CL112	82 00 713 680	CL149	12 607	CL102	12 738	CL404
PORSCHE		96 341 314 80	CL112	82 00 734 204	CL149	12 608	CL601	12 739	CL704
955 602 101 05	CL016	96 358 648	CL111	82 00 765 882	CL100	12 610	CL509	12 740	CL007
959 602 502 00	CL612	96 358 649	CL111	9633001580	CL135	12 611	CL559	12 741	CL310
PROTON		96 362 683	CL135	ROVER		12 613	CL107	12 742	CL204
PW811201	CL302	96 363 378	CL104	GCL 161	CL500	12 614	CL400	12 743	CL317
PSA		96 363 378 80	CL104	GCL 195	CL501	12 615	CL543	12 744	CL318
5963 19	CL110	96 369 978 80	CL104	GCL 201	CL700	12 616	CL106	12 745	CL307
5963 19	CL111	96 543 470 80	CL120	GCL 307	CL600	12 617	CL508	12 747	CL112
5963.18	CL113	96 644 018 80	CL135	NEC 000040	CL600	12 618	CL500	12 748	CL212
5970 42	CL114	97 530 780	CL108	NEC 000070	CL702	12 619	CL300	12 749	CL104
5970 43	CL108	97 531 206	CL114	NEC 000110	CL702	12 620	CL313	12 750	CL115
5970 45	CL109	V7 562 744	CL603	NEC 100530	CL501	12 623	CL302	12 751	CL607
5970 47	CL129	V7 571 64380	CL603	NEC 100630	CL700	12 624	CL506	12 752	CL701

SMP	TESLA	SMP	TESLA	SWAG	TESLA	VOLVO	TESLA	VW	TESLA
12753	CL611	12829	CL321	60 92 4435	CL135	1275174	CL119	06B 905 115 M	CL005
12754	CL020	12831	CL226	60 92 6494	CL130	30713416	CL121	06B 905 115 N	CL005
12755	CL132	12832	CL554	60 92 6496	CL134	30731416	CL403	06B 905 115 R	CL005
12756	CL133	12846	CL603	62 92 2581	CL106	30731419	CL403	06B 9051 05	CL014
12758	CL602	12855	CL550	62 92 4996	CL110	31216444	CL403	06B 905 115	CL014
12759	CL223	12860	CL561	62 92 4997	CL111	31216444 AA	CL403	06B 905 115B	CL014
12760	CL610	12916	CL001	70 91 9929	CL300	3287677	CL118	06B 905 115E	CL014
12761	CL215	12917	CL200	70 92 2697	CL312	32876773	CL118	06C 905 115 B	CL005
12762	CL402	12918	CL019	81 92 8645	CL513	70863020	CL136	06C 905 115 D	CL005
12764	CL131	12919	CL002	81 92 8658	CL520	70863020-7	CL136	06C 905 115 E	CL005
12765	CL140	12921	CL119	85 93 0268	CL501	70863021	CL137	06C 905 115 F	CL005
12766	CL135	12922	CL021	89 93 0266	CL204	70863021-5	CL137	06C 905 115 G	CL005
12767	CL141	SSANG YONG		89 93 0267	CL216	9125601	CL121	06C 905 115 H	CL005
12768	CL605	000 158 70 03	CL606	90 92 8657	CL519	VW		06C 905 115 K	CL005
12769	CL320	000 158 75 03	CL604	90 93 0261	CL515	021 905 106	CL021	06C 905 115 L	CL005
12770	CL105	SUZUKI		90 93 0713	CL525	021 905 106 A	CL021	071 905 106	CL020
12772	CL403	33400-65G01	CL561	TOYOTA		022 905 100 B	CL016	078 905 101	CL006
12773	CL702	33410-66D00	CL533	90080-19005	CL514	022 905 100 E	CL016	078 905 101 A	CL006
12774	CL520	33410-66D01	CL533	90080-19005 00	CL514	022 905 100 H	CL016	078 905 104	CL006
12775	CL134	33410-77E11	CL512	90080-19017	CL542	022 905 100 L	CL016	07C 905 115J	CL022
12776	CL008	33410-77E21	CL557	90080-19017 00	CL542	022 905 100 N	CL023	07C 905 715	CL022
12777	CL521	33410-77E22	CL557	90080-19021	CL520	022 905 100 P	CL016	191 905 115 A	CL018
12778	CL009	SWAG		90080-9015	CL555	022 905 100 S	CL016	211 905 115 D	CL018
12779	CL211	10 92 8533	CL614	90080-9019	CL555	022 905 100 T	CL016	310 880 01	CL021
12782	CL405	10 92 8535	CL611	90919-02164	CL513	022 905 715	CL016	357 905 104	CL001
12783	CL011	10 92 8536	CL605	90919-02239	CL555	022 905 715 A	CL016	6N0 905 104	CL001
12784	CL224	10 92 8537	CL604	90919-02240	CL520	022 905 715 B	CL016	701 905 104	CL019
12785	CL311	10 92 8538	CL606	90919-02248	CL564	022 905 715 C	CL023	701 905 104 A	CL019
12788	CL023	10 92 8548	CL610	90919-T2002	CL555	032 905 106 B	CL002	811 905 115	CL018
12789	CL309	12 92 8549	CL607	90919-T2003	CL520	036 905 100 A	CL003	867 905 104 A	CL001
12790	CL016	20 92 1109	CL601	VAG		036 905 100 B	CL003	867 905 105 A	CL019
12791	CL024	20 92 9147	CL600	066 905 100 C	CL024	036 905 100 C	CL003		
12793	CL216	30 91 7194	CL001	066 905 100 D	CL024	036 905 100 D	CL003		
12794	CL138	30 92 2038	CL003	06C 905 115 E	CL015	032 905 106	CL002		
12795	CL139	30 92 4500	CL009	06E 905 115	CL015	036 905 715	CL003		
12796	CL120	30 92 7132	CL002	06E 905 115 A	CL015	036 905 715 A	CL003		
12797	CL217	30 92 7470	CL005	06E 905 115 B	CL015	036 905 715 C	CL003		
12798	CL511	30 92 8465	CL019	06E 905 115 C	CL015	036 905 715 E	CL003		
12799	CL121	30 92 8487	CL011	06E 905 115 D	CL015	036 905 715 F	CL003		
12800	CL218	30 92 9319	CL010	06E 905 115 E	CL015	03D 905 115 A	CL009		
12801	CL600	30 92 9412	CL004	06F 905 115	CL011	03D 905 115 B	CL009		
12802	CL221	32 92 3260	CL015	06F 905 115 A	CL011	03D 905 115 C	CL009		
12803	CL407	32 92 4108	CL014	06F 905 115 B	CL011	03D 905 115 D	CL009		
12804	CL230	40 92 2389	CL202	06F 905 115 C	CL011	03D 905 115 E	CL009		
12805	CL229	40 92 3187	CL203	06F 905 115 E	CL011	03D 905 115 F	CL009		
12806	CL210	40 92 6014	CL200	06F 905 115 F	CL011	03D 905 115 G	CL009		
12806	CL514	40 92 7168	CL213	077 905 115 Q	CL017	058 905 101	CL004		
12807	CL406	40 92 7522	CL217	077 905 115 S	CL017	058 905 101A	CL028		
12808	CL539	40 92 8108	CL221	07K 905 715	CL011	058 905 105	CL004		
12809	CL534	40 92 8148	CL212	07K 905 715 C	CL011	058 905 105A	CL028		
12810	CL533	50 92 1579	CL400	07K 905 715 D	CL011	06A 905 097	CL010		
12811	CL220	50 92 6869	CL401	07K 905 715 F	CL011	06A 905 104	CL010		
12812	CL515	50 93 1143	CL405	VAZ		06A 905 115	CL005		
12813	CL526	60 92 1524	CL116	2112-3705010-02	CL801	06A 905 115 A	CL005		
12814	CL503	60 92 1525	CL131	2112-3705010-03	CL801	06A 905 115 B	CL005		
12815	CL502	60 92 1526	CL102	2112-3705010-07	CL801	06A 905 115 C	CL005		
12816	CL523	60 92 1527	CL128	21120370501010	CL800	06B 905 115 D	CL005		
12819	CL542	60 92 1528	CL118	2112-3705010-10	CL800	06B 905 115 G	CL005		
12820	CL616	60 92 1529	CL123	2112-3705010-12	CL800	06B 905 115 H	CL005		
12821	CL015	60 92 1666	CL100	21110-3705010-03	CL802	06B 905 115 J	CL005		
12823	CL705	60 92 2875	CL124	21110-3705010	CL802	06B 905 115 L	CL005		

Contacts:
TESLA BLATNÁ, a.s.
Palackého 644
388 15 Blatná
Czech Republic

E-mail: sales@tesla-blatna.cz
<http://www.tesla-blatna.cz>

Phone: +420 383 415 354
Telefax: +420 383 415 300

Контактный адрес:
TESLA BLATNÁ, a.s.
Palackého 644
388 15 Blatná
Czech Republic

E-mail: sales@tesla-blatna.cz
<http://www.tesla-blatna.cz>

Тел: +420 383 415 354
Факс: +420 383 415 300

Kontakt:
TESLA BLATNÁ, a.s.
Palackého 644
388 15 Blatná

Prodej:
Telefon: 383 415 337
Telefax: 383 415 215

E-mail: prodej@tesla-blatna.cz
www.tesla-blatna.cz

Information included in this catalogue are up-to-date at the time of publication. TESLA BLATNÁ, a.s. reserves the right to change the construction or design of the product without notice.

TESLA BLATNÁ, a.s. оставляет за собой право на изменение конструкции и дизайна указанных изделий. Информации показанные в этом каталоге действуют в период его издания.

Informace obsažené v tomto katalogu jsou aktualizované k termínu jeho vydání. TESLA BLATNÁ, a.s. si vyhrazuje právo úpravy specifikace a nebo konečné formy výrobku bez předchozího upozornění.

1st edition: 07 - 2010
1. издание: 07 - 2010
1. vydání katalogu: 07 - 2010